

TABLE 1	
DASH NO	DESCRIPTION
-1	CAP (NO CHAIN)
-2	CAP WITH 2.5 INCH BRASS CHAIN
-3	CAP WITH 2.5 INCH NYLON CHAIN
-4	CAP WITH 3.0 INCH BRASS CHAIN
-5	CAP WITH 3.0 INCH NYLON CHAIN
-6	CAP WITH 6.0 INCH BRASS CHAIN
-7	CAP WITH 6.0 INCH NYLON CHAIN
-8	CAP WITH 4.0 INCH BRASS CHAIN
-9	CAP WITH 4.0 INCH NYLON CHAIN
-10	CAP WITH 10.0 INCH BRASS CHAIN
-11	CAP WITH 10.0 INCH NYLON CHAIN
-12	CAP WITH 2.5 INCH SST ROPE
-13	CAP WITH 3.0 INCH SST ROPE
-14	CAP WITH 6.0 INCH SST ROPE
-15	CAP WITH 4.0 INCH SST ROPE
-16	CAP WITH 7.0 INCH SST ROPE
-17	CAP WITH 4.5 INCH SST ROPE
-18	CAP WITH 12 INCH SST ROPE

TABLE 2	
MODEL NO	TYPE
RFI155	3-LUG
RFI155FL	4-LUG
RFI155SFL	4-LUG
RFI355	THREADED
RFI355S	THREADED

TABLE 3				
DASH NO	"A" DIA	"B" DIA	"C" DIM	"D" DIM
-02	.630	.750	1.066	.450
-03	.505	.625	.941	.388
-04	.439	.562	.878	.355
-05	.380	.500	.816	.325
-06	.317	.437	.753	.295
-07	.281	.406	.722	.278
-08	.610	.750	1.066	.450
-09	.567	.687	1.003	.419
-010	.192	.312	.628	.231
-011	1.005	1.125	1.441	.638
-008	.330	.450	.766	.300

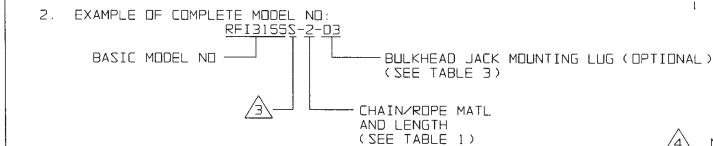
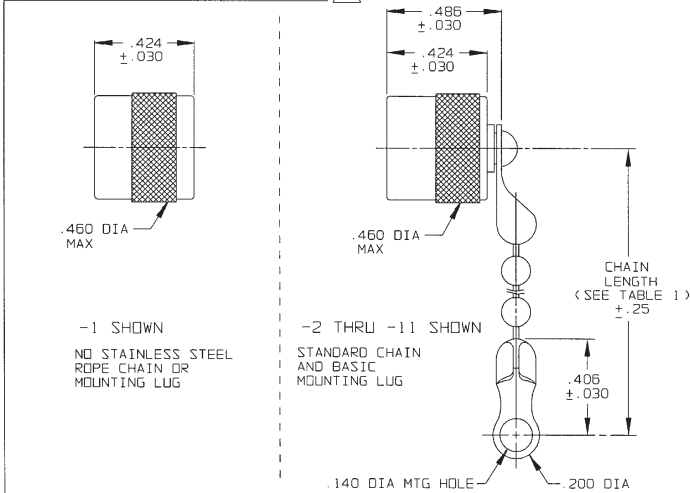
DATA CONTAINED IN THIS DOCUMENT IS PROPRIETARY TO TROMPETER ELECTRONICS INC AND SHALL NOT BE DISCLOSED, COPIED OR USED FOR REPRODUCTION BY MANUFACTURERS WITHOUT EXPRESS WRITTEN PERMISSION OF TROMPETER ELECTRONICS INC.

REVISIONS

REV	DESCRIPTION	DATE	APPROVED
M	REVISED PER ECO 15018	4-10-03	MM

1-0151 SH 1

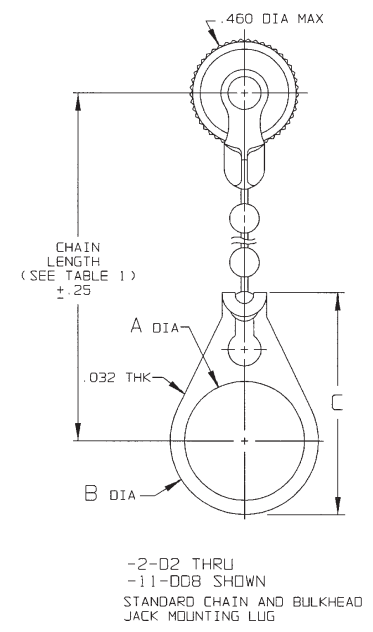
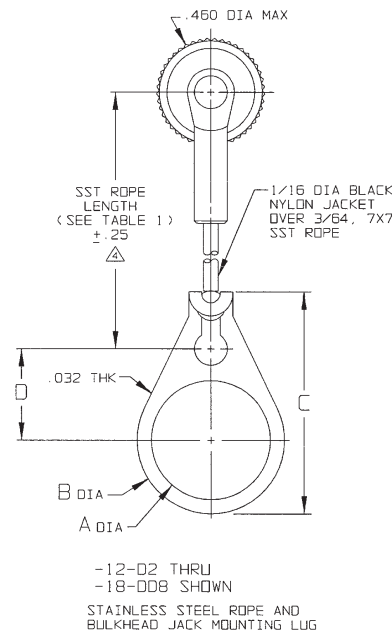
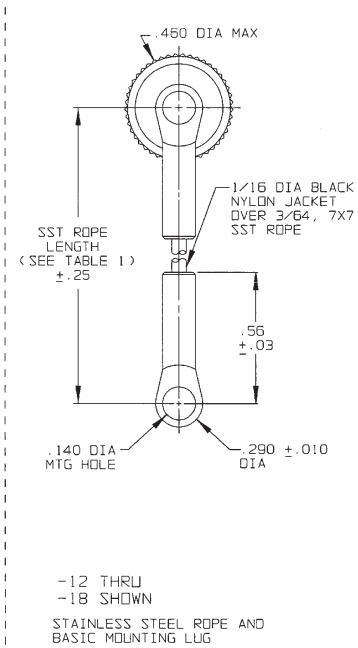
RED INDICATES ORIGINAL



1. MALE 3 & 4-LUG & THREADED STYLE SUBMINIATURE RFI DUST CAP WITH OR WITHOUT CHAIN OR JACKETED STAINLESS STEEL ROPE AND MOUNTING OPTION

△ NOTE THAT CHAIN LENGTH FOR SST ROPE WITH MOUNTING LUG OPTION IS NOT MEASURED TO CENTER OF BULKHEAD MOUNTING LUG

△ IF SAFETY WIRE REQUIRED ADD SUFFIX "S" TO MODEL NO. (i.e. RFI3155S)



INTERPRET DRAWING PER	TOL: UNLESS SPECIFIED
NO. 510-100	XX
DIMENSIONS ARE IN INCHES	XXX ±.005
NO INCLUDE FINISH DIMENSIONS	XXXX
UNLESS OTHERWISE SPECIFIED	ANGLES
DRAWN: AAH	DATE: 4-9-03
CHECKED: [Signature]	MATERIAL:
DATE: 4/9/03	TITLE: RFI55/RFI155/ RFI55FL/RFI155FL/ RFI355/RFI3155
QUALITY: [Signature]	DATE: 4/10/03
DATE: 4/10/03	FINISH:
APPROVED: [Signature]	DATE: 4/10/03
CAD FILE NO: 1-0151M	DO NOT SCALE DWG



TITLE: RFI55/RFI155/
RFI55FL/RFI155FL/
RFI355/RFI3155

SIZE: B	CAGE CODE: 14949	DRAWING NO: 1-0151	REV: M
SCALE: 2/1	DATE: 2-22-77	SHEET: 1C	

NEXT ASSY	CAD FILE NO: 1-0151M	DO NOT SCALE DWG
-----------	----------------------	------------------

Mouser Electronics

Authorized Distributor

Click to View Pricing, Inventory, Delivery & Lifecycle Information:

[Cinch Connectivity Solutions:](#)

[RFI155-12-D4](#) [RFI155-1](#) [RFI155-13-D4](#) [RFI155-7](#)