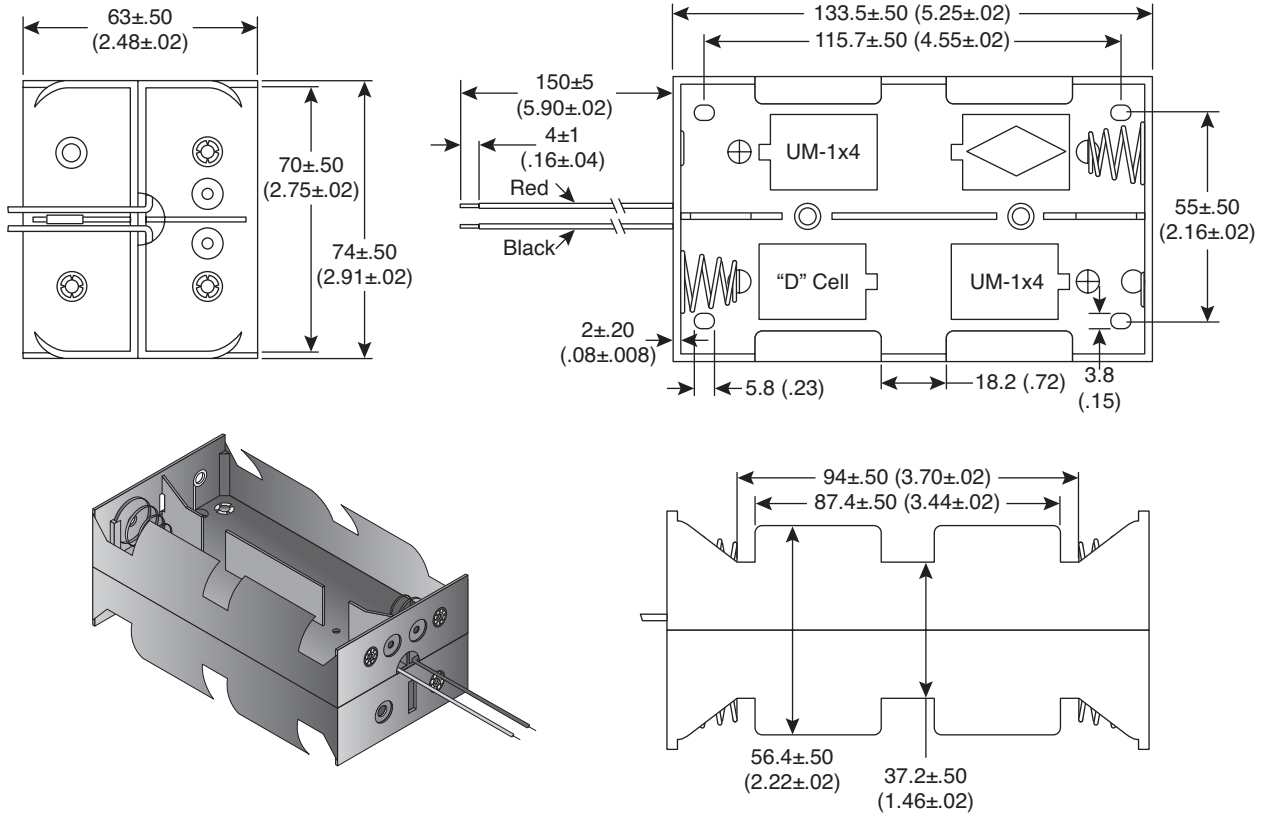


Date Last Revised: 4-4-12



**DIMENSIONS: mm (in.)**

SPECIFICATIONS	
Wire:	AWG#24
Black & Red:	150mm+5mm
Strip & Tin:	5mm±1mm
Material:	P.P. Resin, Black Color
Spring:	1.0mm 65C Spring Wire
RoHS Compliant	

**Available from Mouser Electronics**  
1-800-346-6873 / [www.mouser.com](http://www.mouser.com)

EPD-200875

# Mouser Electronics

Authorized Distributor

Click to View Pricing, Inventory, Delivery & Lifecycle Information:

[Eagle Plastic Devices:](#)

[12BH182A-GR](#)