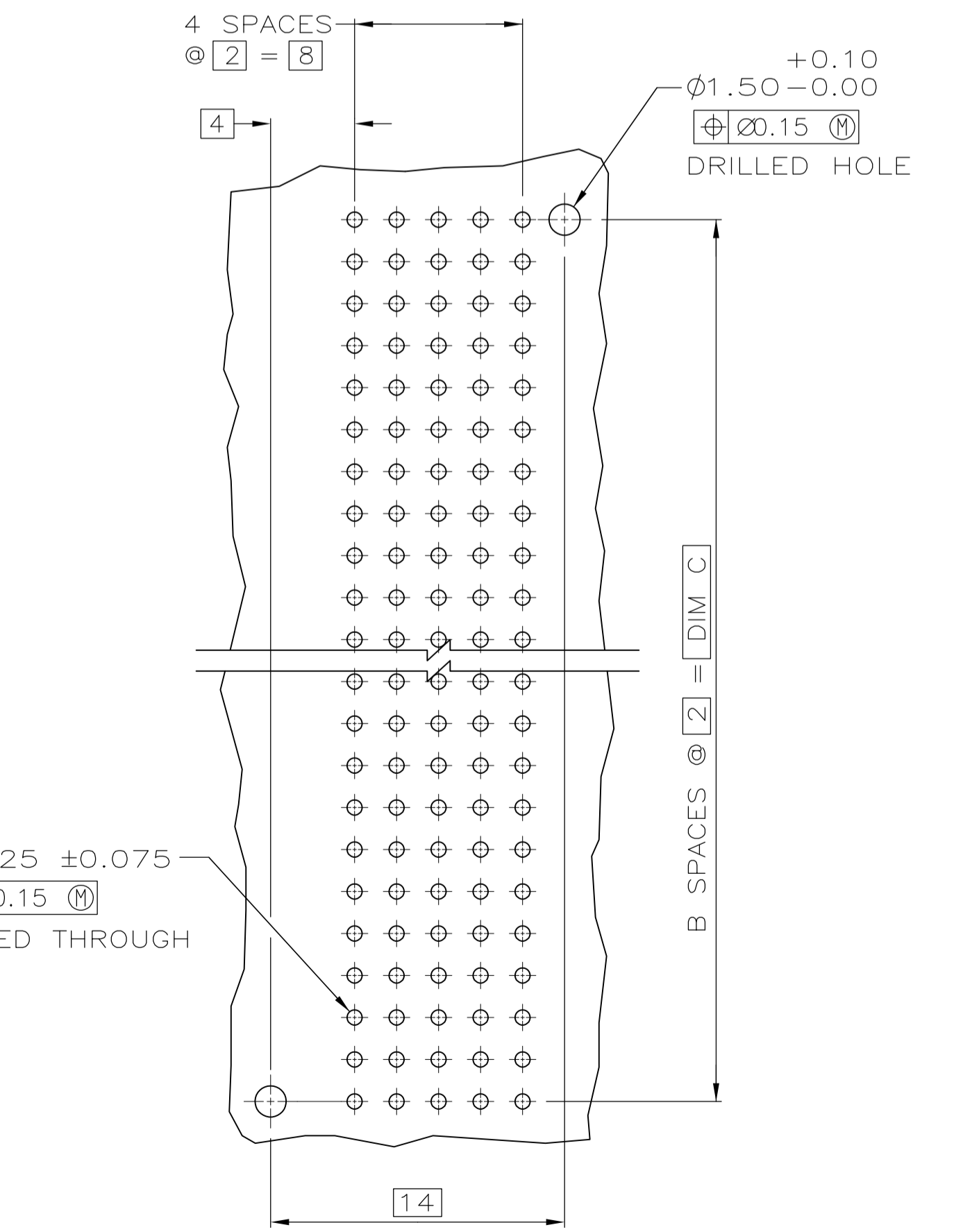
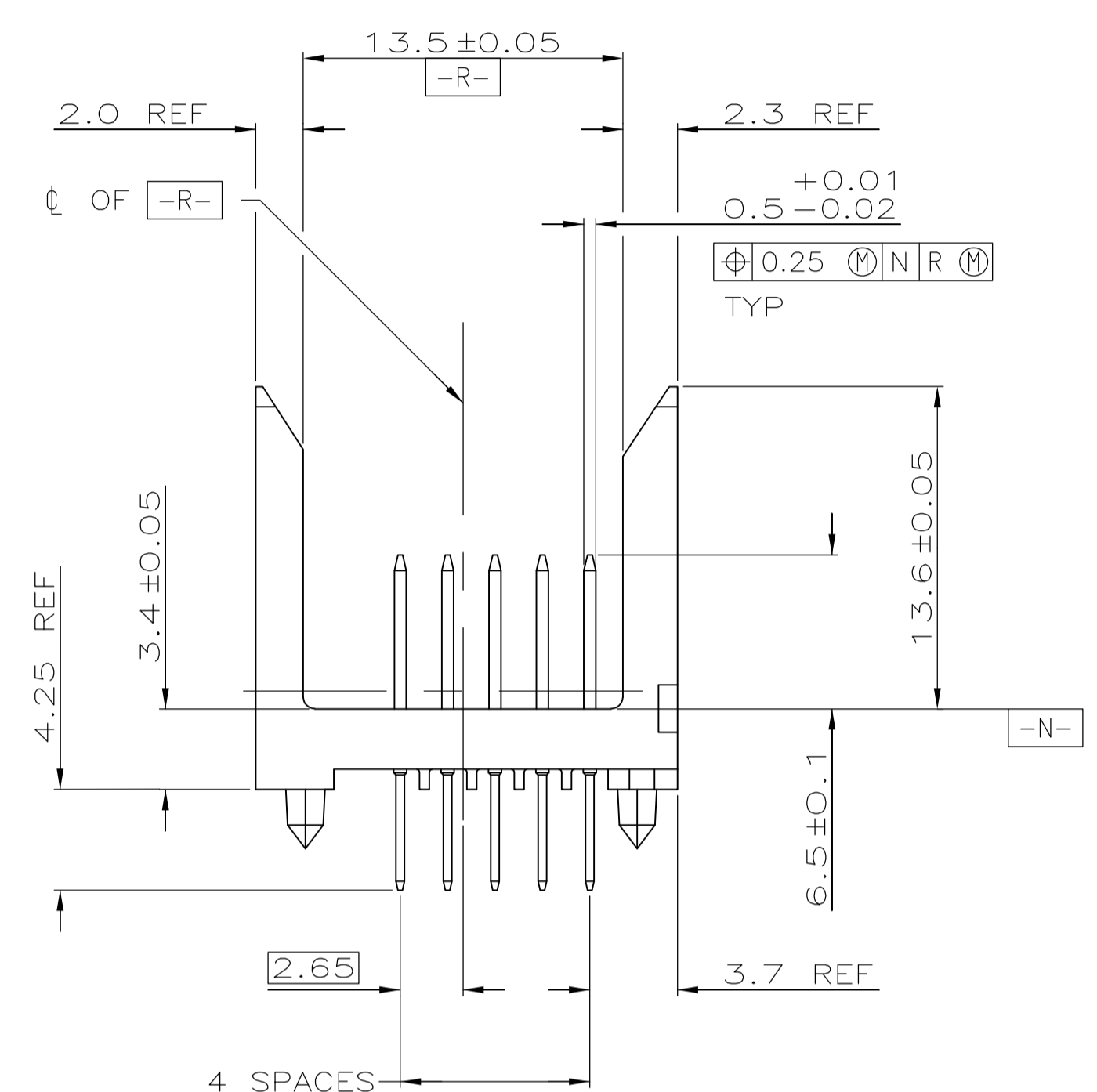
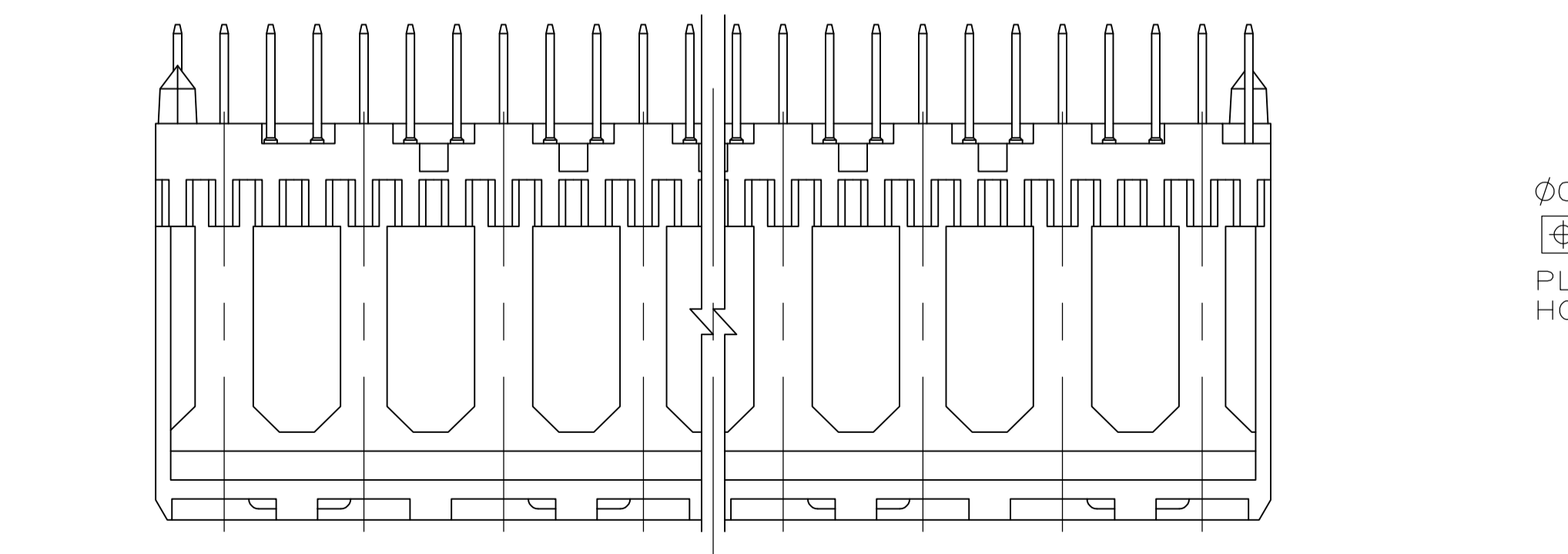
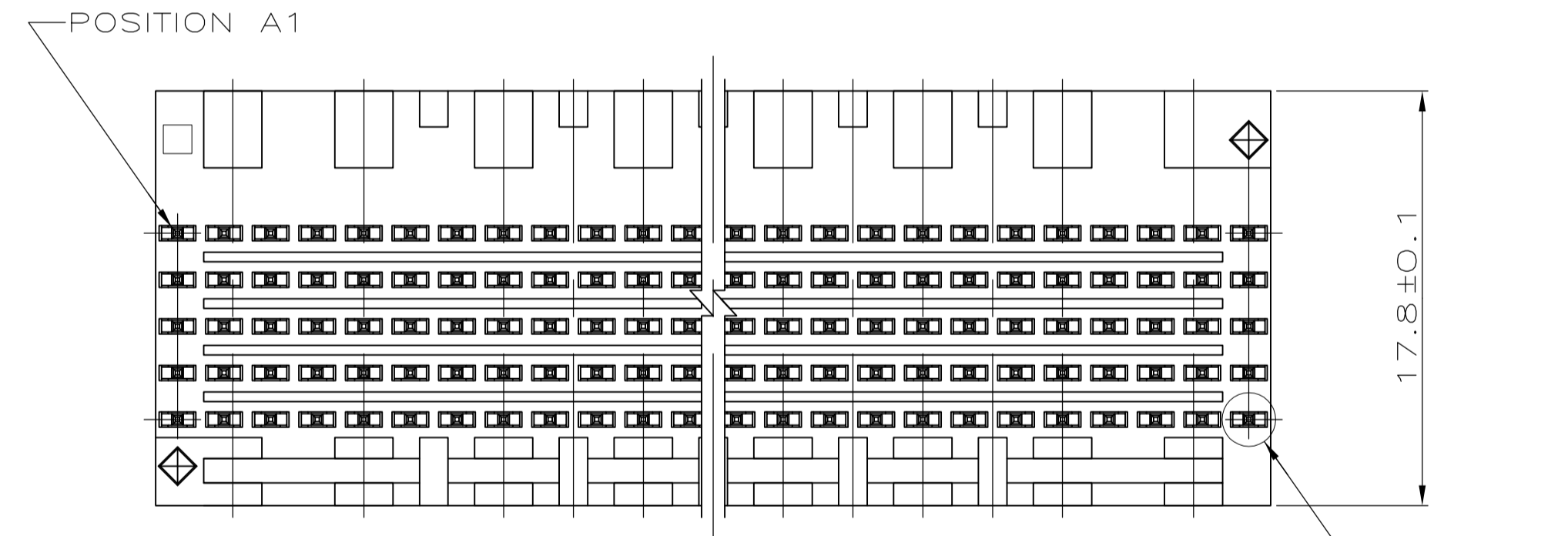
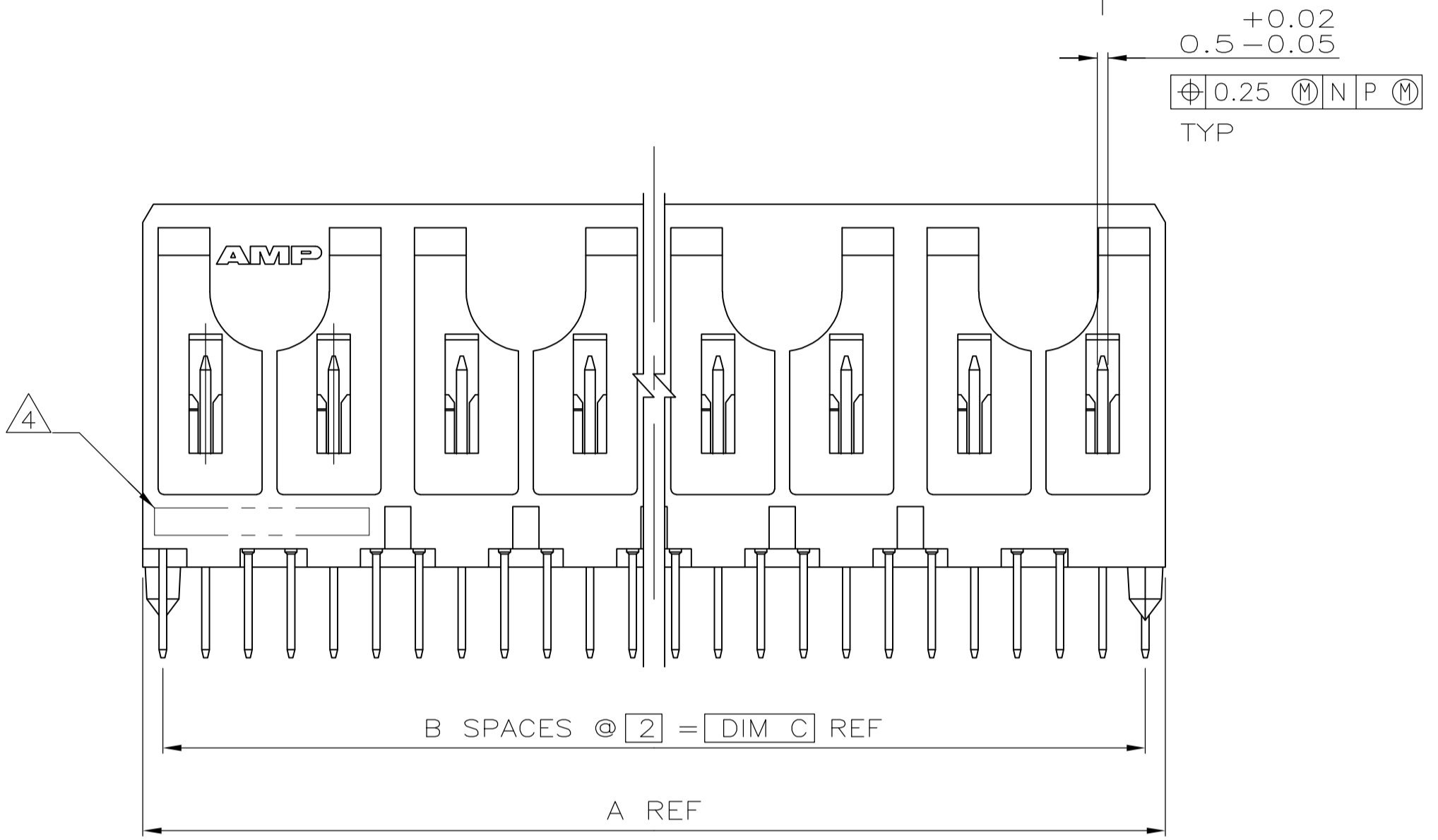
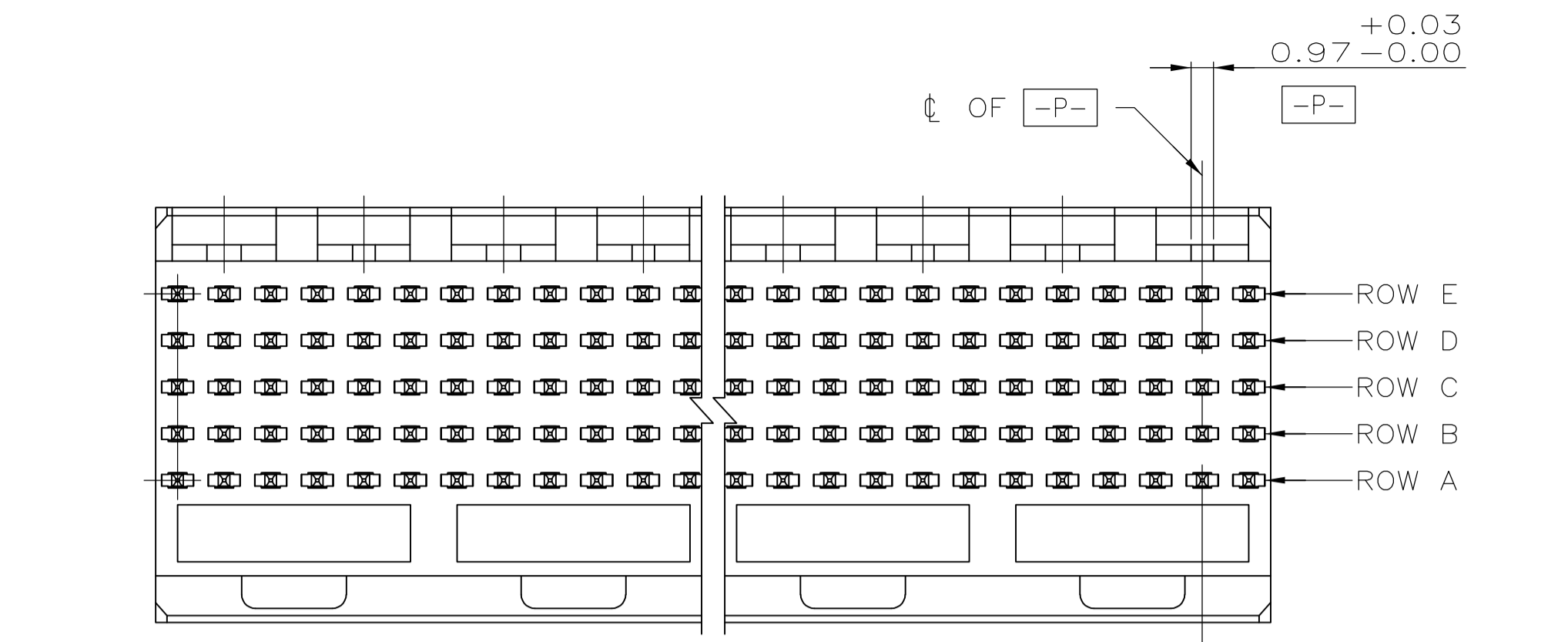
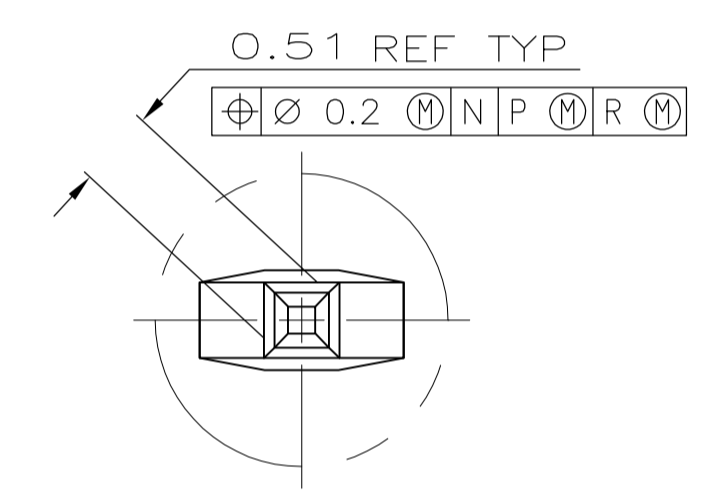


REVISONS		DATE	DMN	APVD
AD	47			
C	REVISED PER EC 0512-0278-05	21JUL05	JDP	RW
C1	REVISED PER ECO-10-000444	16JAN10	KK	AEG



RECOMMENDED CIRCUIT PATTERN (COMPONENT SIDE)

- ① HOUSING MATERIAL: LIQUID CRYSTAL POLYMER
COLOR: NATURAL.
- ② CONTACT MATERIAL: PHOSPHOR BRONZE
- ③ CONTACT FINISH:(A)
UNDERPLATE (ENTIRE CONTACT):
0.00127 MIN NICKEL PER SAE-AMS-QQ-N-290
ON MATING SURFACES:
CONFORMS TO ALL TESTING SPECIFIED FOR TELCORDIA
UNCONTROLLED ENVIRONMENT.
ON LEADS:
0.00381 MIN MATTE TIN PER ASTM B 545 OVER UNDERPLATE.
LUBRICATION (MIN MATING SURFACES):
SURFACE CONDITIONER AFTER PLATING.
- ④ PART MARKING LOCATED APPROXIMATELY AS SHOWN.
- ⑤ OBSOLETE PARTS: OBSOLETE CIS STREAMLINING PER D.RENAUD/D.SINISI



FINISH	NO OF SIGNAL POSN	PART NUMBER
③	130	65
③	118	59
③	106	53
③	94	47
③	82	41
③	70	35
③	58	29
③	46	23
③	34	17
③	22	11
③	10	5
③	330	1-5223000-1
③	300	1-5223000-0
③	270	-5223000-9
③	240	5223000-8
③	210	-5223000-7
③	180	-5223000-6
③	150	5223000-5
③	120	-5223000-4
③	90	5223000-3
③	60	5223000-2
③	30	5223000-1

THIS DRAWING IS A CONTROLLED DOCUMENT.

DIMENSIONS: mm
 TOLERANCES UNLESS OTHERWISE SPECIFIED:
 0 PLC ± -
 1 PLC ± -
 2 PLC ± 0.13
 3 PLC ± -
 4 PLC ± -
 ANGLES ± -

MATERIAL: ① ② ③
 FINISH: ③

THIS DRAWING IS A CONTROLLED DOCUMENT.
 DWN: B.MCMMASTER 19NOV04
 CHK: R.WERTZ 19NOV04
 APVD: R.WERTZ 19NOV04
 NAME: R.WERTZ 19NOV04
 PRODUCT SPEC: -
 APPLICATION SPEC: -
 WEIGHT: -
 CUSTOMER DRAWING: -

Tyco Electronics Corporation
 Harrisburg, Pa 17105-3608
 Tyco Electronics
 ASSEMBLY, PIN, SIGNAL, VERTICAL,
 Z-PACK 2mm FB, 5 ROW,
 SOLDER LEAD

SIZE: A1
 CASE CODE: 00779
 DRAWING NO: C=5223000
 RESTRICTED TO: -
 SCALE: 4:1
 SHEET: 1 of 1
 REV: C1

Mouser Electronics

Authorized Distributor

Click to View Pricing, Inventory, Delivery & Lifecycle Information:

[TE Connectivity:](#)

[5223000-2](#)