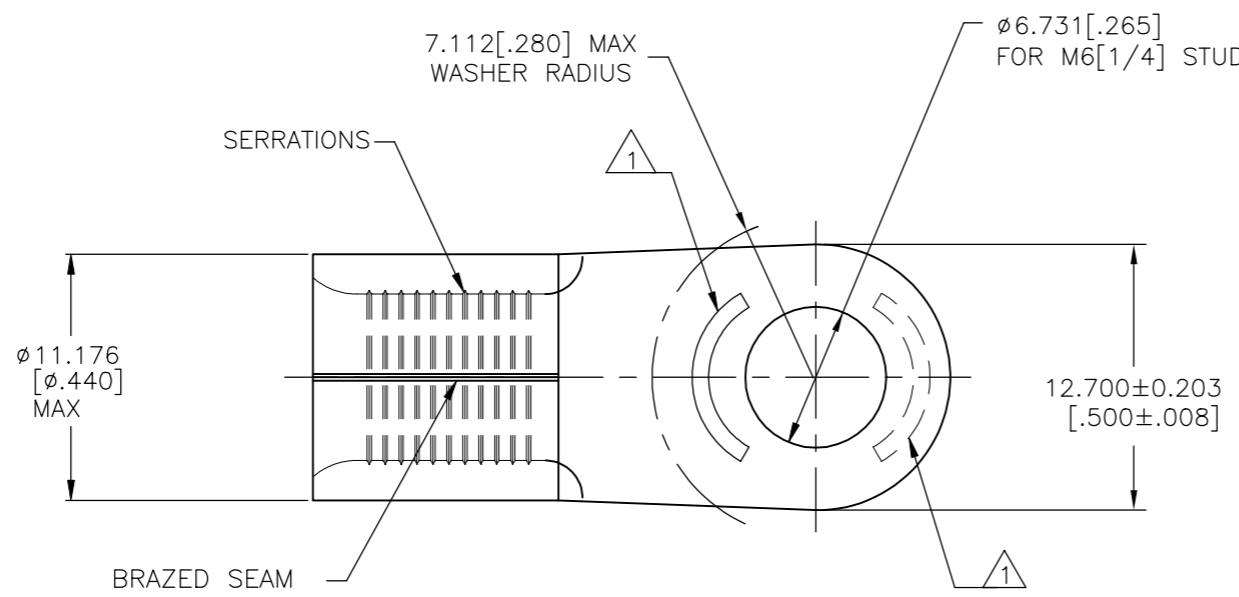


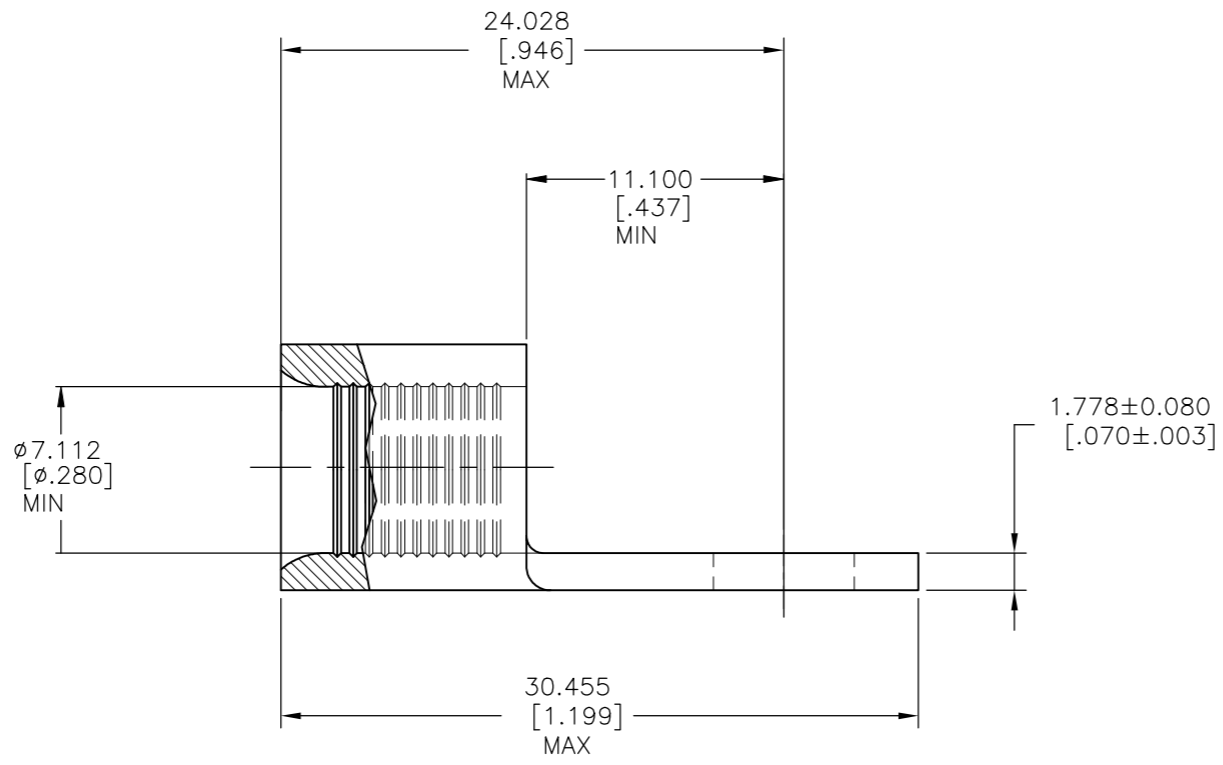
THIS DRAWING IS UNPUBLISHED. RELEASED FOR PUBLICATION  
 © COPYRIGHT - By - ALL RIGHTS RESERVED.

REVISIONS					
P	LTR	DESCRIPTION	DATE	DWN	APVD
C2		REVISED PER ECR-17-000596	31JAN2017	BDA	DR
C3		REVISED PER ECO-18-013298	22AUG2018	RS	DR



**AMP**  
 WIRE RANGE  
 4 AWG  
 SOLID OR STRANDED

△ 1 STAMP AMP 4W\* 40-50 APPROX AS SHOWN



**AMP INCORPORATED**  
 CUSTOMER SERVICE SYSTEMS

MAX RECOMMENDED OPERATING TEMPERATURE:  
 343°C [649°F] MAX

FOR ADDITIONAL PRODUCT INFORMATION OR COPIES OF DRAWINGS AND TECHNICAL DOCUMENTS  
 FOR APPLICATION TOOLING INFORMATION  
 FOR ORDER ENTRY

PRODUCT INFORMATION CENTER 1-800-522-6752  
 TOOLING ASSISTANCE CENTER 1-800-722-1111  
 1-800-526-5142

VOLTAGE RATING:  
 NOT APPLICABLE  
 WIRE CROSS SECTIONAL AREA RANGE:  
 16.8-26.7MM² [33,100-52,600] CIR MILS  
 SOLID OR STRANDED  
 THIS DRAWING IS A CONTROLLED DOCUMENT FOR AMP INCORPORATED. IT IS SUBJECT TO CHANGE AND THE CONTROLLING ENGINEERING ORGANIZATION SHOULD BE CONTACTED FOR THE LATEST REVISION.

100	LOOSE PIECE	323173
QTY.	PACKAGE TYPE	PART NO.

THIS DRAWING IS A CONTROLLED DOCUMENT.		DWN TA BRINKMAN 4-19-93	<b>STE</b> TE Connectivity Ltd.	
DIMENSIONS: mm [INCHES]		CHK DA PATTERSON 4-19-93		
TOLERANCES UNLESS OTHERWISE SPECIFIED:		APVD DE MILLER 4-19-93	NAME	
0 PLC ± -		PRODUCT SPEC	TERMINAL, RING TONGUE, HEAT RESISTANT, STRATO-THERM™ 4 AWG	
1 PLC ± -		APPLICATION SPEC	SIZE CAGE CODE DRAWING NO RESTRICTED TO	
2 PLC ± -		WEIGHT -	A2 00779 C-323173	
3 PLC ± 0.127[.005]		CUSTOMER DRAWING	SCALE 4:1 SHEET 1 OF 1 REV C3	
4 PLC ± -				
ANGLES ± -				
MATERIAL COPPER PER ASTM B-152 ANNEALED		FINISH NICKEL PLATE 0.00762[.000300] MIN THK PER QQ-N-290		