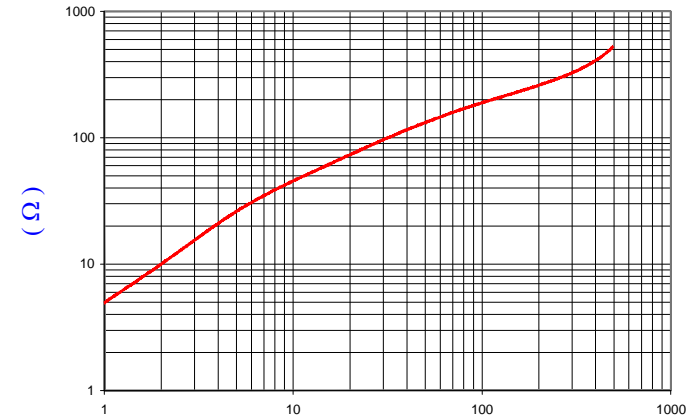


IMPEDANCE (Z)			
Frequency	25 MHz	100 MHz	300 MHz
Nominal (REF)	75 Ω	170 Ω	320 Ω
Minimum	- Ω	136 Ω	- Ω

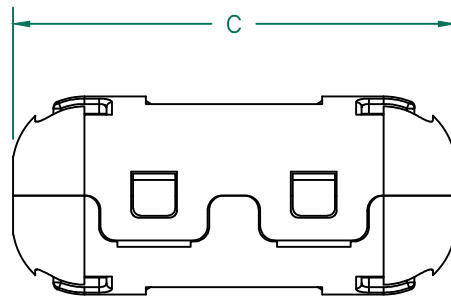
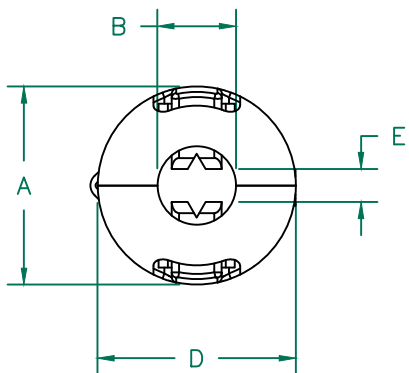
Z vs. FREQUENCY
(REF. ONLY)



FERRITE CORE DIMENSIONS:

A	9.96 [.392]	\pm	0.15 [.006]
B	4.88 [.192]	\pm	0.13 [.005]
C	20.50 [.807]	\pm	0.25 [.010]
D	4.14 [.163]	\pm	0.13 [.005]

UNCONTROLLED DOCUMENT



FREQUENCY (MHz)

AGILENT E4991A Impedance/Material Analyzer
HP 16092A-Test Fixture REF 3219

NOTES:

1. ASSEMBLED PART #: 28A0392-0A0
2. CASE COLOR: WHITE
3. CASE MATERIAL: HALOGEN FREE POLYPROPYLENE OR NYLON, UL94 V=2 OR BETTER FOR FLAMMABILITY
4. COSMETIC SPECIFICATION REFER TO WI-QA-038.

CASE DIMENSIONS:

A	13.72 [.540]	\pm	REF.
B	5.44 [.214]	\pm	REF.
C	30.56 [1.203]	\pm	REF.
D	13.72 [.540]	\pm	REF.
E	2.29 [.090]	\pm	REF.

DIMENSIONS ARE IN mm [INCHES].				This print is the property of Laird Tech. and is loaned in confidence subject to return upon request and with the understanding that no copies shall be made without the written consent of Laird Tech. All rights to design or invention are reserved.					
REV	DESCRIPTION	DATE	INT						
Z	UPDATE COMPANY LOGO, ADD NOTE 4	08/21/14	QIU	PROJECT/PART NUMBER: 28A0392-0A0		REV	Z	PART TYPE: FERRITE SNAP ON	DRAWN BY: DTR
Y	ADD NOTES 3	10/29/10	Jcai			SCALE:	NTS	MATERIAL:	Ferrite
X	UPDATE COMPANY LOGO	08/11/09	JRK			DATE:	09/02/94	TOOL #	-
W	UPDATE 100MHz MINIMUM VALUE	06/26/07	TMB			CAD #	28A0392-0A0-Z		
V	UPDATE COMPANY LOGO	04/17/07	TMB						
U	CHANGE CASE TOLERANCES TO REF ADD DIMENSION E TO CASE CALLOUT RE-MOVE CORE & CASE REF REVISE NOTES	02/05/07	TMB						
T	UPDATE CORE AND CASE DESIGN REVISE NOTES	09/22/05	TMB						
REV	DESCRIPTION	DATE	INT						

Mouser Electronics

Authorized Distributor

Click to View Pricing, Inventory, Delivery & Lifecycle Information:

Laird:

[28A0392-0A0](#)