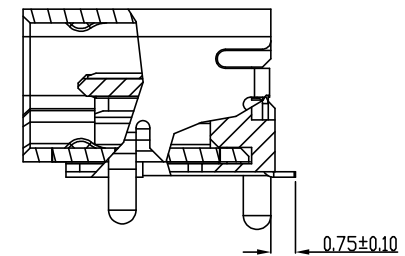
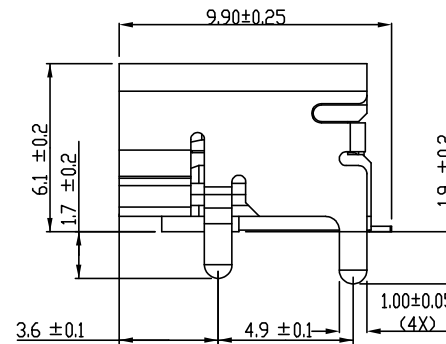
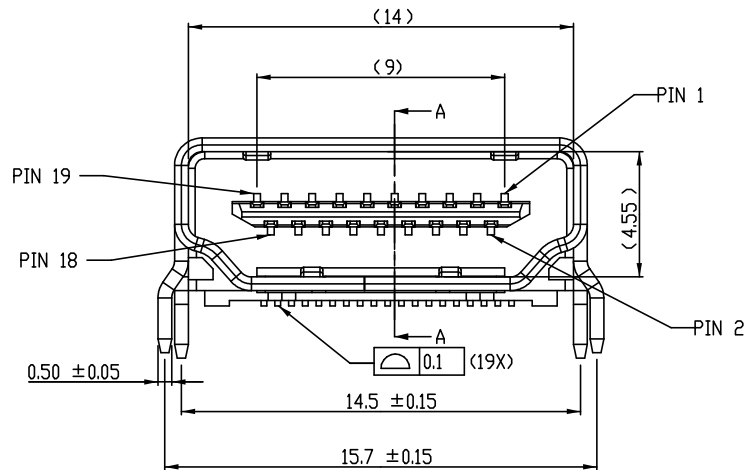
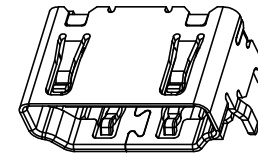
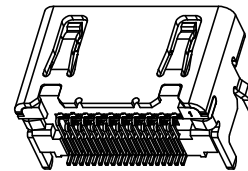
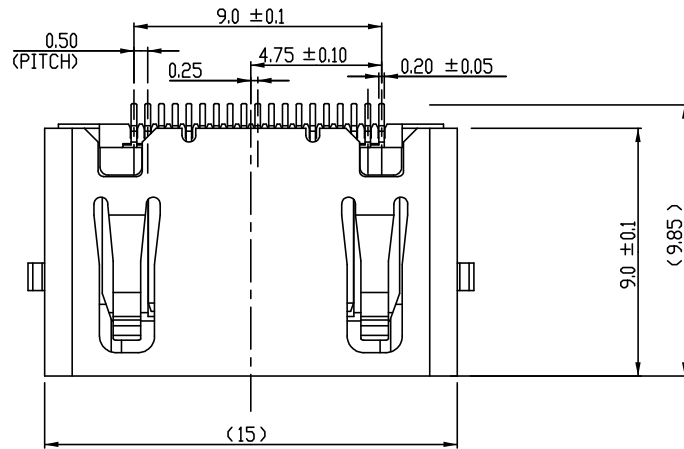


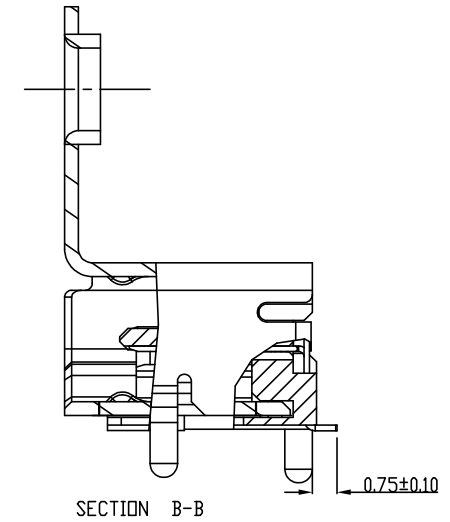
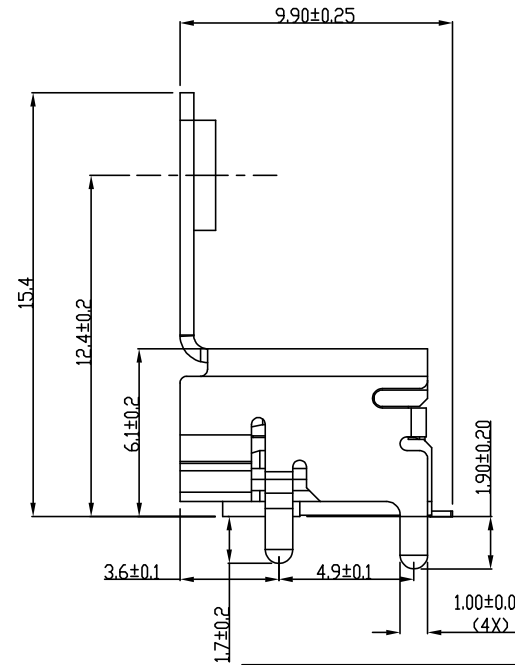
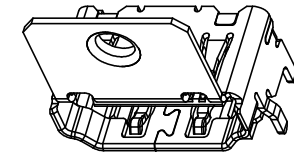
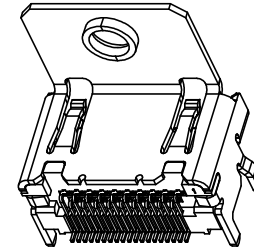
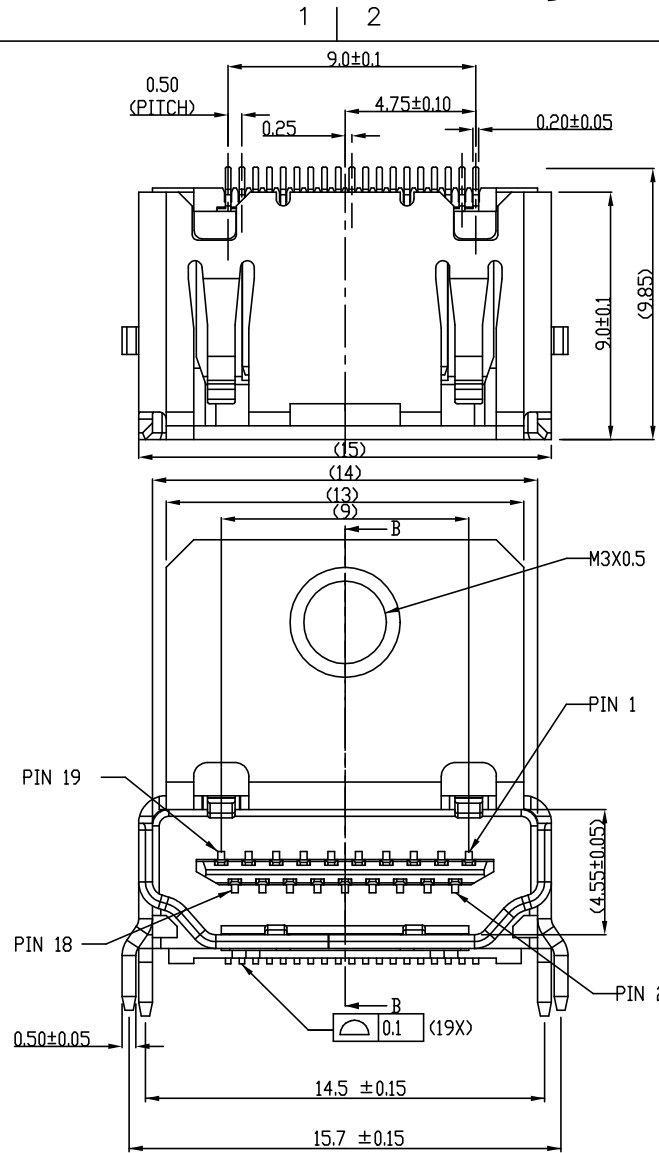
PRODUCT NO.
10029449-X01XLF



SECTION A-A

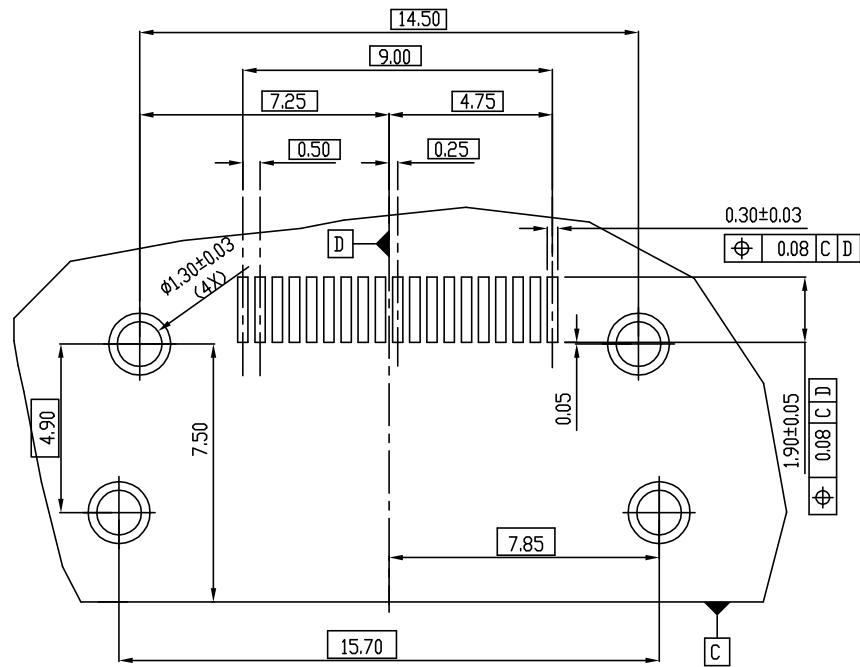
mat'l. code		surface		tolerance		projection		product family	
		ISO1302		ISO1101 ISO406				HDMI	
ltr ecn no dr date		tolerances unless otherwise specified				MM		title	
M	N09-0307	SH	10/21/09	.X±0.3				HDMI TYPE A RECEPTACLE	
N	N10-0033	SH	02/01/10	.XX±0.15					
P	N10-0201	KW	2011-02-14	.XXX±0.05		scale 4.0			
R	N12-0001	SH	2012-02-23	dr	LEIF SHEN	10/15/04			dwg no
S	N12-0003	A.ZH	2012-06-13	eng	LEIF SHEN	10/15/04			sheet 1 of 5
T		TONY	2018-08-31	chr	PAUL WANG	10/15/04			size
U	ELX-N-31471	TONY	2018-10-08	app	JOSEPH HSIA	10/15/04			A4
sheet revision		U						10029449	
index sheet		1						type Product Customer Drawing	

PRODUCT NO.
10029449-002XLF



mat'l. code		surface ISO1302 <input checked="" type="checkbox"/> ISO1101 ISO406		tolerance ISO1101 ISO406		projection 		product family HDMI	
ltr		ecn no dr		date		tolerances unless otherwise specified		title HDMI TYPE A RECEPTACLE	
						angles linear .X±.03 .XX±.015 0°±2' .XXX±.005 scale 4:0		sheet 2 of 5 size 10029449 A4	
				dr LEIF SHEN 10/15/04				sheet 2 of 5 size 10029449 A4	
				eng LEIF SHEN 10/15/04				type Product Customer Drawing	
				chr PAUL WANG 10/15/04					
				app JOSEPH HSIA 10/15/04					
sheet index		revision sheet		U 2					

PRODUCT NO.	CONTACT AREA PLATING	SHIELD FIGURE	PACKING
10029449-001TLF	30u" GXT MINIMUM	WITHOUT FLANGE	TRAY
10029449-001RLF	30u" GXT MINIMUM	WITHOUT FLANGE	TAPE AND REEL
10029449-101TLF	GOLD FLASH 3u" MIN	WITHOUT FLANGE	TRAY
10029449-101RLF	GOLD FLASH 3u" MIN	WITHOUT FLANGE	TAPE AND REEL
10029449-002TLF	30u" GXT MINIMUM	WITH FLANGE	TRAY
10029449-002RLF	30u" GXT MINIMUM	WITH FLANGE	TAPE AND REEL
10029449-002FLF	GOLD FLASH 3u" MIN	WITH FLANGE	TAPE AND REEL



RECOMMENDED PCB PATTERN LAYOUT
(t=1.6mm)

NOTES:

1. MATERIAL

- 1-1 HOUSING: GLASS FIBER HIGH-TEMP. RESIN.(UL94V-0)
- 1-2 CONTACT: BRASS
- 1-3 SHELL : STEEL

2. FINISH

- 2-1 CONTACT : Ni UNDER PLATED ALL OVER 50u" MIN CONTACT AREA SEE TABLE
- 2-2 SHELL : Ni 100u" MIN.

3. PACKAGING:

PACKAGING SPECIFICATION GS-14-939.

4. PRODUCT SPEC:

PRODUCT SPECIFICATION GS-12-309.

5. RoHS STANDARD SPECIFICATION ACCORDING TO FCI GS-22-008.

6. PARTS MEET REFLOW APPLICATION PEAK TEM. 260°C, 10 SECONDS MAX.

mat'l. code		surface ISO1302 ✓		tolerance ISO1101 ISO406		projection MM		product family HDMI	
ltr	ecn	no	dr	date	tolerances unless otherwise specified		title HDMI TYPE A RECEPTACLE		
					angles	.X±.0.3			
					0°±2'	.XX±.0.15			
						.XXX±.0.05	scale 4.0		
			dr	LEIF SHEN	10/15/04			dwg no 10029449 sheet 3 of 5 size A4	
			eng	LEIF SHEN	10/15/04			type Product Customer Drawing	
			chr	PAUL WANG	10/15/04				
			app	JOSEPH HSIA	10/15/04				
sheet index	revision	U							
	sheet	3							

PRODUCT NO.	CONTACT AREA PLATING	SHIELD FIGURE	DIM "A"	PACKING
10029449-111RLF	GOLD FLASH 3u" MIN	WITHOUT FLANGE	2.02±0.20	TAPE AND REEL
10029449-113RLF	GOLD FLASH 3u" MIN	WITHOUT FLANGE	0.90±0.20	TAPE AND REEL

NOTE:

1.MATERIAL:

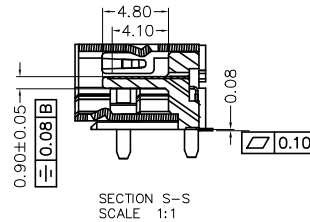
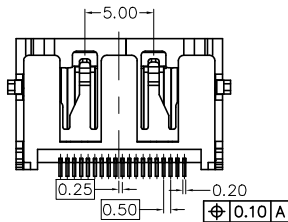
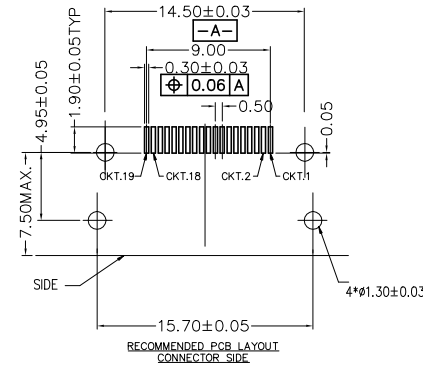
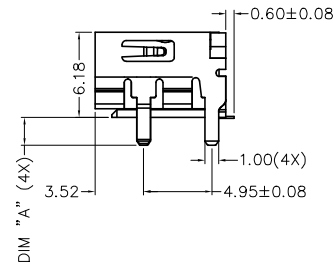
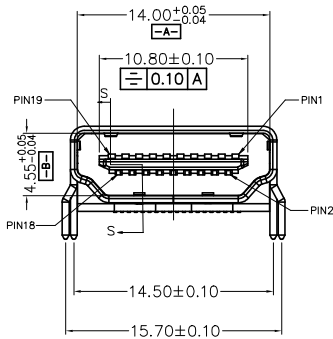
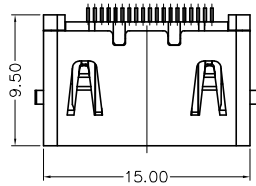
HOUSING: HIGH TEMP.THERMOPLASTIC, UL 94V-0
 COLOR: BLACK.
 CONTACT: PHOSPHOR BRONZE
 SHIELD: BRASS

2.FINISH:

SEE NOTES.

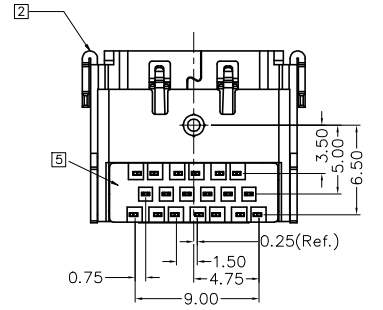
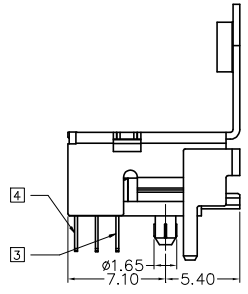
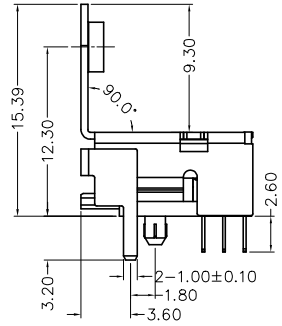
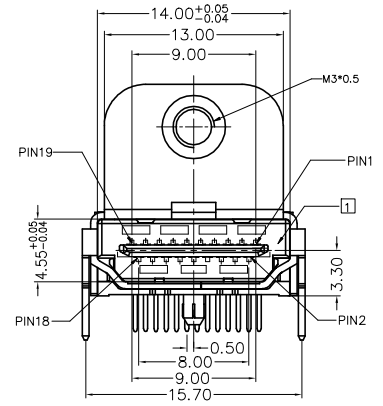
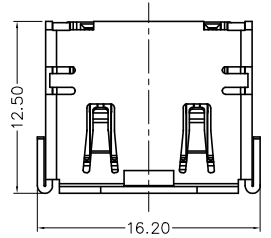
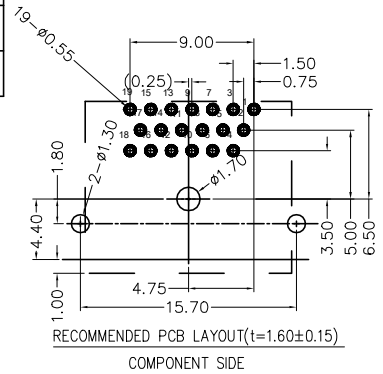
3.TERMINAL RETENTION FORCE TO BE 0.3kgf MIN.

4.TERMINAL CUT-OFF BURR TO BE 0.05MAX.



mat'l. code		surface ISO1302 ✓		tolerance ISO1101 ISO406		projection MM		product family HDMI	
ltr		ecn no		dr		date		title	
								HDMI TYPE A RECEPTACLE	
								scale 2.0	
								dwg no	
								10029449	
								sheet 4 of 5	
								size	
								A4	
								type	
								Product Customer Drawing	
sheet index		revision sheet		U					
				4					

PRODUCT NO.	CONTACT AREA PLATING	SHIELD FIGURE	PACKING
10029449-112TLF	GOLD FLASH 3u" MIN	WITH FLANGE	TRAY
10029449-112RLF	GOLD FLASH 3u" MIN	WITH FLANGE	TAPE AND REEL



NOTE:

1. MECHANICAL CHARACTERISTICS
 INSERTION FORCE: 44.1N MAX
 WITHDRAWAL FORCE: 9.8N MIN, 39.2N MAX
 MATING CYCLE: 10000 CYCLES
 CONTACT PULL OUT FORCE: 1.96N/PIN MIN

2. ELECTRICAL CHARACTERISTICS
 RATING CURRENT: 0.5A
 RATING VOLTAGE: 40V
 CONTACT RESISTANCE: 10 MILLOHMS OHMS MAX
 (EXCLUDING CONDUCTOR RESISTANCE)
 INSULATION RESISTANCE:
 a, UNMATED: 100M OHMS MIN AT 500 VDC
 b, MATED: 10M OHMS MIN AT 150 VDC
 DIELECTRIC WITHSTANDING VOLTAGE: 300V AC/1MINUTE
 OPERATING TEMPERATURE: -20°C--+85°C
 STORAGE TEMPERATURE: -20°C--+65°C

mat'l. code		surface ISO1302 ✓		tolerance ISO1101 ISO406		projection MM		product family HDMI		
ltr	ecn	no	dr	date	tolerances unless otherwise specified		title			
					angles	.0±.0.3	HDMI TYPE A RECEPTACLE			
					0°±2°	.00±.0.15	scale 2.0			
					dr	LEIF SHEN	10/15/04	dwg no		
					eng	LEIF SHEN	10/15/04	sheet 5 of 5		
					chr	PAUL WANG	10/15/04	size		
					app	JOSEPH HSIA	10/15/04	A4		
sheet index		revision sheet		U			Amphenol FCI		type Product Customer Drawing	
			5							

Mouser Electronics

Authorized Distributor

Click to View Pricing, Inventory, Delivery & Lifecycle Information:

[FCI / Amphenol:](#)

[10029449-002RLF](#) [10029449-101RLF](#) [10029449-001TLF](#) [10029449-101TLF](#) [10029449-001RLF](#) [10029449-002TLF](#)
[10029449-002FLF](#) [10029449-111RLF](#) [10029449-113RLF](#) [10029449-112RLF](#) [10029449-112TLF](#)