

40x40x28 mm

San Ace 40 9P type    Model 109P0424R3013 is not certified.



General Specifications

- Material Frame: Plastic (Flammability: UL 94V-0), Impeller: Plastic (Flammability: UL 94V-1)
- Expected life See the table below. (L10 life: 90% survival rate for continuous operation in free air at 60°C, rated voltage)
- Motor protection function Locked rotor burnout protection, Reverse polarity protection
For details, please refer to p. 547.
- Dielectric strength 50/60 Hz, 500 VAC, for 1 minute (between lead wire conductors and frame)
- Insulation resistance 10 MΩ or more with a 500 VDC megger (between lead wire conductors and frame)
- Sound pressure level (SPL) At 1 m away from the air inlet
- Storage temperature -30 to +70°C (Non-condensing)
- Lead wire ⊕Red ⊖Black or Blue (Sensor) Yellow
- Mass 52 g

Specifications

The models listed below **have ribs and pulse sensors.**

| Model no. | Rated voltage [V] | Operating voltage range [V] | Rated current [A] | Rated input [W] | Rated speed [min ⁻¹] | Max. airflow [m ³ /min] [CFM] | Max. static pressure [Pa] [inchH ₂ O] | SPL [dB (A)] | Operating temperature [°C] | Expected life [h] |
|---------------|-------------------|-----------------------------|-------------------|-----------------|----------------------------------|--|--|--------------|----------------------------|-------------------|
| 109P0405H3013 | 5 | 4.5 to 5.5 | 0.68 | 3.4 | 8700 | 0.32 11.3 | 102.9 0.414 | 37 | -20 to +70 | 40000/60°C |
| 109P0405F3013 | | | 0.28 | 1.4 | 6700 | 0.244 8.6 | 58.8 0.236 | 30 | | 60000/60°C |
| 109P0412K3013 | 12 | 8 to 13.2 | 0.55 | 6.6 | 15500 | 0.59 20.8 | 340 1.365 | 50 | -20 to +60 | 40000/60°C |
| 109P0412J3013 | | 7 to 13.2 | 0.35 | 4.2 | 12500 | 0.46 16.2 | 210 0.843 | 44 | | |
| 109P0412G3013 | | 7 to 13.8 | 0.31 | 3.72 | 11500 | 0.42 14.8 | 179 0.719 | 42 | | |
| 109P0412B3013 | | | 0.28 | 3.36 | 10300 | 0.38 13.4 | 143 0.574 | 40 | | |
| 109P0412H3013 | | 7 to 13.8 | 0.195 | 2.34 | 8700 | 0.32 11.3 | 102.9 0.414 | 37 | -20 to +70 | 60000/60°C |
| 109P0412F3013 | | | 0.105 | 1.26 | 6700 | 0.244 8.6 | 58.8 0.236 | 30 | | |
| 109P0412M3013 | | 10.2 to 13.8 | 0.045 | 0.54 | 4100 | 0.15 5.3 | 21.6 0.087 | 20 | | |
| 109P0424R3013 | | 24 | 12 to 26.4 | 0.25 | 6 | 14000 | 0.51 18.0 | 263.4 1.057 | 47 | -20 to +60 |
| 109P0424J3013 | 0.18 | | | 4.32 | 12500 | 0.46 16.2 | 210 0.843 | 44 | | |
| 109P0424G3013 | 0.19 | | | 4.56 | 11500 | 0.42 14.8 | 179 0.719 | 42 | | |
| 109P0424B3013 | 0.13 | | | 3.12 | 10300 | 0.38 13.4 | 143 0.574 | 40 | | |
| 109P0424H3013 | 12 to 27.6 | | 0.095 | 2.28 | 8700 | 0.32 11.3 | 102.9 0.414 | 37 | -20 to +70 | 60000/60°C |
| 109P0424F3013 | 14 to 27.6 | | 0.055 | 1.32 | 6700 | 0.244 8.6 | 58.8 0.236 | 30 | | |

The following sensor and control options are available for selection.

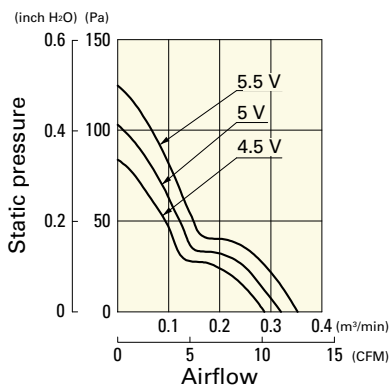
Available for all models. **Without sensor**

Differs according to the model. Refer to the table on pp. 562 to 563. **Lock sensor** **PWM control**

Airflow - Static Pressure Characteristics

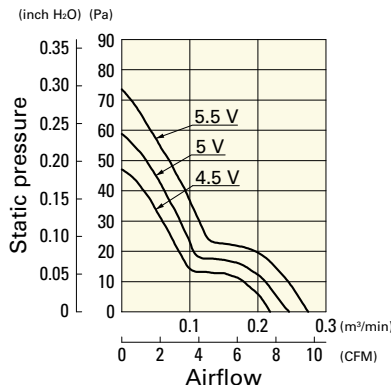
109P0405H3013 With pulse sensor

Operating voltage range



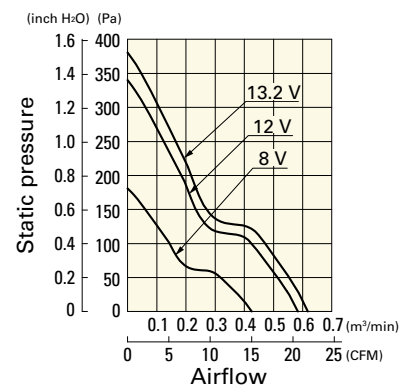
109P0405F3013 With pulse sensor

Operating voltage range

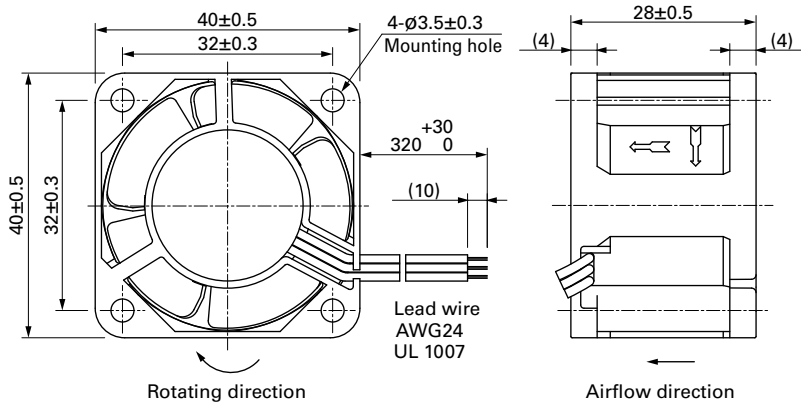


109P0412K3013 With pulse sensor

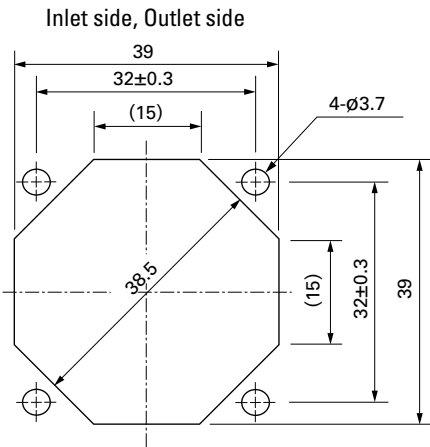
Operating voltage range



Dimensions (unit: mm)



Reference Dimensions of Mounting Holes and Vent Opening (unit: mm)



Options

Finger guards

page: p. 532

Model no.: 109-059, 109-059H