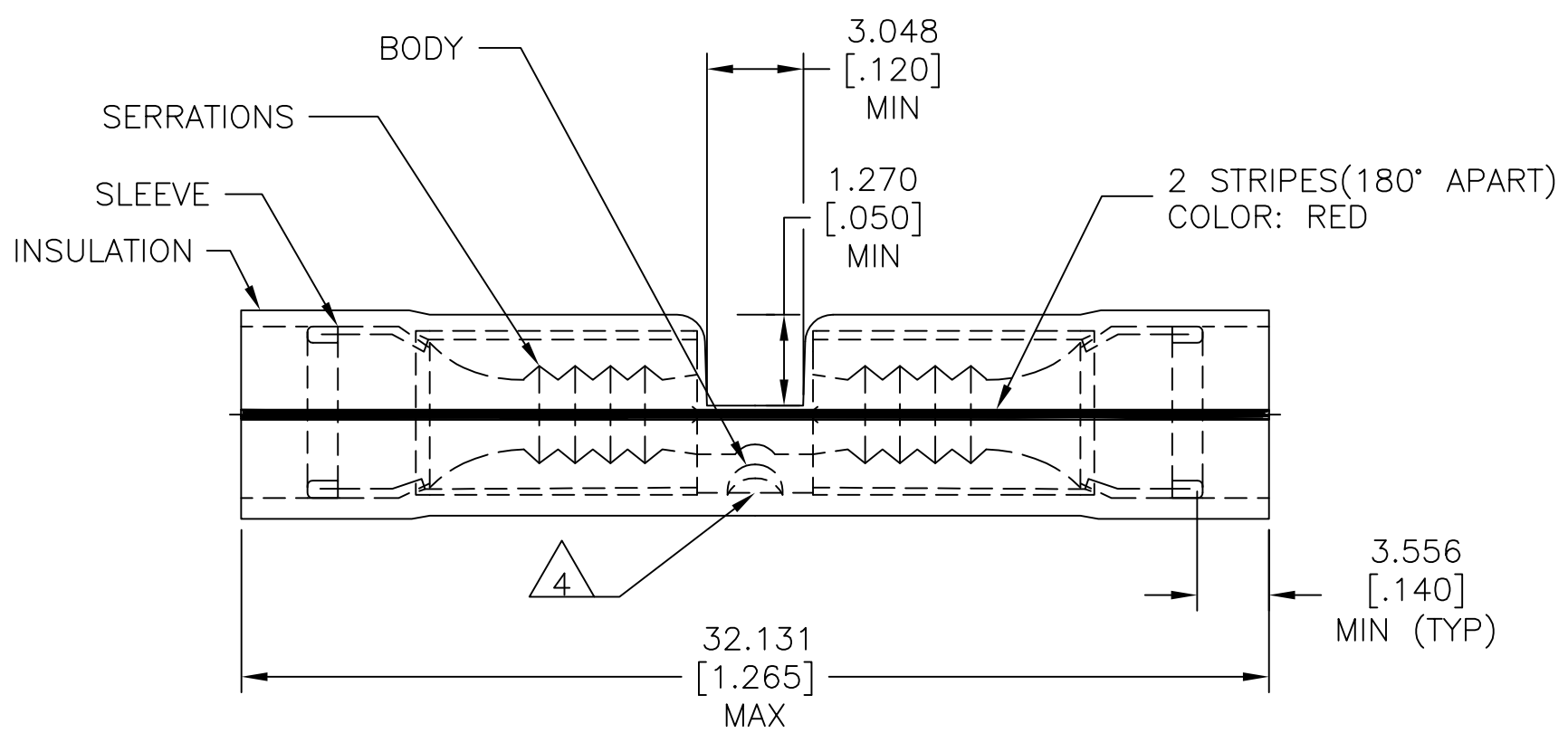
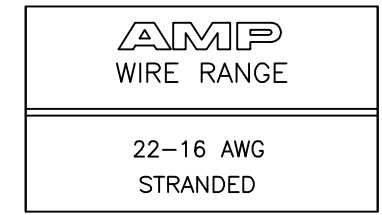


REVISIONS					
P	LTR	DESCRIPTION	DATE	DWN	APVD
	K	REV PER 0G3A-0582-04	31AUG04	JR	TM
	K1	REVISED PER ECO-17-007400	22NOV2017	RS	DR



- 1 WIRE INSULATION $\phi 2.032[\phi .080]$ TO $\phi 3.175[\phi .125]$.
- 2 FINISH:
 BODY AND SLEEVE: TIN/LEAD (93-7) PLATE PER ASTM B545.(3% MIN LEAD CONTENT)
 INSULATION: COLOR-NATURAL.
- 3 MATERIAL:
 BODY AND SLEEVE: COPPER PER ASTM B152
 INSULATION: PVF²
- 4 STAMP AMP 22-18* APPROX AS SHOWN.
 22-16 TERMINALS ARE STAMPED
 22-18 IN ACCORDANCE WITH MILITARY SPEC SAE AS 7928.
 COMMERCIAL WIRE RANGE IS 22-16.

M7928/6-3 CLASS 2	2500	ON TAPE	53548-2
M7928/6-3 CLASS 1 & 2	1000	LOOSE PIECE	53548-1
MILITARY PART NUMBER & CLASS	QTY	PACKAGE TYPE	PART NO.

AMP INCORPORATED CUSTOMER SERVICE SYSTEMS		MAX RECOMMENDED OPERATING TEMPERATURE: 150°C[302°F]	THIS DRAWING IS A CONTROLLED DOCUMENT.		DWN S.S. GOULDEN 9-28-93	TE Connectivity NAME SPLICE, BUTT,PVF ² , P.I.D.G., WIRE SIZE: 22-16 AWG			
FOR ADDITIONAL PRODUCT INFORMATION OR COPIES OF DRAWINGS AND TECHNICAL DOCUMENTS	PRODUCT INFORMATION CENTER 1-800-522-6752	VOLTAGE RATING: -	DIMENSIONS: mm [INCHES]	TOLERANCES UNLESS OTHERWISE SPECIFIED:	CHK R. HERSEY 9-28-93				
FOR APPLICATION TOOLING INFORMATION	TOOLING ASSISTANCE CENTER 1-800-722-1111	CIRCULAR MIL AREA: 0.26-1.65mm ² [509-3,260] STRANDED		0 PLC ± - 1 PLC ± - 2 PLC ± - 3 PLC ± 0.127[.005] 4 PLC ± - ANGLES ± -	PRODUCT SPEC -	APPLICATION SPEC 114-2157			
FOR ORDER ENTRY	1-800-526-5142	THIS DRAWING IS A CONTROLLED DOCUMENT FOR AMP INCORPORATED. IT IS SUBJECT TO CHANGE AND THE CONTROLLING ENGINEERING ORGANIZATION SHOULD BE CONTACTED FOR THE LATEST REVISION.		MATERIAL 3	FINISH 2	WEIGHT -	SIZE A3	CAGE CODE 00779	DRAWING NO C=53548
					CUSTOMER DRAWING		SCALE 1:1	SHEET 1 OF 1	REV K1

Mouser Electronics

Authorized Distributor

Click to View Pricing, Inventory, Delivery & Lifecycle Information:

[TE Connectivity:](#)

[53548-1](#)