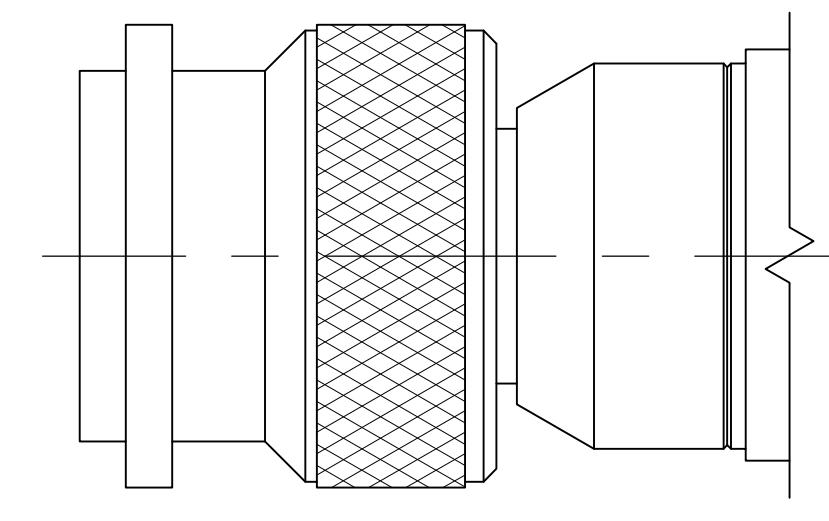
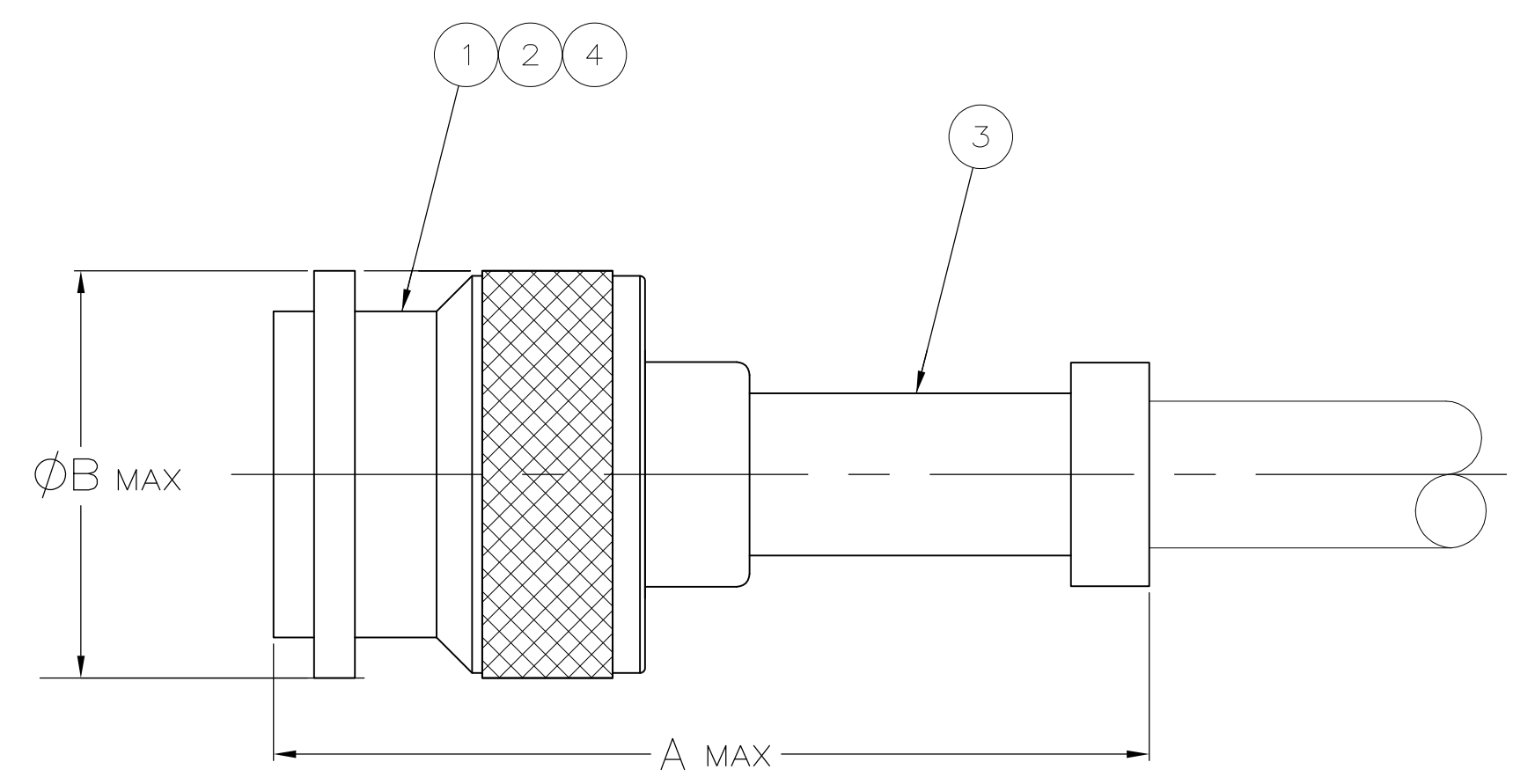


LOC		DIST		REVISIONS			
REV	BY	DATE	DESCRIPTION	DATE	OWN	APVD	
V		7-31-13	REV PER ECO 13-010224		CT	WM	

- ① 00779 M39012/26B0016 AMP 225550-1 YY WW
- ② 00779 M39012/26B0007 AMP 225550-3 YY WW
- 3. USE INSTRUCTION SHEET 2299-1
- ④ SEE SEPERATE RESTRICTED DRAWING FOR THIS PART NUMBER



VIEW Y  
SAME AS VIEW X  
EXCEPT AS SHOWN

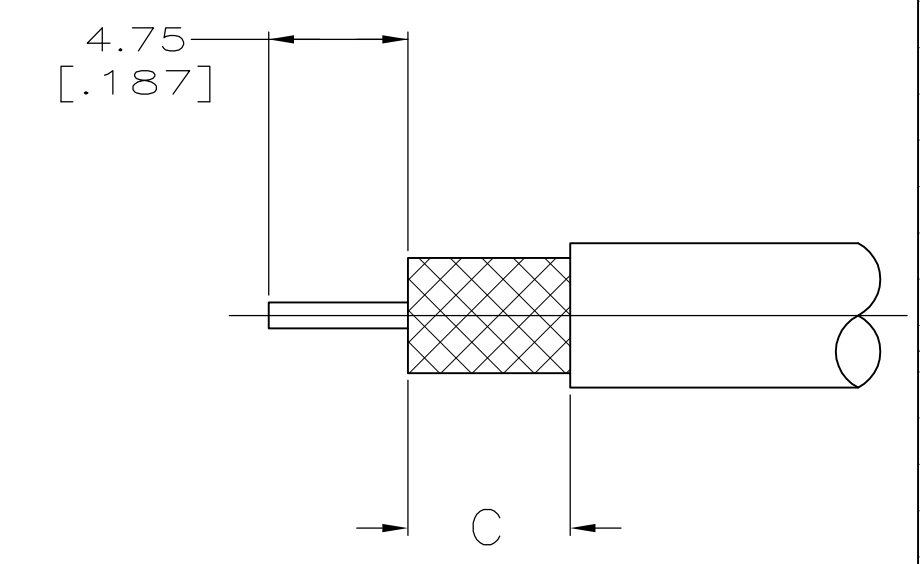
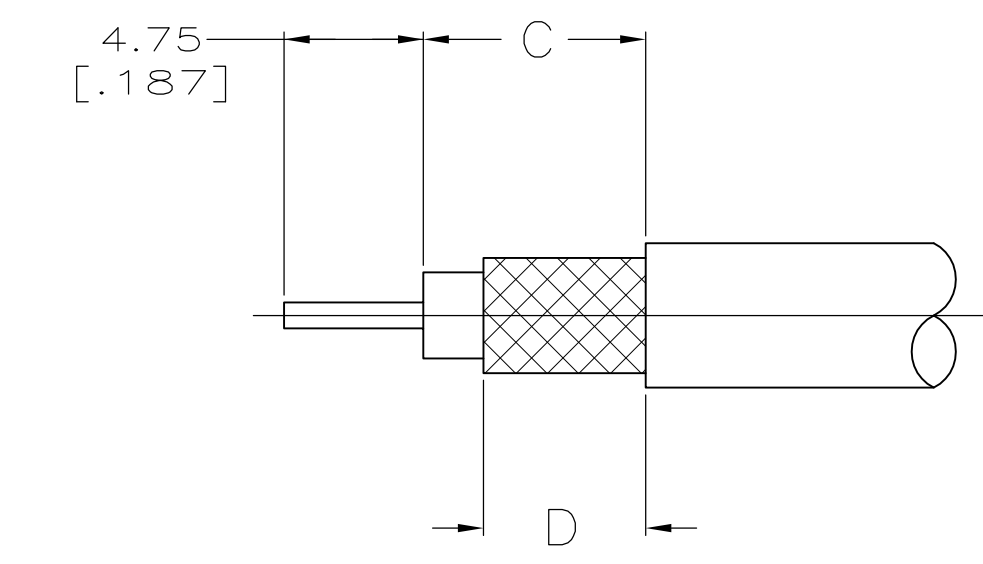


FIG 1 FIG 2

RECOMMENDED STRIP LENGTH

FIG	CABLE SIZE	STAMPING	CRIMP TOOL	D	C	B	A	④ GASKET QTY=1	③ FERRULE QTY=1	② CONTACT QTY=1	① PLUG ASSY QTY=1	VIEW	PART NUMBER				
④																	
	OBSOLETE	TIMES AA-5886		2	7-225550-7 AMP	220015-1			12.70 [.500]	16.00 [.630]	51.05 [2.010]	332022	1-331987-0	225526-6	225593-2	X	7-225550-8
SUPERSEDED BY	225550-6	RG-142/U,142A/U & 142B/U		1	7-225550-6 AMP	220045-2	8.71 [.343]	10.31 [.406]	16.26 [.640]	34.93 [1.375]	225592-2	225560-1	225467-6	1663000-1	X	7-225550-6	
	OBSOLETE	TIMES AA-5887		2	7-225550-5 AMP	220015-1			12.70 [.500]	16.00 [.630]	51.97 [2.046]		225612-2	225596-4	5-225593-2	X	7-225550-5
	OBSOLETE	RG-59B/U,62B/U & BSX 7002-59/U		1	7-225550-3 AMP	220045-3	5.56 [.219]	7.14 [.281]	16.26 [.640]	34.93 [1.375]	225592-3	225560-3	225467-4	1663000-3	X	7-225550-3	
SUPERSEDED BY	225550-2	RG-58A/U & 58C/U		1	7-225550-2 AMP	220045-2	8.71 [.343]	10.31 [.406]	16.26 [.640]	34.93 [1.375]	225592-1	225560-2	225467-2	1663000-1	X	7-225550-2	
	OBSOLETE	RG-180/U,180A/U & 180B/U		1	1-225550-9 AMP	220045-2	8.71 [.343]	10.31 [.406]	16.26 [.640]	34.93 [1.375]	225592-1	1-225560-4	1-225467-0	1663000-1	X	1-225550-9	
	OBSOLETE	MICRODOT 250-4172 & 250-4208		1	1-225550-8 AMP	220015-3	9.53 [.375]	12.70 [.500]	16.26 [.640]	51.59 [2.031]	225908-1	9-225612-0	225596-2	225593-3	X	1-225550-8	
	OBSOLETE	MICRODOT 250-4171 & 250-4207		1	1-225550-7 AMP	220015-3	9.53 [.375]	12.70 [.500]	16.26 [.640]	51.97 [2.046]	225908-1	225612-1	225596-2	225593-3	X	1-225550-7	
		RG-393/U		2	1-225550-3 AMP	220015-1		12.70 [.500]	16.26 [.640]	50.67 [1.995]	332022	9-225490-1	225526-2	225593-2	Y	1-225550-3	
		RG-225/U		2	1-225550-2 AMP	220015-1		12.70 [.500]	16.26 [.640]	50.80 [2.000]	332022	9-331987-3	225526-2	225593-2	Y	1-225550-2	
		RG-9/U,9A/U,9B/U & 214/U		2	225550-8 AMP	220015-1		12.70 [.500]	16.26 [.640]	50.80 [2.000]	332022	9-331987-3	225596-2	225593-2	X	225550-8	
SUPERSEDED BY	225550-7	RG-8/U,8A/U & 213/U		1	225550-7 AMP	220015-1	9.53 [.375]	12.70 [.500]	16.26 [.640]	50.80 [2.000]	332022	1-331987-3	225596-2	225593-2	Y	225550-7	
		RG-142/U,142A/U,142B/U & 400/U		1	00779 M39012/26B0006 AMP YY WW	220045-2	8.71 [.343]	10.31 [.406]	16.26 [.640]	34.93 [1.375]	225592-2	9-225560-4	1-225467-3	1663000-1	X	225550-6	
	OBSOLETE	RG-59B/U,62B/U & BSX 7002-59/U		1	2	220045-3	5.56 [.219]	7.14 [.281]	16.26 [.640]	34.93 [1.375]	225592-3	225560-3	1-225467-2	1663000-3	X	225550-3	
		RG-58A/U & 58C/U		1	00779 M39012/26B0005 AMP YY WW	220045-2	8.71 [.343]	10.31 [.406]	16.26 [.640]	34.93 [1.375]	225592-1	9-225560-5	1-225467-1	1663000-1	X	225550-2	
		RG-55A/U & 223/U		1	1	220045-2	8.71 [.343]	10.31 [.406]	16.26 [.640]	34.93 [1.375]	225592-2	9-225560-4	1-225467-1	1663000-1	X	225550-1	

THIS DRAWING IS A CONTROLLED DOCUMENT.

STE TE Connectivity

PLUG, WEATHERPROOF, SERIES TNC

108-12001

00779 225550

SCALE 4:1 SHEET 1 OF 1 REV V

# Mouser Electronics

Authorized Distributor

Click to View Pricing, Inventory, Delivery & Lifecycle Information:

[TE Connectivity:](#)

[225550-8](#)