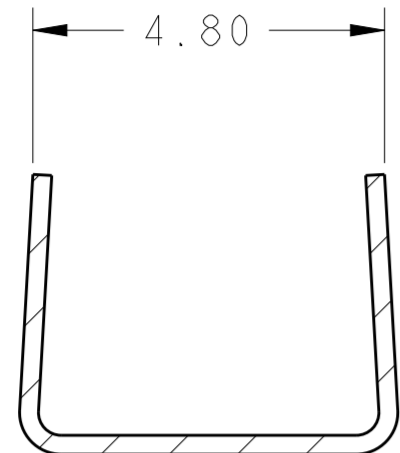


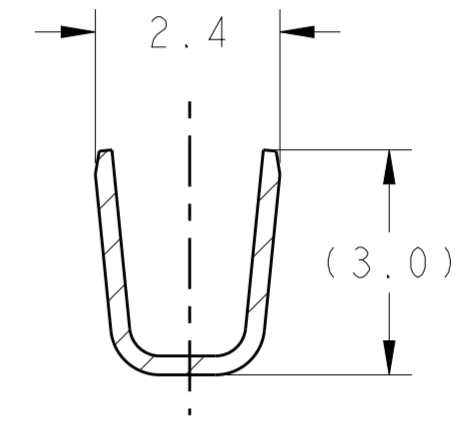
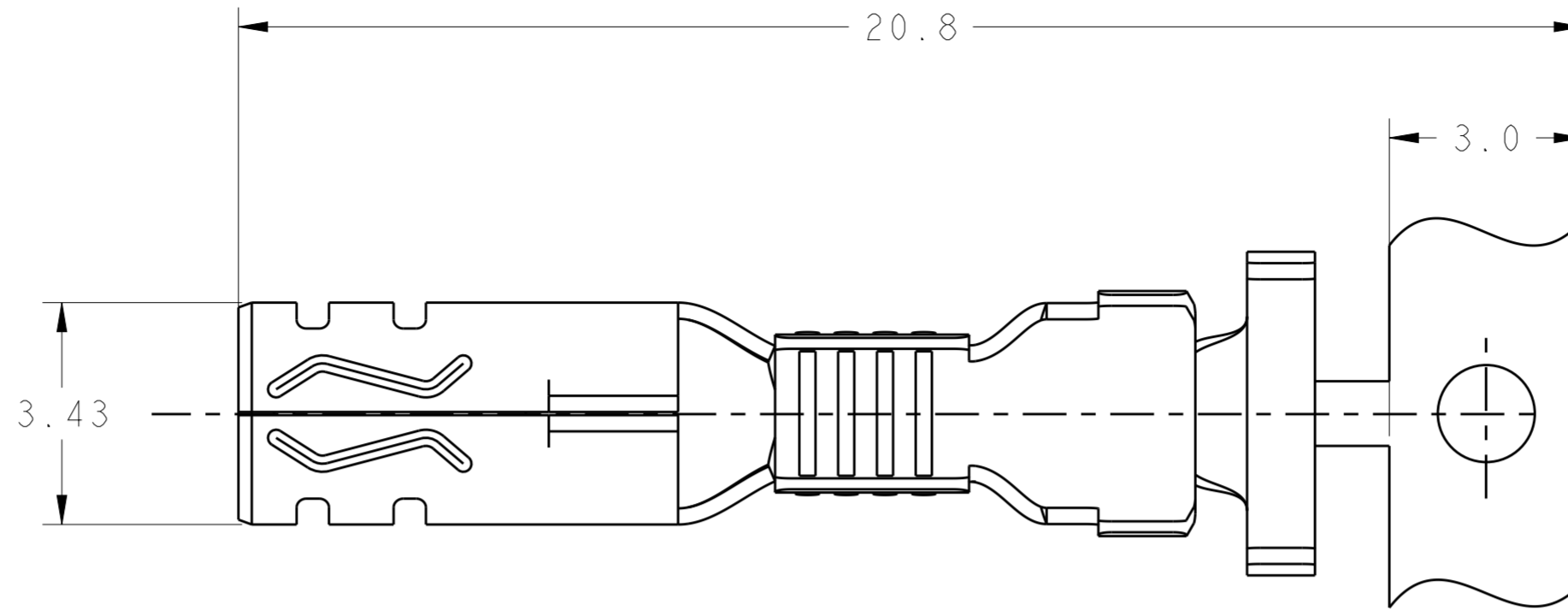
THIS DRAWING IS UNPUBLISHED. RELEASED FOR PUBLICATION 20
 © COPYRIGHT 20 BY - ALL RIGHTS RESERVED.

LOC ES DIST 00

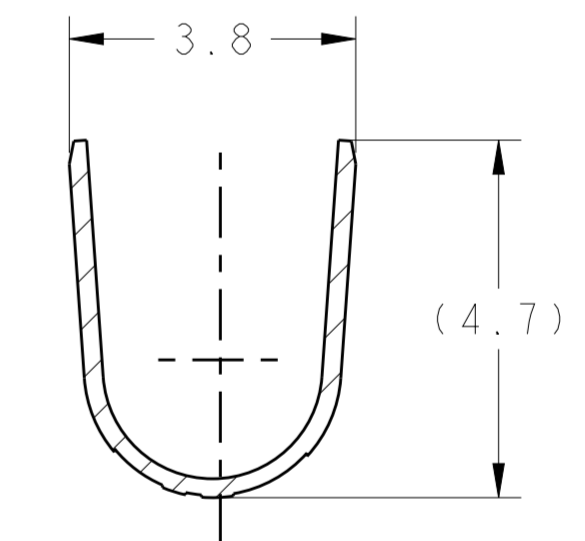
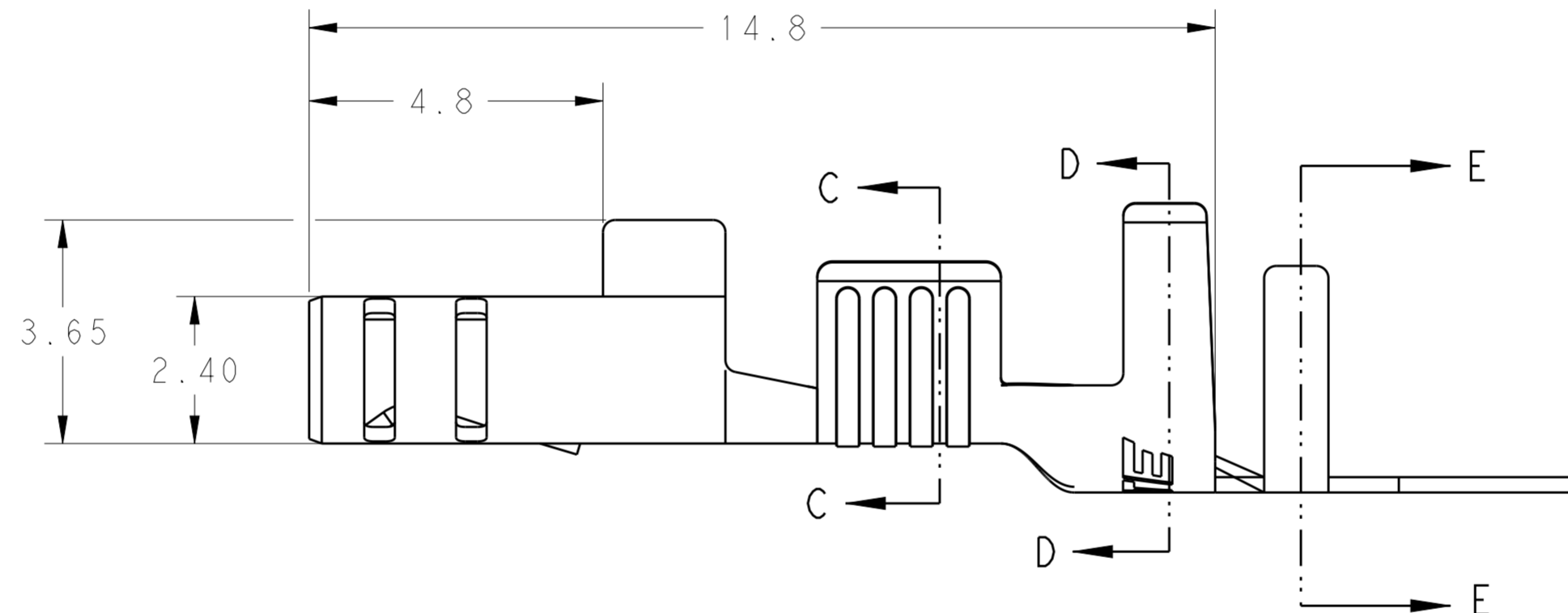
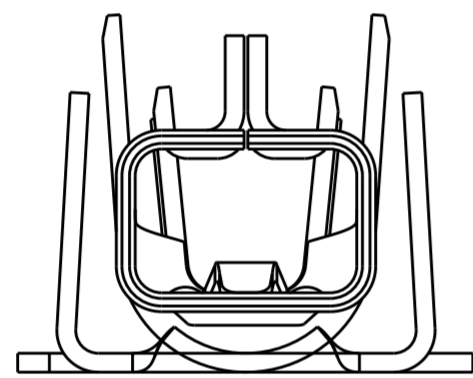
REVISIONS				
P	LTR	DESCRIPTION	DATE	APVD
C		REVISED PER ECO-16-013278	09SEP2016	RS GJ



SECTION E-E



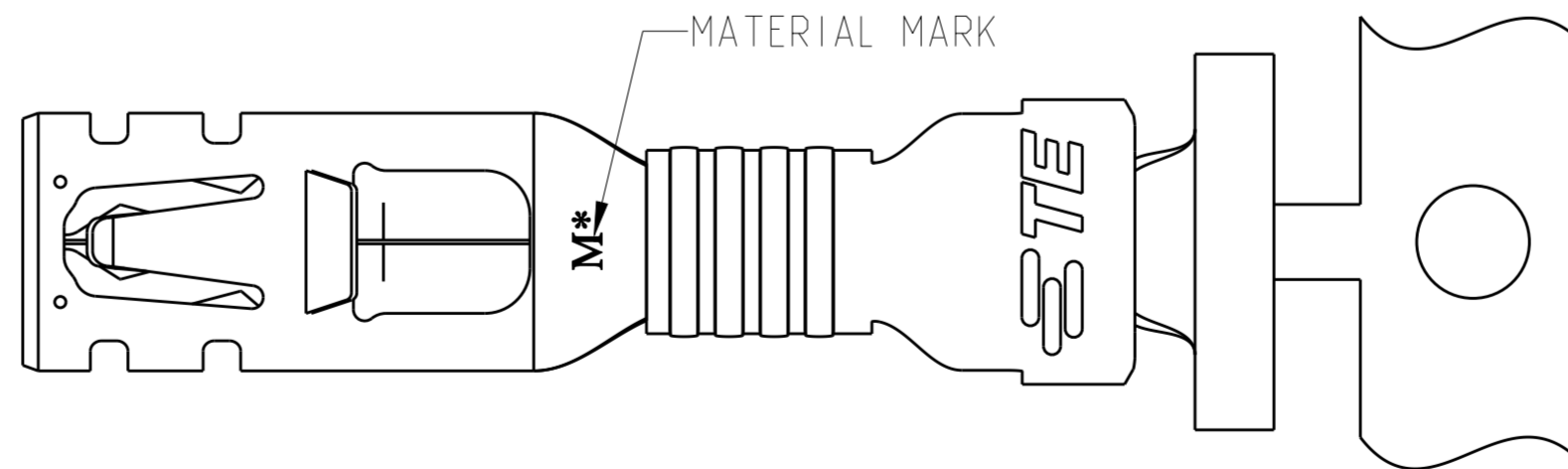
SECTION C-C



SECTION D-D

- 1 APPLICABLE WIRE RANGE: 16~19AWG COPPER STRANDED OR 2x 22AWG COPPER STRANDED. FOR A #19 AWG WIRE THE RECOMMENDED MINIMUM CROSS-SECTIONAL AREA IS 0.65mm² (1300 CMA).
- 2 FOR WIRE WITH AN AREA/CMA SMALLER THAN INDICATED ABOVE, RECEPTACLE 1971785-() IS RECOMMENDED.
- 3 APPLICABLE INSULATION DIAMETER: 2.40~3.30mm. 2.00~3.30mm(2.0 mm MAX FOR 2x 22AWG) WHEN AN OVERLAP INSULATION APPLICATOR IS USED.
- 4 APPLICABLE MATED PLUG HOUSING P/N:
 -1971773-/*-1971776-*/*-1971876-*/
 -2232265-/*-2232266-*/*-2232357-*

5 THIS PRODUCT HAS NOT COMPLETED VALIDATION TESTING.



MATERIAL	TEMP. RATING	MATERIAL MARK	PART NO
COPPER ALLOY	HIGH(150°C)	M0	1971783-2
PHOS BRONZE	STANDARD(105°C)	M1	1971783-1

THIS DRAWING IS A CONTROLLED DOCUMENT.

DIMENSIONS: mm	TOLERANCES UNLESS OTHERWISE SPECIFIED: 0 PLC ± 0.5 1 PLC ± 0.30 2 PLC ± 0.30 3 PLC ± 4 PLC ± ANGLES ± FINISH	DWN TOMMY WU 11JUL2012 CHK HAPYE WU 11JUL2012 APVD YUJHONG MAO 11JUL2012	TE Connectivity	
MATERIAL SEE TABLE	PRE-TIN	PRODUCT SPEC 108-106118 APPLICATION SPEC 114-106118	NAME RECEPTACLE CONTACT POWER TRIPLE LOCK	
		WEIGHT -	SIZE A2	RESTRICTED TO -
		Customer Drawing	SCALE 6:1	SHEET 1 OF 1 REV C

Mouser Electronics

Authorized Distributor

Click to View Pricing, Inventory, Delivery & Lifecycle Information:

[TE Connectivity:](#)

[1971783-2](#)