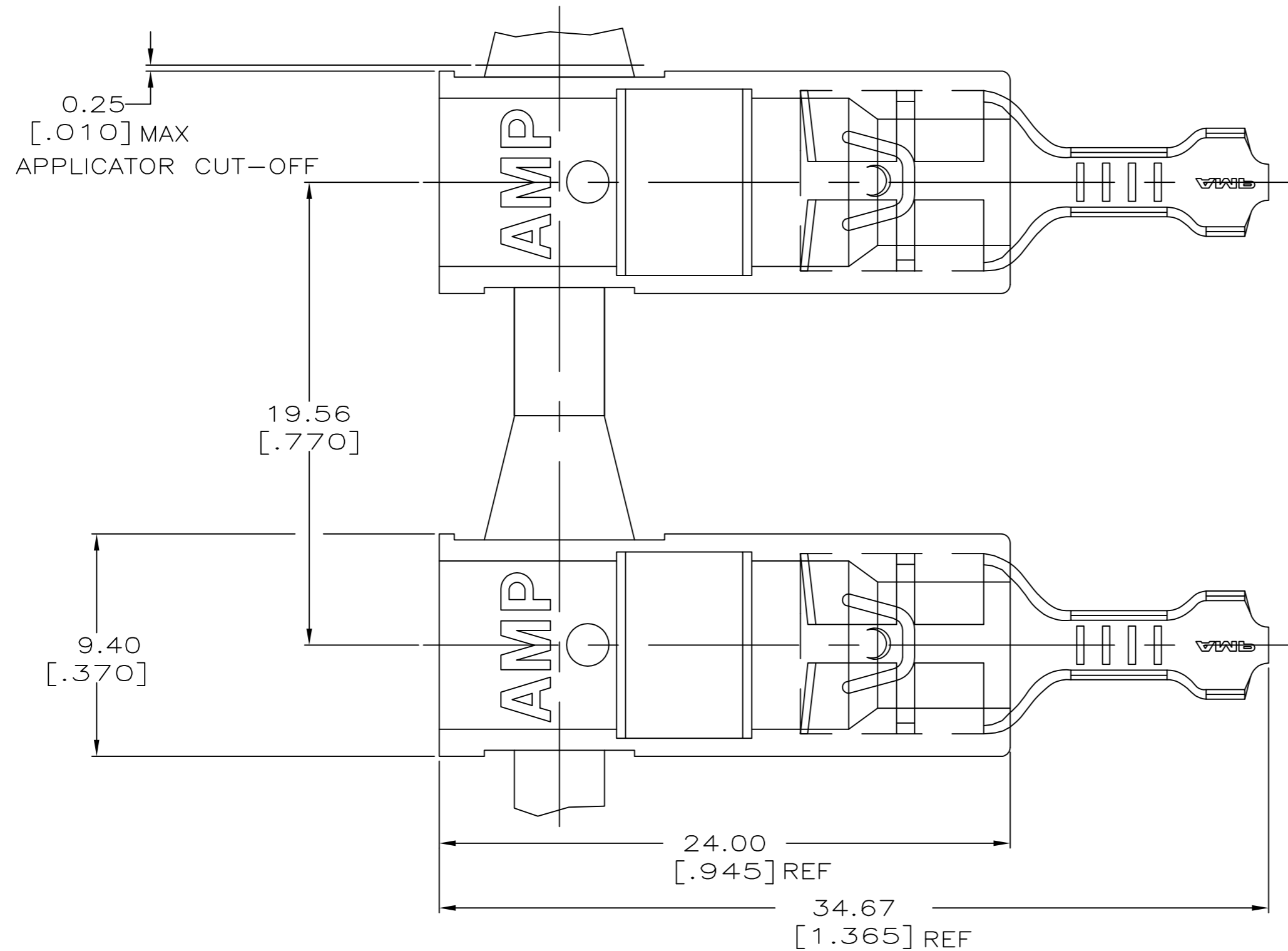
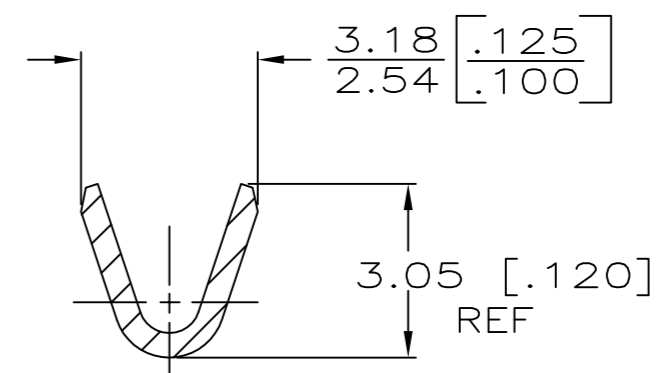


THIS DRAWING IS UNPUBLISHED. RELEASED FOR PUBLICATION  
 © COPYRIGHT - By - ALL RIGHTS RESERVED.

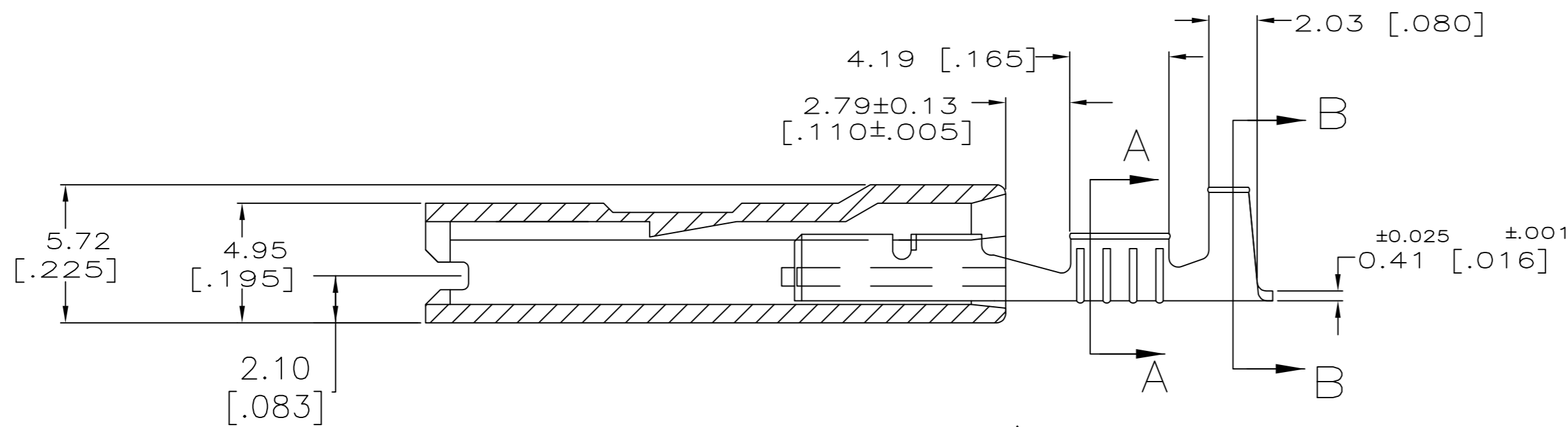
REVISIONS				
P	LTR	DESCRIPTION	DATE	APVD
F4		REVISED PER ECR-17-013352	23SEP2017	BDA MD



- 1 0.002032 [.000080] MIN TIN PER MIL-T-10727.
- 2 LOW-INSERTION FASTON TERMINALS, BASE PART NUMBER 63609, ARE USED IN THIS PRODUCT.
- 3 GLOW WIRE APPROVED, CONTACT TE ENGINEERING FOR SPECIFICATION



SECTION A-A  
SCALE 8:1



SECTION B-B  
SCALE 8:1

1	2.29-3.30 [.090-.130]	0.3-0.8 mm <sup>2</sup> [22-18]	0.81 [.032]	3	520988-3
1	2.29-3.30 [.090-.130]	0.3-0.8 mm <sup>2</sup> [22-18]	0.81 [.032]		520988-2
1	2.29-3.30 [.090-.130]	0.3-0.8 mm <sup>2</sup> [22-18]	0.81 [.032]		520988-1
TERMINAL FINISH	INSULATION RANGE	WIRE SIZE	MATING TAB THK ±0.025 [±.001]		PART NO

THIS DRAWING IS A CONTROLLED DOCUMENT.

DIMENSIONS: mm [INCHES]	TOLERANCES UNLESS OTHERWISE SPECIFIED:	DWN MICHAEL S. FEHER 5/14/91	CHK JEFF R. RUTH 5/21/91	APVD RICHARD FRANTZ 5/21/91	NAME
0 PLC ± -	1 PLC ± -	2 PLC ± 0.25 [.010]	3 PLC ± -	4 PLC ± -	ANGLES ± -
MATERIAL	TERMINAL - SEE TABLE HOUSING - NATURAL	WEIGHT	SIZE	CAGE CODE	DRAWING NO
TERMINAL - BRASS HOUSING - 6/6 NYLON			A2	00779	C=520988
CUSTOMER DRAWING			SCALE	SHEET	REV
			5:1	1 of 1	F4

**TE** TE Connectivity

ASSEMBLY, HOUSING & RECEPTACLE, 6.35 [.250] SERIES ULTRA-POD

# Mouser Electronics

Authorized Distributor

Click to View Pricing, Inventory, Delivery & Lifecycle Information:

[TE Connectivity:](#)

[520988-1](#)