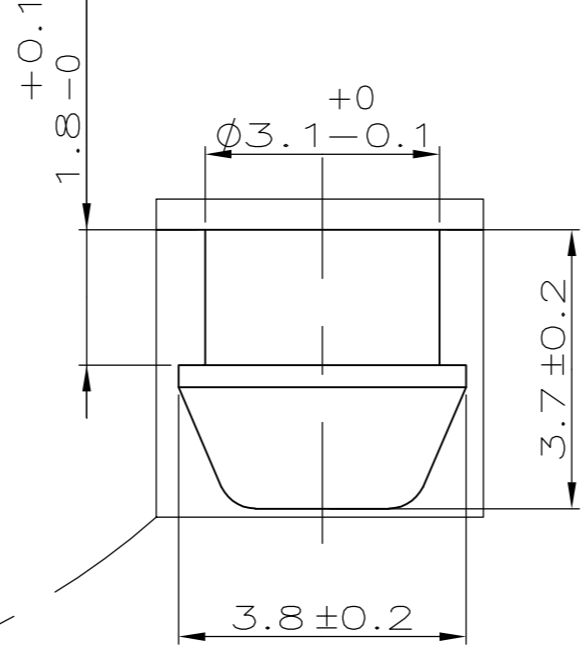
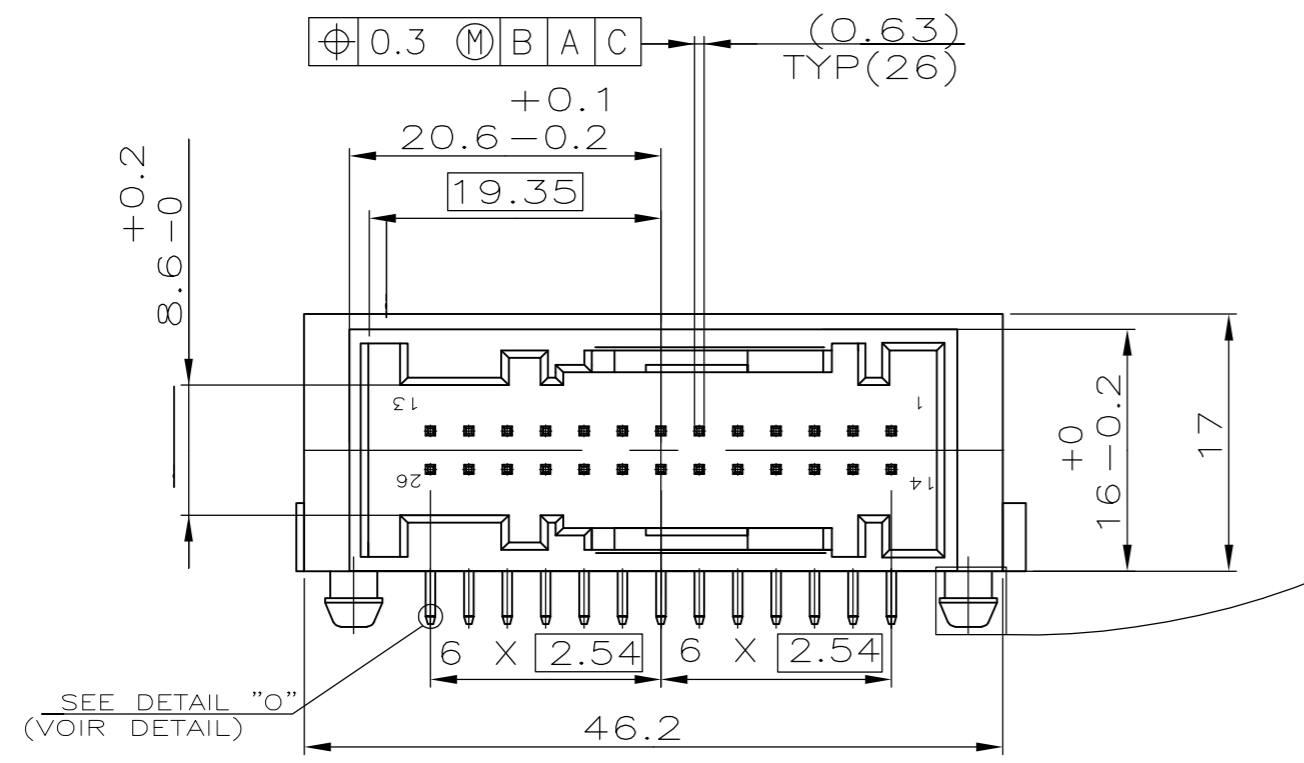
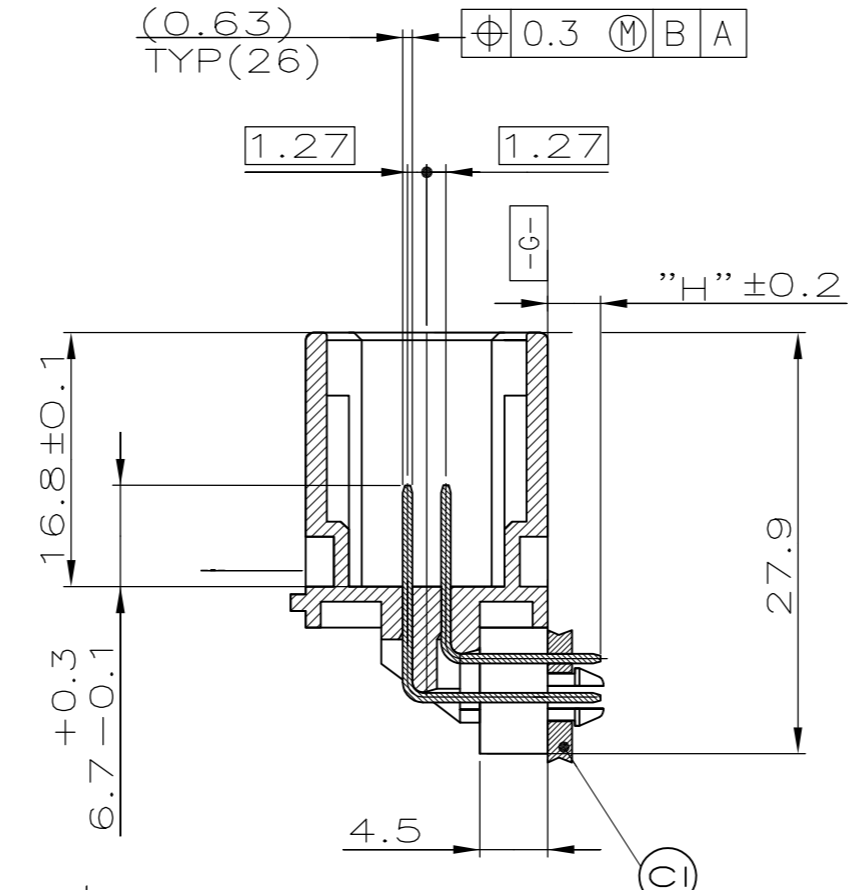
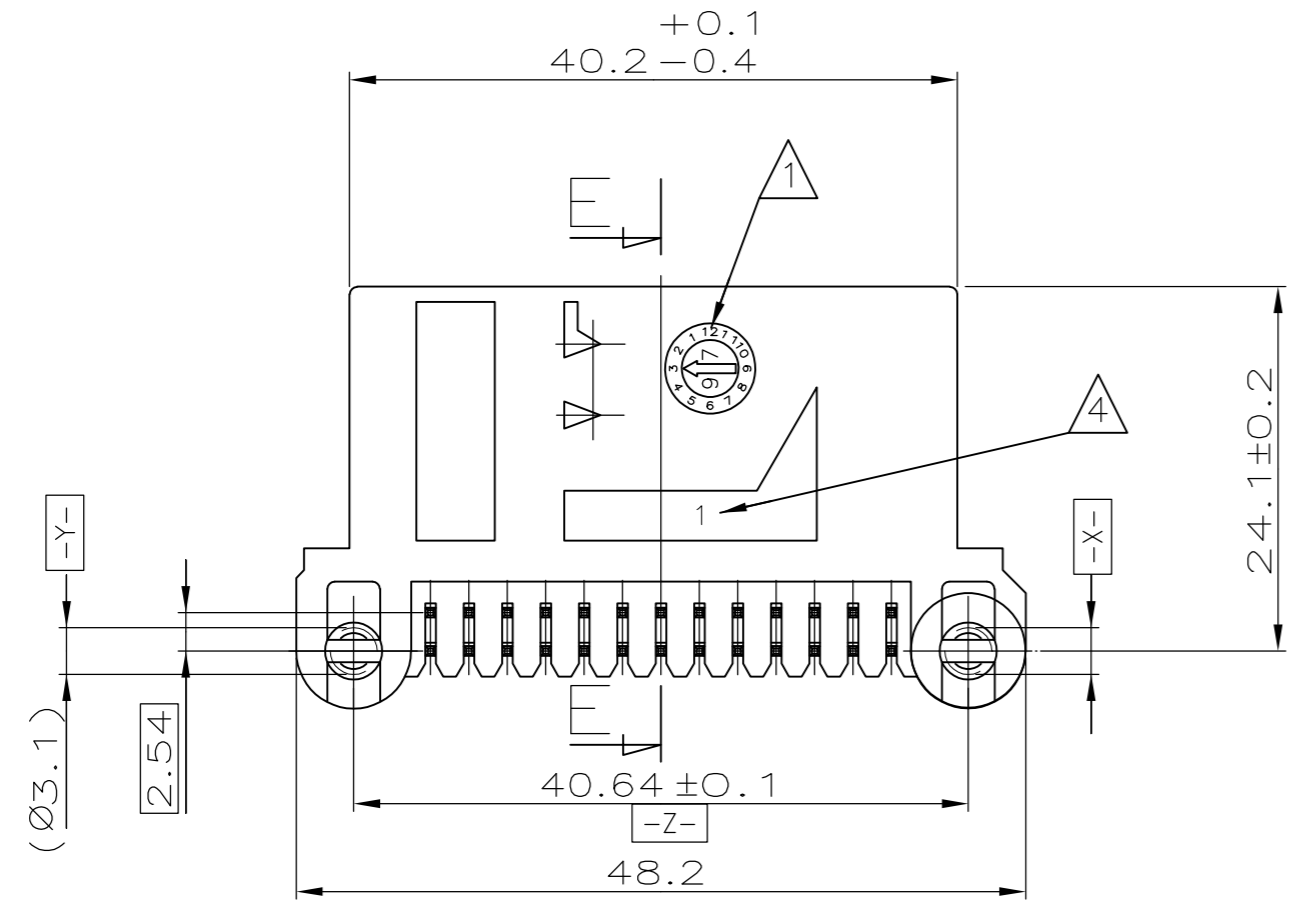


THIS DRAWING IS UNPUBLISHED. RELEASED FOR PUBLICATION
 © COPYRIGHT - By - ALL RIGHTS RESERVED.

SECTIONNEE (COUPE)

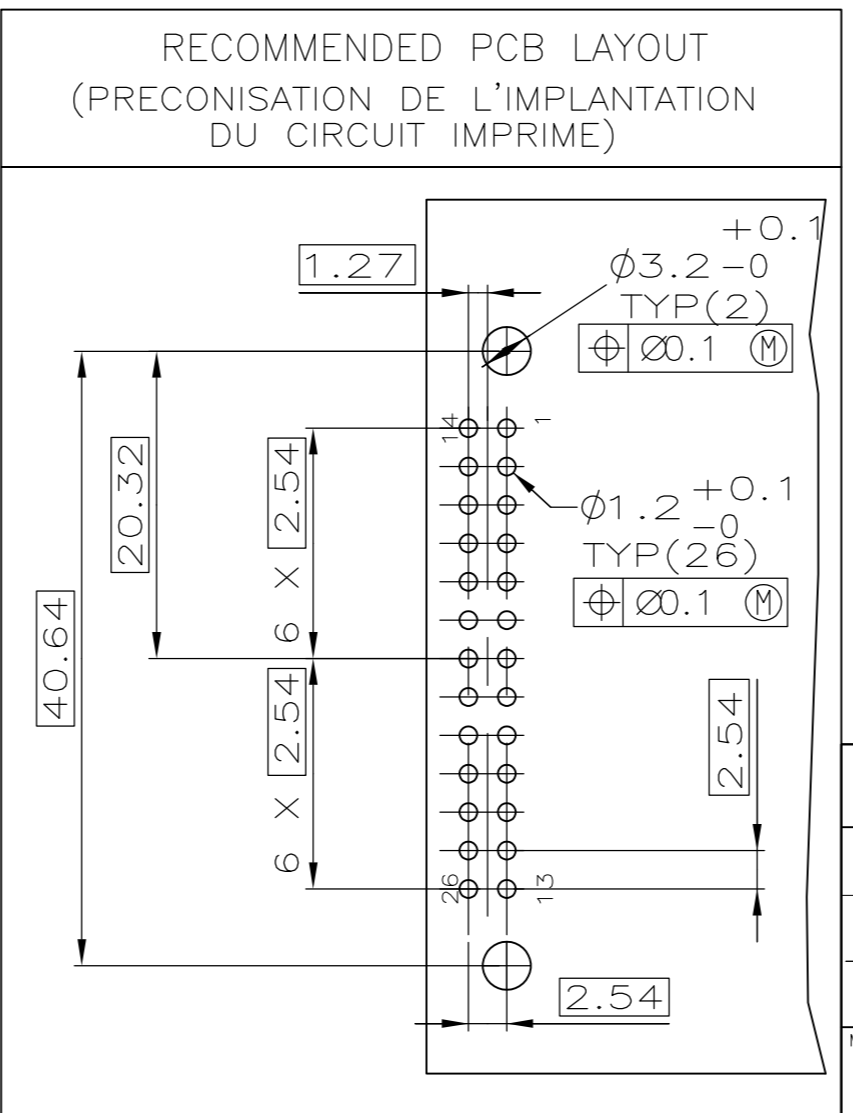
REVISIONS					
P	LTR	DESCRIPTION	DATE	DWN	APVD
WAS	P9623590		21-OCT-96	NN	-
A	MISE A JOUR		14-APR-97	NT.N	-
B	MISE A JOUR		26-SEP-00	NT.N	S.K
C	NVLLE REFERENCE: 1-185904-2		04-APR-03	NT.N	J.L
D	ADD THE NEW PN : 185904-3		15-MAR-06	NT.N	J.L
E	ADD THE ENGLISH TRANSLATION		06-APR-06	NT.N	J.L
F	ADD NEW PN : 2-185904-2		18JAN2016	NT.N	J.L



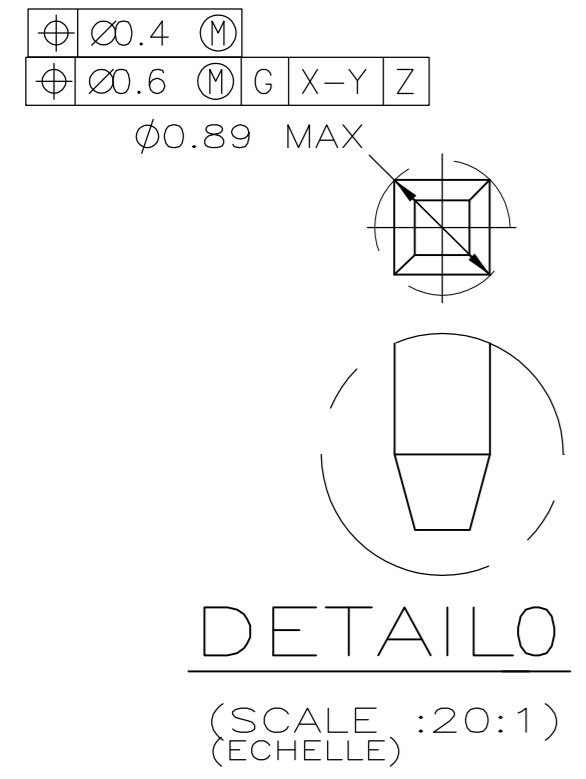
(SCALE :10:1)
(ECHELLE)

NOTES:

- 1 DATE CODE (DATE CODE)
- 2 TE LOGO (EXISTING NAME : AMP) (LOGO DE TE (NOM EXISTANT : AMP))
- 3 ASSEMBLY PART NUMBER : 185904 (REFERENCE DU PRODUIT ASSEMBLE :)
- 4 CAVITY MARKING (N° D'EMPREINTE DU MOULE)
- 5 REVISION STATUS (REVISION DU MOULE)
- 6 MATERIAL REFERENCE : PBT 20GF (MATIERE)
- 7 ASSEMBLY DATE MARKING (MARQUAGE DE DATE D'ASSEMBLAGE)
- 8 P/N 2-185904-2 : FOR PACKAGING IN ESD TRAY + PLASTIC BAG (REF. POUR CONDITIONNEMENT EN PLATEAU ANTI STATIQUE + SAC PLASTIQUE)



HOUSING MATERIAL (MATIERE BOITIER)	CONTACT MATERIAL (MATIERE CONTACT)	FINISH (FINITION)	
PBT GF20	BRONZE	TIN OVER NICKEL (ETAIN SUR NICKEL)	
	BLUE (bleu)	2.6	1-185904-2
		3.5	2-185904-2
	185904-2		
	BLACK (Noir)	3.5	185904-3
	YELLOW (jaune)		185904-1
CODING (Detrompage)	COLOR (Couleur)	"H"	P/N ASS'Y (reference- assemble)



THIS DRAWING IS A CONTROLLED DOCUMENT.		DWN Ngoc-Thanh NGUYEN 16-DEC-96	TE Connectivity																	
DIMENSIONS: mm		CHK J.LAQUERBE 17-APR-97	NAME																	
TOLERANCES UNLESS OTHERWISE SPECIFIED:		APVD JJ.REVIL 17-APR-97	26W MQS RIGHT ANGLE HEADER WITH BOARD-LOCKS (REVERSED INTERFACE VERSION)																	
<table border="1"> <tr><td>Ø PLG</td><td>± -</td></tr> <tr><td>PLG</td><td>± 0.3</td></tr> <tr><td>PLG</td><td>± -</td></tr> <tr><td>PLG</td><td>± -</td></tr> <tr><td>PLG</td><td>± -</td></tr> <tr><td>PLG</td><td>± -</td></tr> <tr><td>ANGLES</td><td>± 5°</td></tr> <tr><td>FINISH</td><td></td></tr> </table>		Ø PLG	± -	PLG	± 0.3	PLG	± -	PLG	± -	PLG	± -	PLG	± -	ANGLES	± 5°	FINISH		PRODUCT SPEC 108-15140	EMBASE COUDEE 26V MQS AVEC BOARD-LOCKS	
Ø PLG	± -																			
PLG	± 0.3																			
PLG	± -																			
PLG	± -																			
PLG	± -																			
PLG	± -																			
ANGLES	± 5°																			
FINISH																				
MATERIAL		APPLICATION SPEC	SIZE A2	CAGE CODE 00779																
		WEIGHT -	DRAWING NO C=185904	RESTRICTED TO -																
		CUSTOMER DRAWING	SCALE 2:1	SHEET 1 OF 1																
				REV F																

Mouser Electronics

Authorized Distributor

Click to View Pricing, Inventory, Delivery & Lifecycle Information:

[TE Connectivity:](#)

[185904-2](#)