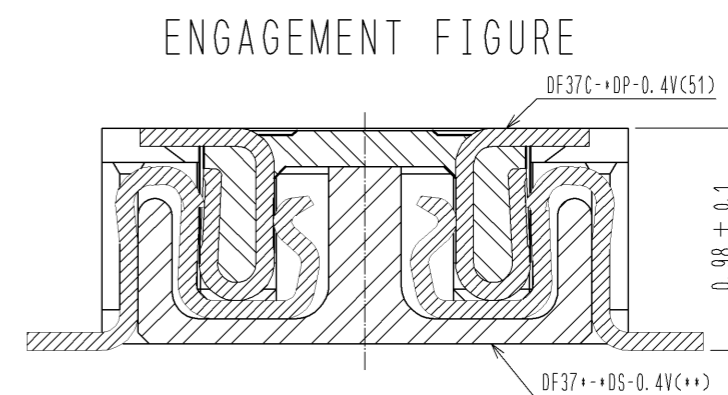
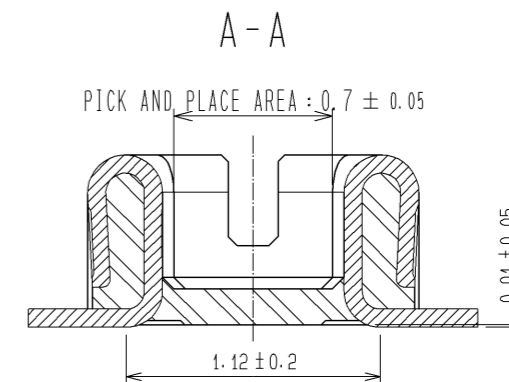
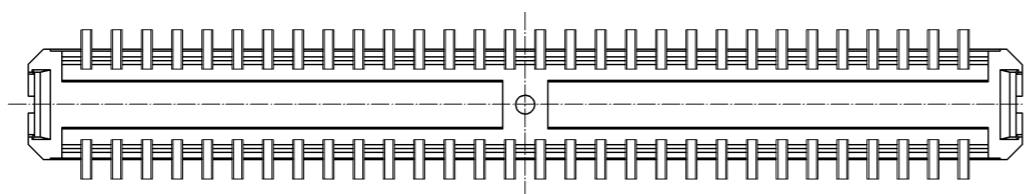
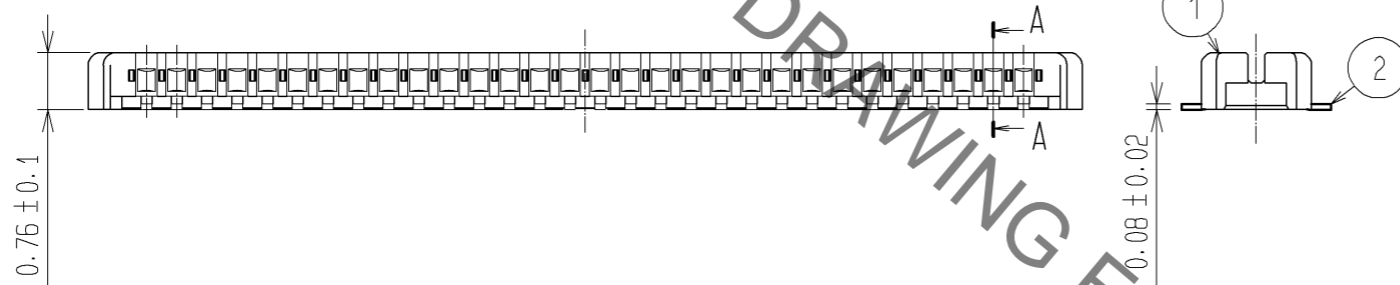
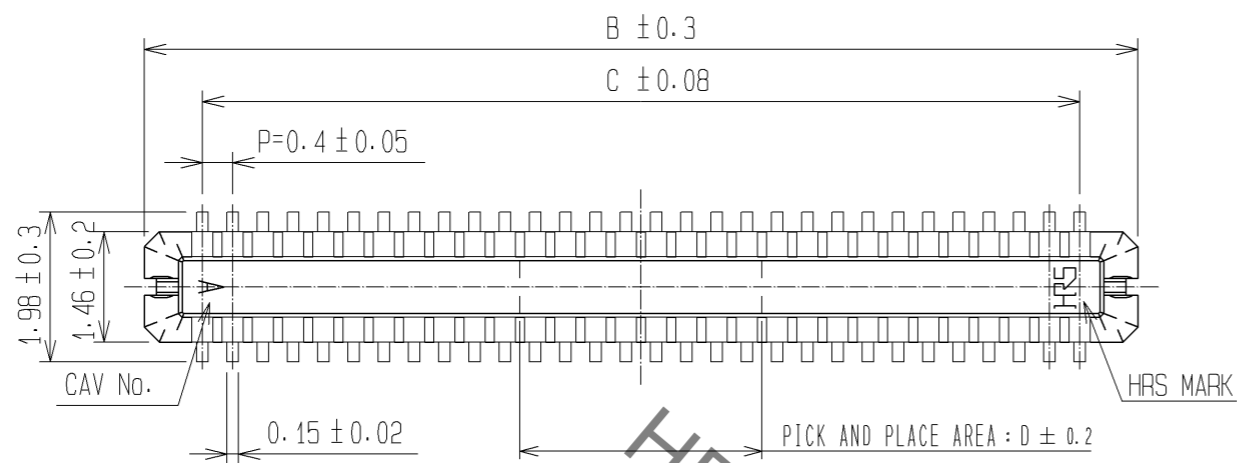


Oct.1.2020 Copyright 2020 HIROSE ELECTRIC CO., LTD. All Rights Reserved.
In case of consideration for using Automotive equipment / device which demand high reliability, kindly contact our sales window correspondents.



| PART No. | CL No. | B | C | D |
|---------------------|-----------------|-------|------|-----|
| DF37C-10DP-0.4V(51) | CL684-3039-5-51 | 3.14 | 1.6 | 0.8 |
| DF37C-16DP-0.4V(51) | CL684-3058-0-51 | 4.34 | 2.8 | 1.2 |
| DF37C-20DP-0.4V(51) | CL684-3024-8-51 | 5.14 | 3.6 | 1.6 |
| DF37C-24DP-0.4V(51) | CL684-3025-0-51 | 5.94 | 4.4 | 2.0 |
| DF37C-30DP-0.4V(51) | CL684-3026-3-51 | 7.14 | 5.6 | 2.0 |
| DF37C-34DP-0.4V(51) | CL684-3085-2-51 | 7.94 | 6.4 | 2.4 |
| DF37C-40DP-0.4V(51) | CL684-3027-6-51 | 9.14 | 7.6 | 2.4 |
| DF37C-44DP-0.4V(51) | CL684-3089-3-51 | 9.94 | 8.4 | 2.8 |
| DF37C-50DP-0.4V(51) | CL684-3028-9-51 | 11.14 | 9.6 | 2.8 |
| DF37C-60DP-0.4V(51) | CL684-3029-1-51 | 13.14 | 11.6 | 3.2 |
| DF37C-70DP-0.4V(51) | CL684-3030-0-51 | 15.14 | 13.6 | 3.6 |
| DF37C-74DP-0.4V(51) | CL684-3073-3-51 | 15.94 | 14.4 | 4.0 |

NOTE 1. ALL LEADS CO-PLANARITY SHALL BE 0.1 mm MAX.
 2 CONTACT PLATING SPECIFICATIONS.
 CONTACT AREA : GOLD 0.05 μm MIN
 SMT LEAD : GOLD 0.05 μm MIN
 UNDER PLATING : NICKEL 1 μm MIN
 (SURFACE : SEALING)

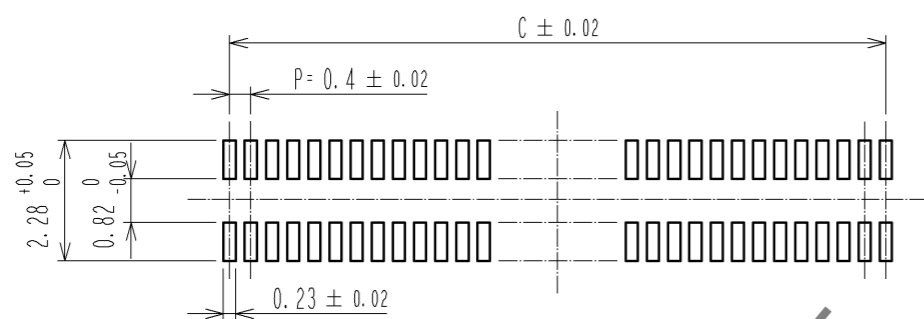
| NO. | MATERIAL | FINISH . REMARKS | NO. | MATERIAL | FINISH . REMARKS |
|-----|-----------------|------------------|-----|-----------|------------------------------|
| 2 | PHOSPHOR BRONZE | 2 | 5 | PS | BLACK. PLASTIC REEL |
| 1 | LCP | BLACK. UL94V-0 | 4 | POLYESTER | CLEAR. COVER TAPE |
| | | | 3 | PS | CLEAR. EMBOSSED CARRIER TAPE |

| UNITS | SCALE | COUNT | DESCRIPTION OF REVISIONS | DESIGNED | CHECKED | DATE |
|-------|-------|-------|--------------------------|-----------|--------------|------------|
| mm | FREE | 12 | DIS-H-005512 | KR. AJITO | TS. MIYAZAKI | 11. 02. 09 |

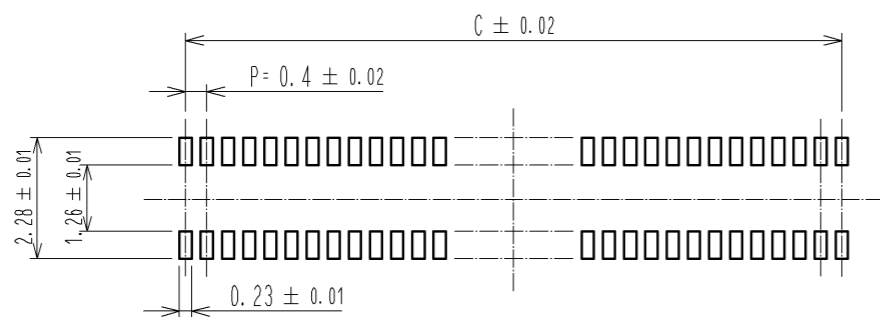
| | | | |
|---------------------------|------------|-------------|--------------------|
| APPROVED : MO. NAKAMURA | 07. 01. 29 | DRAWING NO. | EDC3-314974-01 |
| CHECKED : KH. IKEDA | 07. 01. 29 | PART NO. | DF37C-*DP-0.4V(51) |
| DESIGNED : KY. MIDORIKAWA | 07. 01. 29 | CODE NO. | |
| DRAWN : KY. MIDORIKAWA | 07. 01. 29 | | |

Oct.1.2020 Copyright 2020 HIROSE ELECTRIC CO., LTD. All Rights Reserved.
 In case of consideration for using Automotive equipment / device which demand high reliability, kindly contact our sales window correspondents.

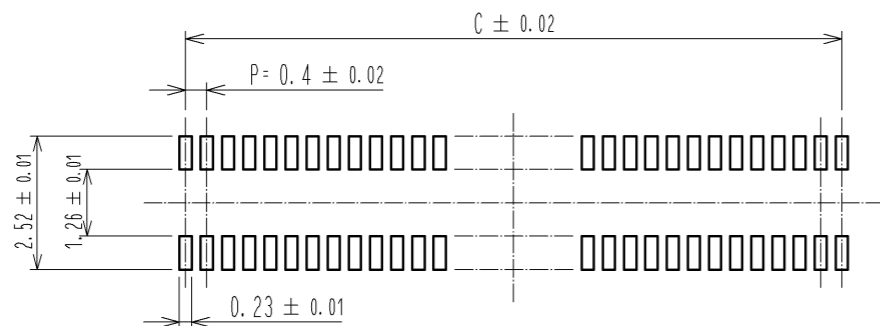
◆ RECOMMENDED PCB LAYOUT (MOUNTING SURFACE SIDE)



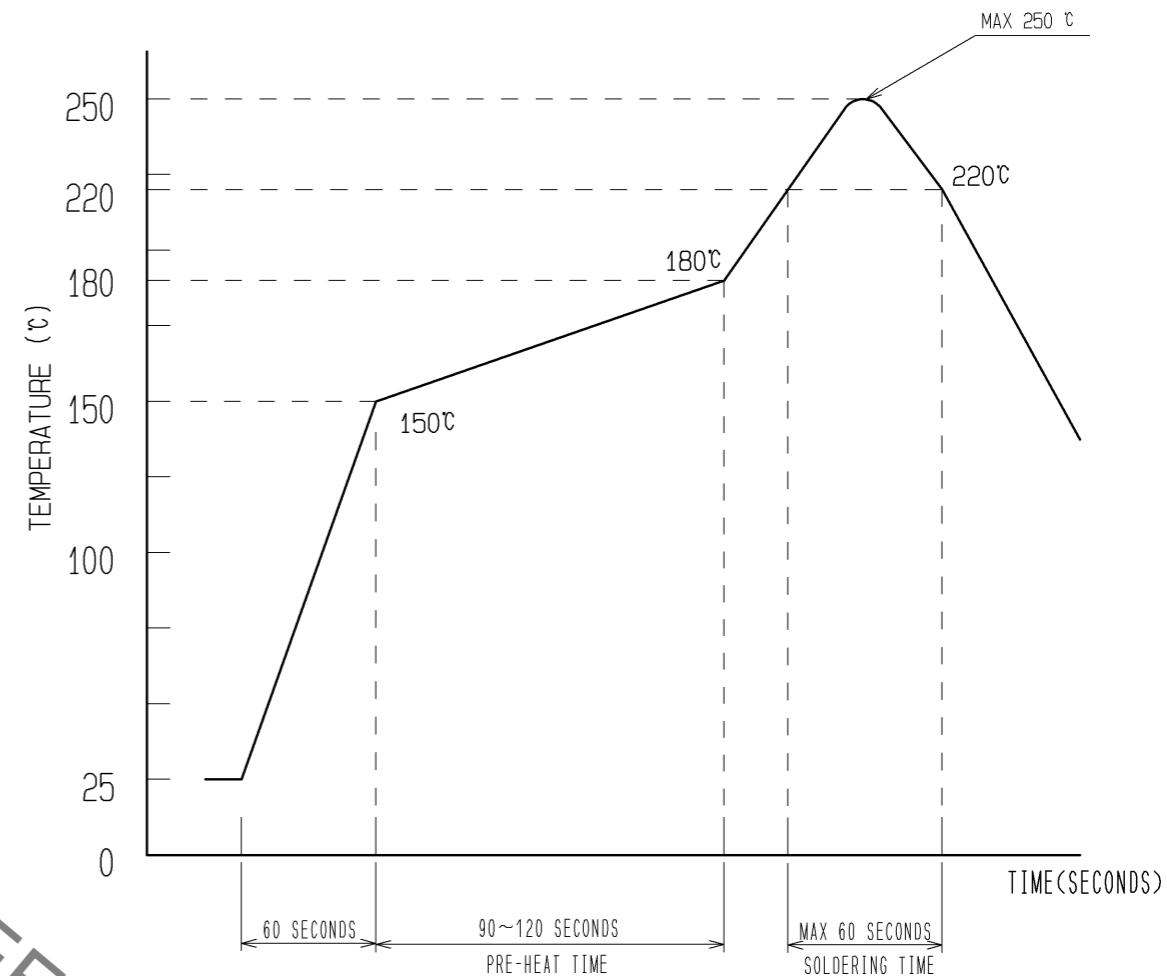
◆ RECOMMENDED METAL MASK DIMENSIONS
 METAL MASK THICKNESS : 0.12mm



◆ RECOMMENDED METAL MASK DIMENSIONS
 METAL MASK THICKNESS : 0.1mm



③ RECOMMENDED REFLOW TEMPERATURE PROFILE USING LEAD-FREE SOLDER PASTE.



1) REFLOW TIME
 REFLOW METHOD: IR REFLOW
 NUMBER OF REFLOW CYCLES: 2 CYCLES MAX.
 DURATION ABOVE 220 °C: 60 SEC. MAX.
 (PEAK TEMPERATURE: 250°C MAX.)

2) PRE-HEAT TIME
 PRE-HEAT TEMPERATURE(MIN) : 150 °C
 PRE-HEAT TEMPERATURE(MAX) : 180 °C
 PRE-HEAT TIME : 90~120 sec.

③ THIS TEMPERATURE PROFILE IS PER THE CONDITIONS SHOWN ABOVE.
 ADDITIONAL FACTORS, SUCH AS SOLDER PASTE TYPE, PCB SIZE AND
 OTHER MOUNTED COMPONENTS COULD AFFECT THE PROFILE. THEREFORE,
 A THOROUGH EVALUATION OF MOUNTING CONDITION IS REQUIRED
 PRIOR TO PRODUCTION. TEMPERATURE IS MEASURED AT CONTACT LEAD.

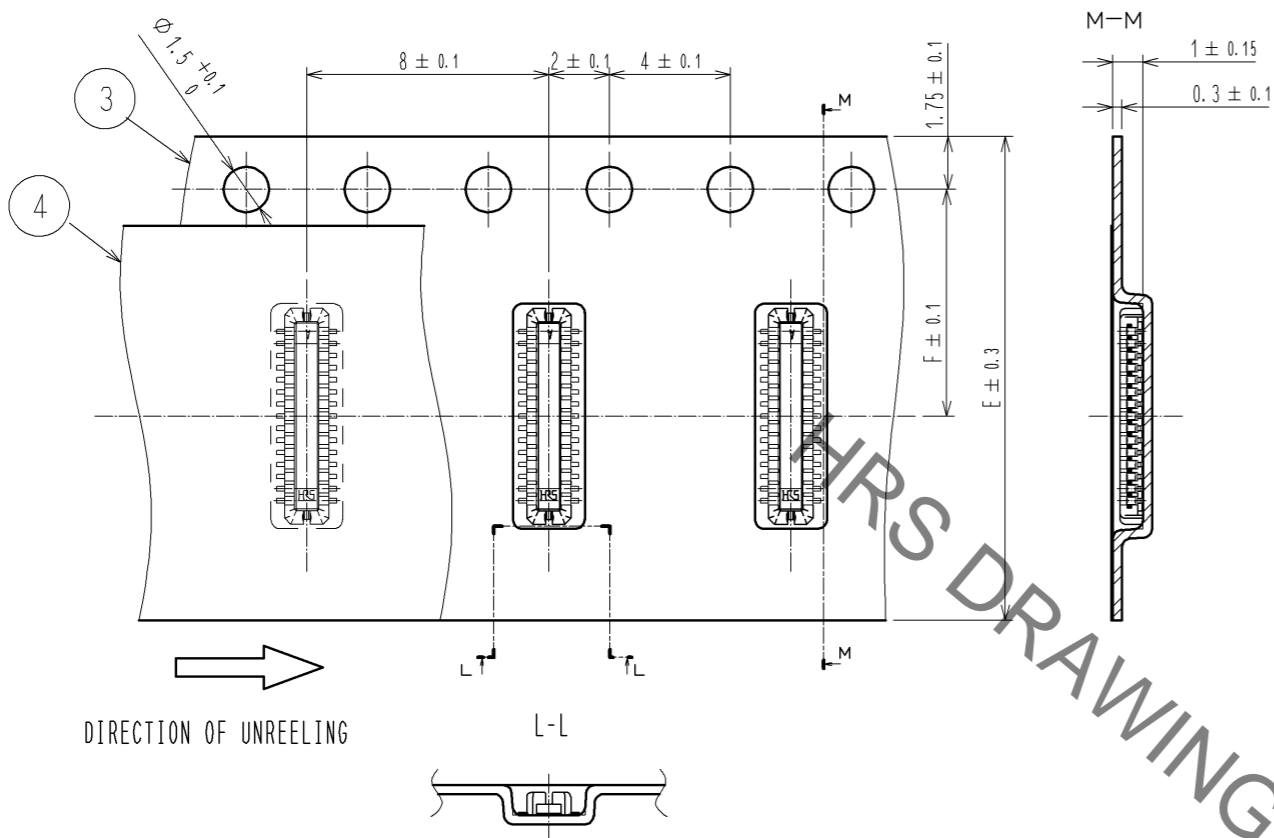
| PART No. | C |
|---------------------|------|
| DF37C-10DP-0.4V(51) | 1.6 |
| DF37C-16DP-0.4V(51) | 2.8 |
| DF37C-20DP-0.4V(51) | 3.6 |
| DF37C-24DP-0.4V(51) | 4.4 |
| DF37C-30DP-0.4V(51) | 5.6 |
| DF37C-34DP-0.4V(51) | 6.4 |
| DF37C-40DP-0.4V(51) | 7.6 |
| DF37C-44DP-0.4V(51) | 8.4 |
| DF37C-50DP-0.4V(51) | 9.6 |
| DF37C-60DP-0.4V(51) | 11.6 |
| DF37C-70DP-0.4V(51) | 13.6 |
| DF37C-74DP-0.4V(51) | 14.4 |

| | | |
|------------|-------------|--------------------|
| HRS | DRAWING NO. | EDC3-314974-01 |
| | PART NO. | DF37C-*DP-0.4V(51) |
| | CODE NO. | |

Oct.1.2020 Copyright 2020 HIROSE ELECTRIC CO., LTD. All Rights Reserved.
 In case of consideration for using Automotive equipment / device which demand high reliability, kindly contact our sales window correspondents.

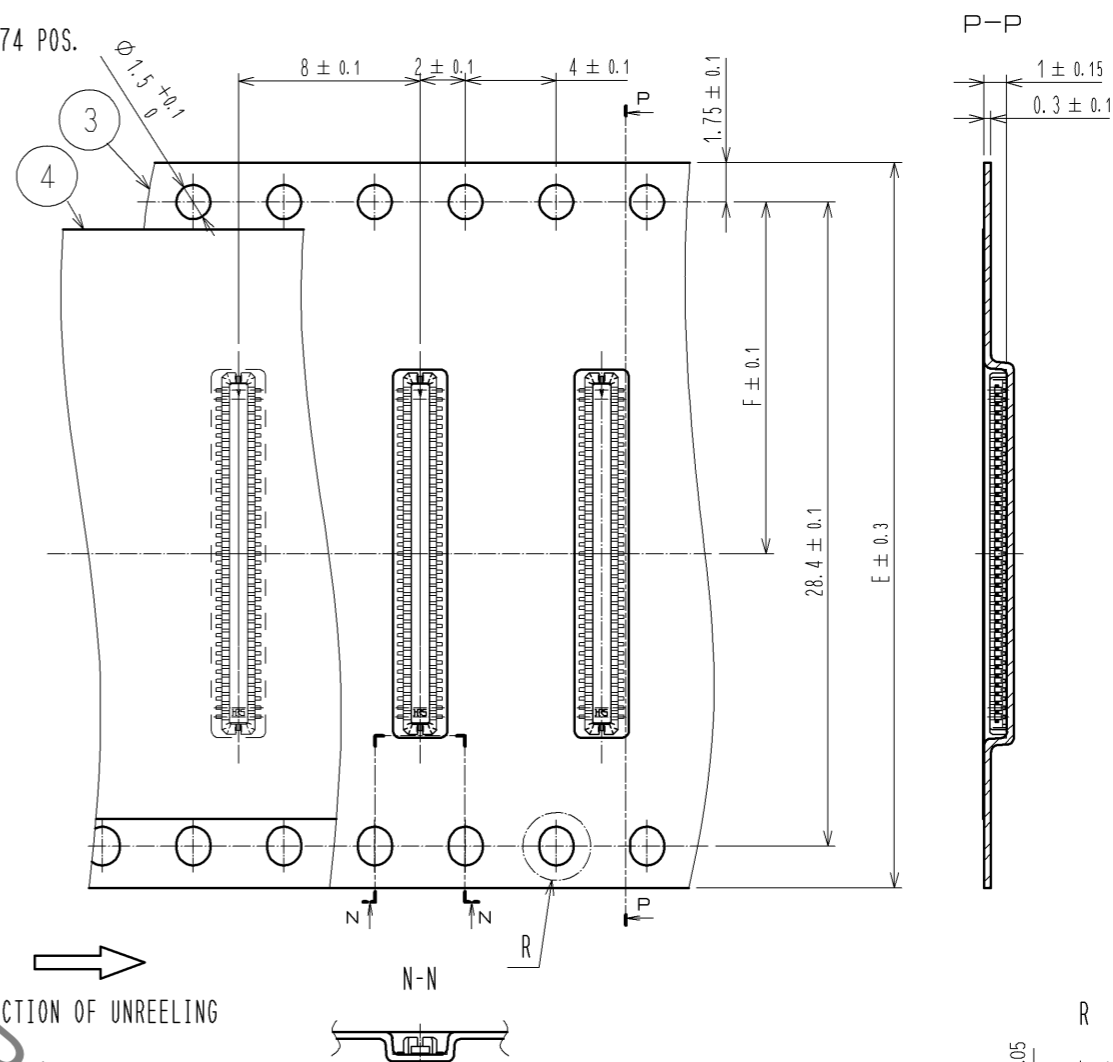
EMBOSSED CARRIER TAPE PACKAGING (FREE SIZE)

◆ LESS THAN 70 POS.

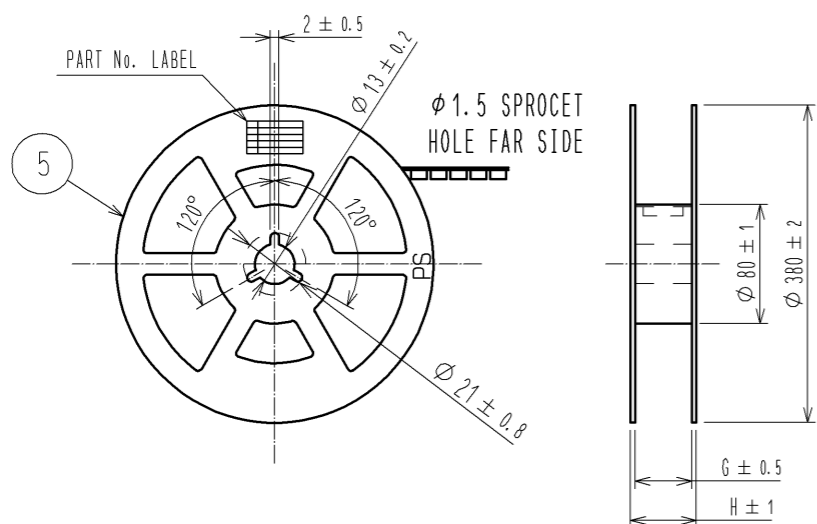


EMBOSSED CARRIER TAPE PACKAGING (FREE SIZE)

◆ 74 POS.



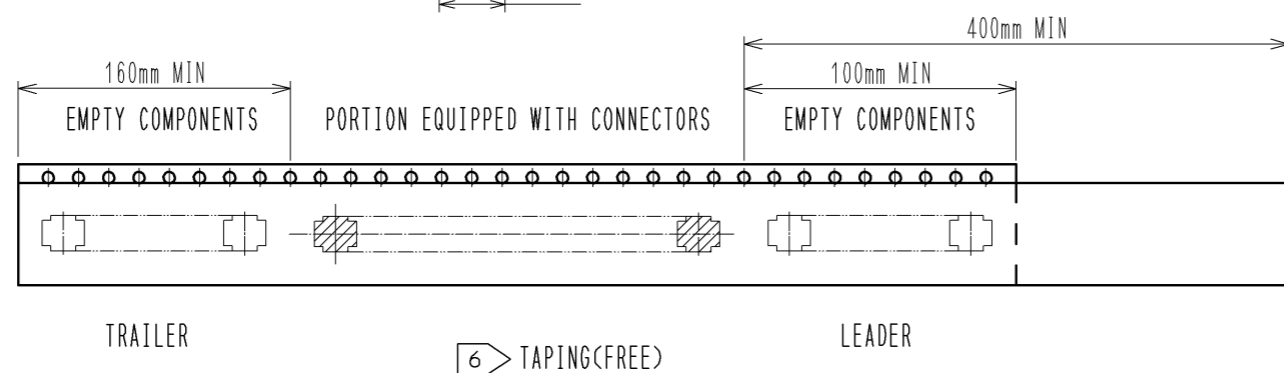
STYLE AND DIMENSION OF REEL (FREE SIZE)



7 DETAIL OF PART NO. LABEL

| | |
|----------------------|---------------------|
| SUPPLIER | |
| QUANTITY | |
| PART NO. | |
| CODE NO. | |
| DATE OF MANUFACTURED | |
| 製造年月日 | 年 月 日 |
| 製品コード | ** ** * |
| 製品名 | DF37C- *DP-0.4V(51) |
| 数量 | 8000個 |
| 納入者 | ヒロセ電機(株) |

| PART No. | E | F | G | H |
|---------------------|----|------|------|------|
| DF37C-10DP-0.4V(51) | 12 | 5.5 | 13.5 | 17.5 |
| DF37C-16DP-0.4V(51) | 16 | 7.5 | 17.5 | 21.5 |
| DF37C-20DP-0.4V(51) | 16 | 7.5 | 17.5 | 21.5 |
| DF37C-24DP-0.4V(51) | 16 | 7.5 | 17.5 | 21.5 |
| DF37C-30DP-0.4V(51) | 16 | 7.5 | 17.5 | 21.5 |
| DF37C-34DP-0.4V(51) | 16 | 7.5 | 17.5 | 21.5 |
| DF37C-40DP-0.4V(51) | 24 | 11.5 | 25.5 | 29.5 |
| DF37C-44DP-0.4V(51) | 24 | 11.5 | 25.5 | 29.5 |
| DF37C-50DP-0.4V(51) | 24 | 11.5 | 25.5 | 29.5 |
| DF37C-60DP-0.4V(51) | 24 | 11.5 | 25.5 | 29.5 |
| DF37C-70DP-0.4V(51) | 24 | 11.5 | 25.5 | 29.5 |
| DF37C-74DP-0.4V(51) | 32 | 14.2 | 33.5 | 37.5 |



NOTES 4. PER REEL 8000 CONNECTORS.

5. THE DIMENSIONS IN PARENTHESSES ARE FOR REFERENCE.

6 REFER TO JIS C 0806(PACKING OF COMPONENTS FOR AUTOMATIC HANDLING)

7 DETAIL OF PART NO. LABEL IS WRITTEN IN JAPANESE.

HRS

| | |
|-------------|---------------------|
| DRAWING NO. | EDC3-314974-01 |
| PART NO. | DF37C- *DP-0.4V(51) |
| CODE NO. | |

3/3