

PART NAME: KNOB

SCALE: 1:1

DATE: 11/4/71

DR. BY HD


 DESIGNERS & MANUFACTURERS
 OF KNOBS, HANDLES, CASES &
 CUSTOM PLASTIC COMPONENTS

P/N 3050

 THIS DRAWING IS THE PROPERTY OF DAVIES MOLDING COMPANY, IS SUBMITTED SOLELY AS A DESIGN OR ENGINEERING PROJECT.
 WE ACCEPT NO RESPONSIBILITY WHATSOEVER FOR THE PRACTICAL APPLICATION OF THE PIECES MADE TO THIS DESIGN.
M^{NO.} 3050

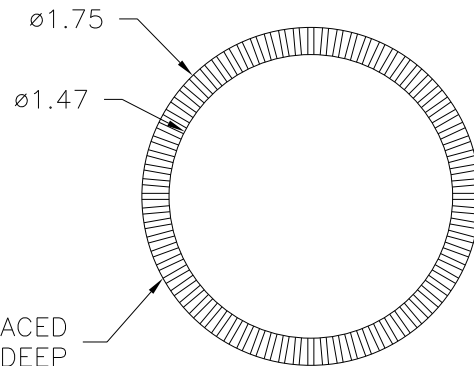
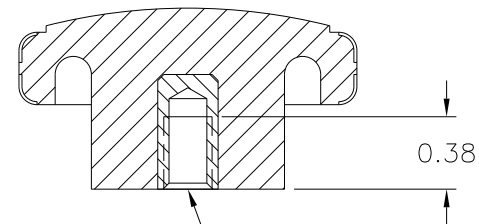
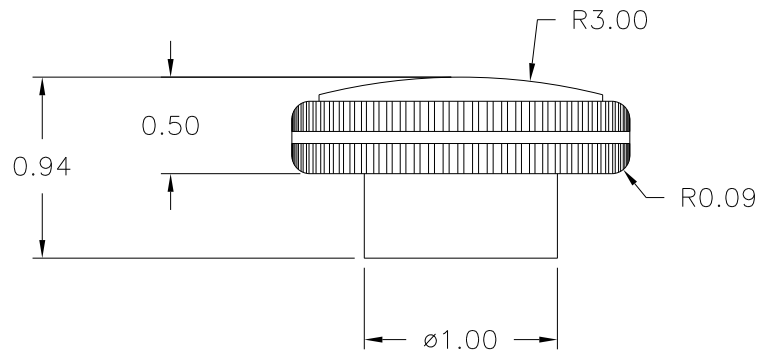
CAVITY 3050

PLUNGER 3050

PINS 3050-1&A

PIN BAR SHIM .018

INSERT I0035


 72 KNURLS EQUALLY SPACED
 0.03 WIDE X 0.02 DEEP

 1/4-20 UNC-2B THREADED
 I0035, H.H. BRASS

 MATERIAL: G.P. PHENOLIC (B41)
 COLOR: BLACK

TOLERANCES: UNLESS OTHERWISE SPECIFIED	DO NOT SCALE DRAWING	-	RE-DID REDRAW	TL	12/1/99
DECIMALS: X.XXX ± .005 X.XX ± .015	MM: X.XX ± 0.15MM X.X ± 0.4MM	-	DWG UPDATED	HD	9/24/97
FRACTIONS ± 1/64	ANG. ± 1°	-	CAD REDRAW	HD	3/2/94
CHANGES					

Mouser Electronics

Authorized Distributor

Click to View Pricing, Inventory, Delivery & Lifecycle Information:

[Davies Molding:](#)

[3050](#)