

5

4

3

2

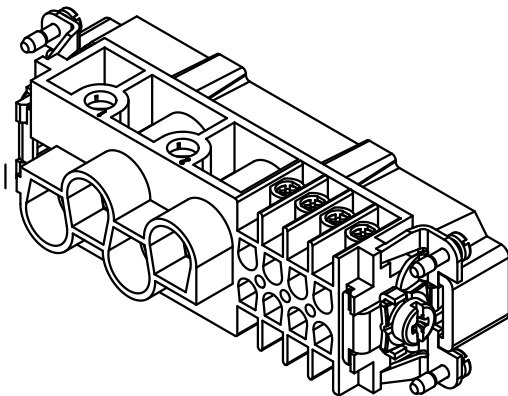
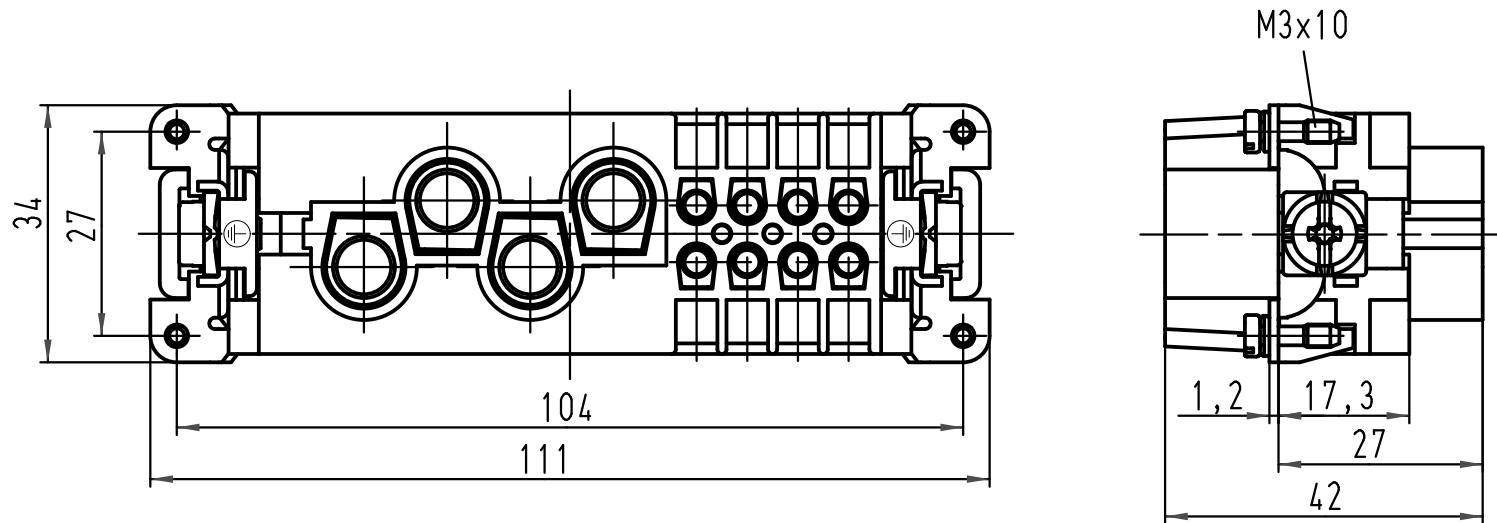
1

D

C

B

A



All Dimensions in mm Original Size DIN A 4			Techn. Character.			Nicht tolerierte Masse/ Free size tolerances			
				Dat.	Name	Massstab/ Scale			
				Detail.	15.02.93	PENNER	Han K4/8-M Stifteinsatz / male insert		
				Insp.		HERB			
				Stand.					
411073	07.06.04	Ho	HARTING Electric GmbH & Co. KG				TB 09 38 012 2601		
27361	15.05.00	Gö	D-32339 Espelkamp						
19002	06.07.95	SPER							
Mod.	Dat.	Name				Sub. TB 09 38 012 2601 v. 30.06.87			
						Blatt/ page			

Mouser Electronics

Authorized Distributor

Click to View Pricing, Inventory, Delivery & Lifecycle Information:

[HARTING:](#)

[09380122601](#)