



OD4015 Series

DC Fan - 5V, 12V, 24V
40 x 15mm (1.58 x .59in)



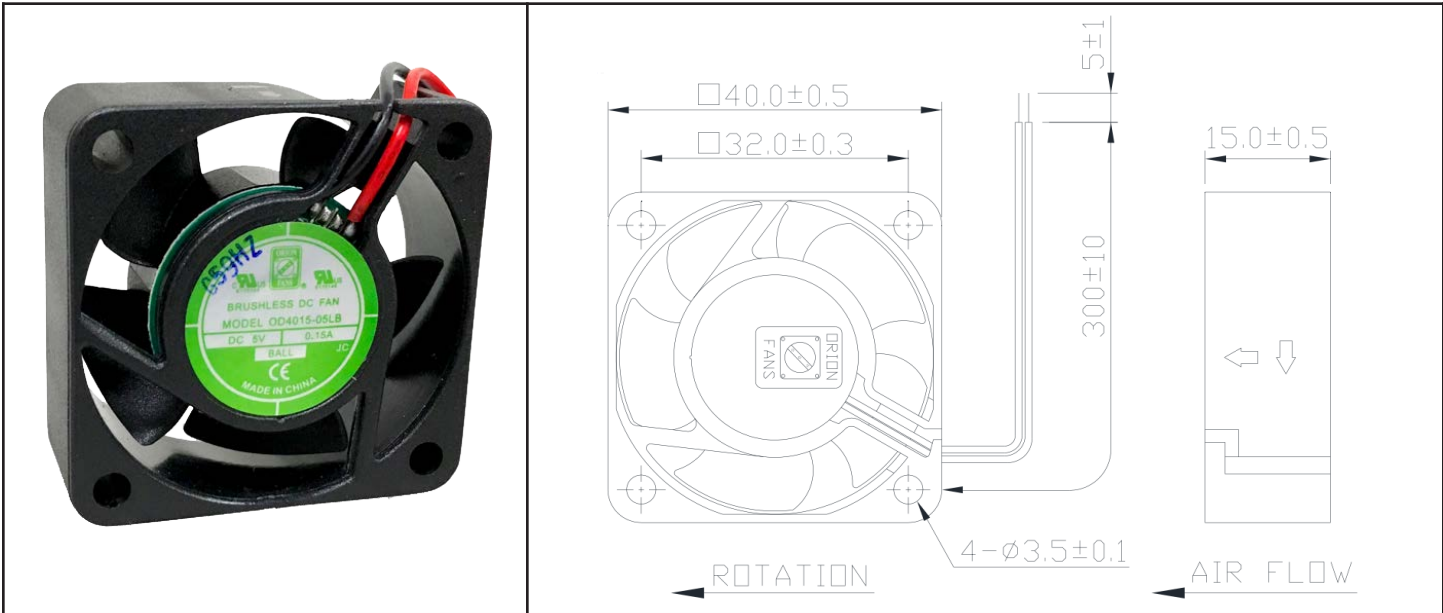
Model #	Pg #	Voltage	RPM	CFM	Noise Level	Max Static Pressure
OD4015-05HB	2	5 VDC	8000	8.5	36 dB	.25 H ₂ O
OD4015-05HB02A	3	5 VDC	8000	8.5	36 dB	.25 H ₂ O
OD4015-05LB	4	5 VDC	6000	6.8	26 dB	.16 H ₂ O
OD4015-12HB	5	12 VDC	8000	8.5	36 dB	.25 H ₂ O
OD4015-12HB02A	6	12 VDC	8000	8.5	36 dB	.25 H ₂ O
OD4015-12LB	7	12 VDC	6000	6.8	26 dB	.16 H ₂ O
OD4015-12LB02A	8	12 VDC	6000	6.8	26 dB	.16 H ₂ O
OD4015-12MB	9	12 VDC	7000	8.1	32 dB	.23 H ₂ O
OD4015-24HB	10	24 VDC	8000	8.5	36 dB	.25 H ₂ O
OD4015-24LB	11	24 VDC	6000	6.8	29 dB	.16 H ₂ O
OD4015-24LB02A	12	24 VDC	6000	6.8	29 dB	.16 H ₂ O

** For some models and part numbers, minimum order quantities may apply.

OD4015-05HB



DC Fan, 5VDC
40x15mm (1.58x.59in)



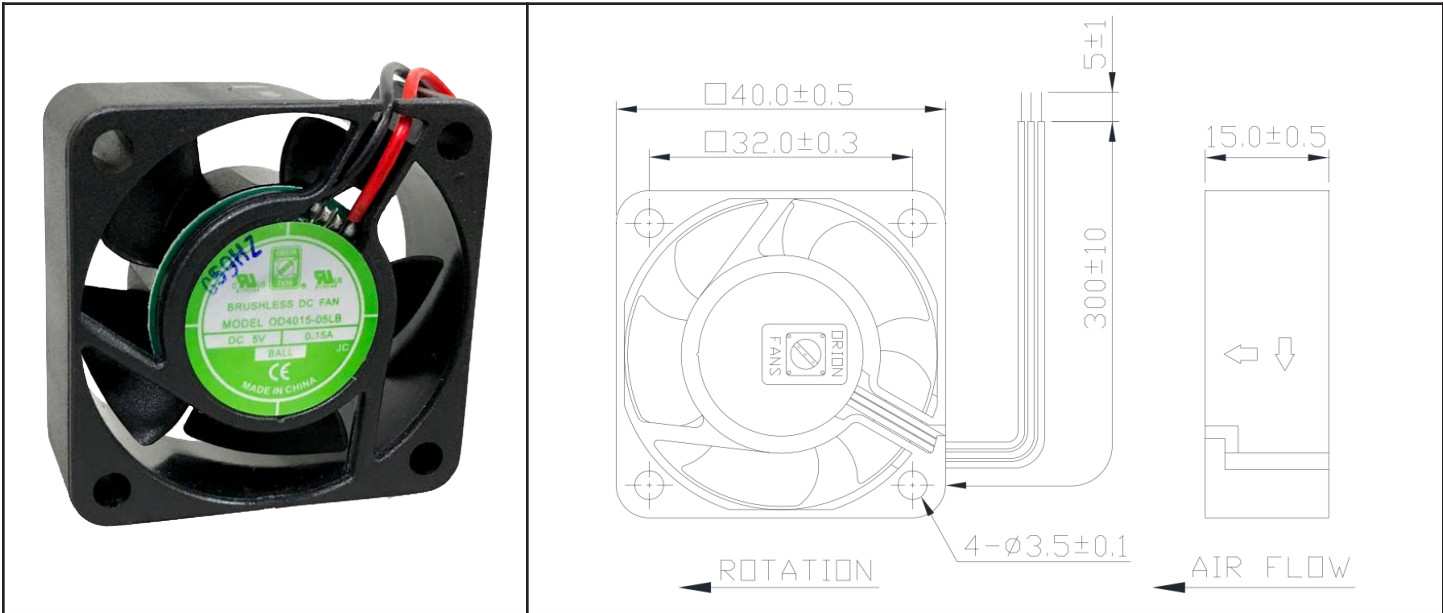
Frame & Impeller	PBT, UL94V-0 plastic	Available Options IP55 Other speeds and voltages Tachometer Alarm *Connection: Wire Leads - UL1007 26AWG Red(+), Black (-) Weight: 24 g	
Connection	2x Lead wires *		
Motor	Brushless DC, auto restart, polarity protected.		
Bearing System	Dual ball bearing		
Insulation Resistance	Min. 10M at 500VDC		
Dielectric Strength	1 second at 500VAC max leakage 500 microamp		
Temperature Range	-10C ~ +70C		
Storage Temperature	-40C ~ +80C		
Life (L10)	70,000 hours (40C)		

Model Number	OD4015-05HB
Part Number	146541001
Nominal Voltage	5 VDC
Voltage Range	4 ~ 5.5 VDC
Nominal Current	.25 A
Rated Power	1.5 Watts
Rated Speed (RPM)	8000
Airflow (CFM)	8.5
Noise Level (dB)	36
Max. Static Pressure	.25 "H ₂ O

OD4015-05HB02A



DC Fan, 5VDC
40x15mm (1.58x.59in)



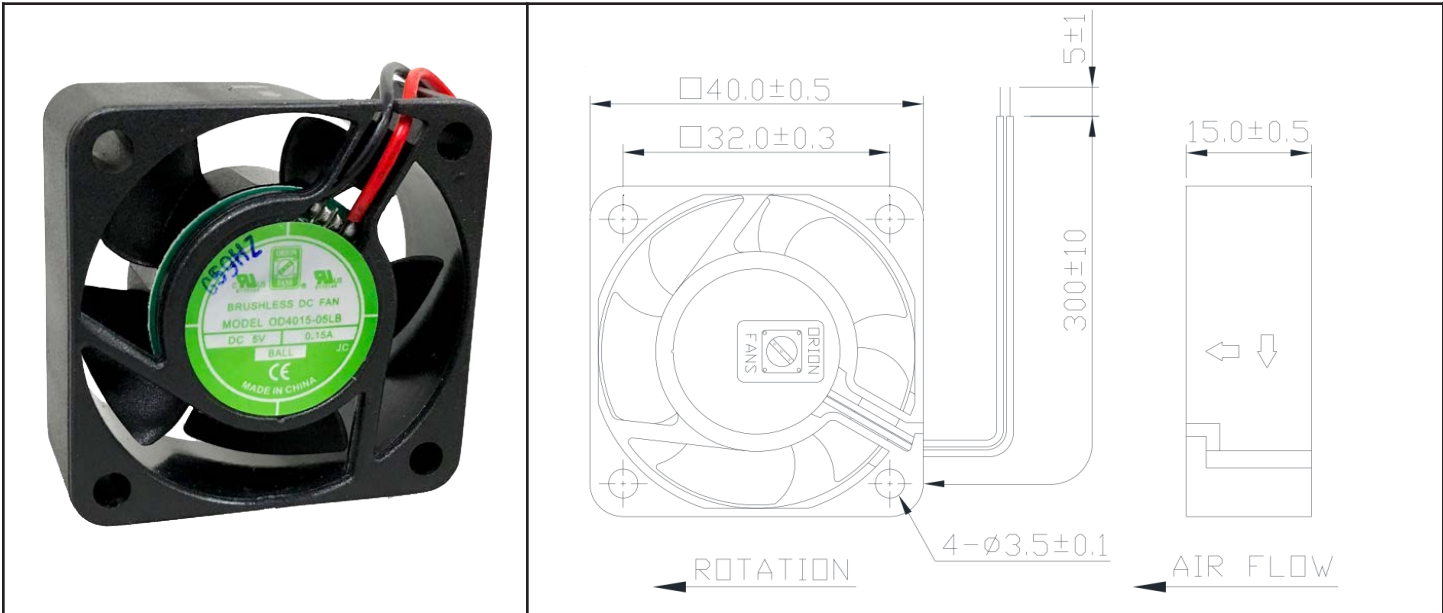
Frame & Impeller	PBT, UL94V-0 plastic	Available Options IP55 Other speeds and voltages Tachometer *Connection: Wire Leads - UL1007 26AWG Red(+), Black (-) Yellow Alarm, Weight: 24 g	
Connection	3x Lead wires *		
Motor	Brushless DC, auto restart, polarity protected.		
Bearing System	Dual ball bearing		
Insulation Resistance	Min. 10M at 500VDC		
Dielectric Strength	1 second at 500VAC max leakage 500 microamp		
Temperature Range	-10C ~ +70C		
Storage Temperature	-40C ~ +80C		
Life (L10)	70,000 hours (40C)		

Model Number	OD4015-05HB02A	Output of locked signal *Output type.....Open collector type *Electrical design suggestion: (External signal function design is decided by customer) *Transistor Q1 at "ON" position Collector current.....Ic=10mA Max Saturation Voltage.....Vce=1.0V Max (Between Collector and Emitter at Ic=10mA) *Transistor Q1 at "OFF" position Release Voltage.....Vce=5.5V Max *Output waveform
Part Number	146541231	
Nominal Voltage	5 VDC	
Voltage Range	4 ~ 5.5 VDC	
Nominal Current	.25 A	
Rated Power	1.5 Watts	
Rated Speed (RPM)	8000	
Airflow (CFM)	8.5	
Noise Level (dB)	36	
Max. Static Pressure	.25 "H ₂ O	

OD4015-05LB



DC Fan, 5 VDC
40x15mm (1.58x.59in)



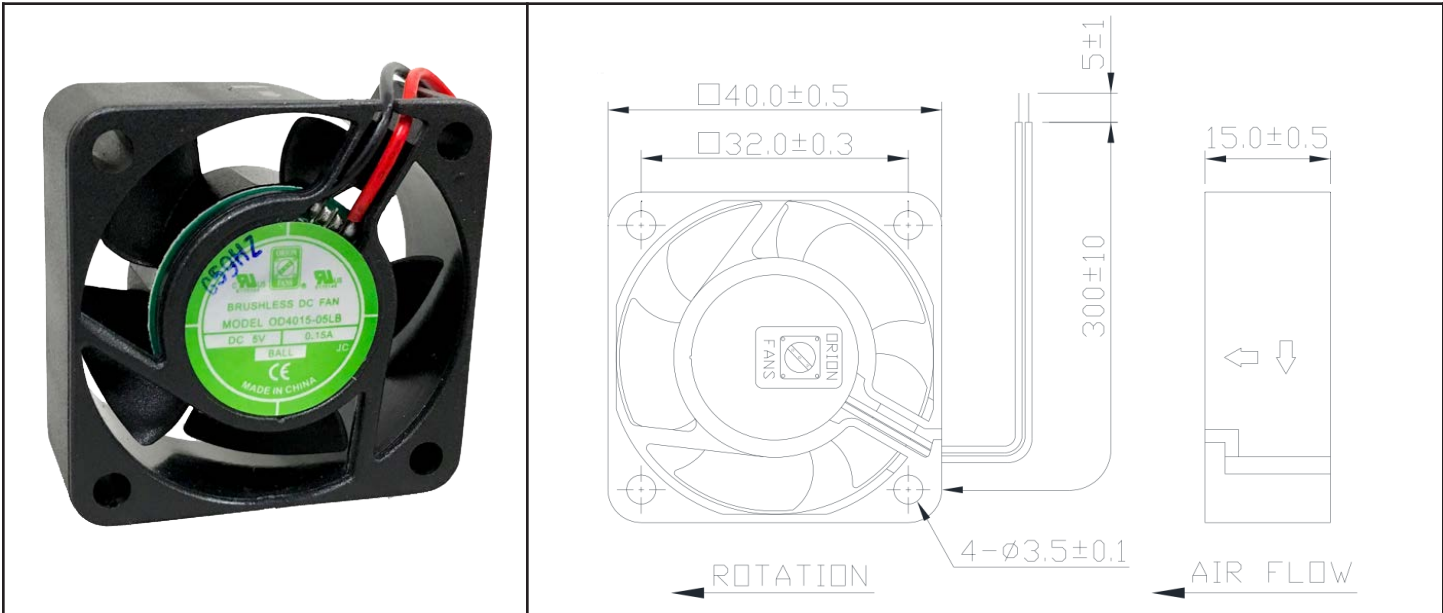
Frame & Impeller	PBT, UL94V-0 plastic	Available Options IP55 Other speeds and voltages Tachometer Alarm *Connection: Wire Leads - UL1007 26AWG Red(+), Black (-) Weight: 24 g	
Connection	2x Lead wires *		
Motor	Brushless DC, auto restart, polarity protected.		
Bearing System	Dual ball bearing		
Insulation Resistance	Min. 10M at 500VDC		
Dielectric Strength	1 second at 500VAC max leakage 500 microamp		
Temperature Range	-10C ~ +70C		
Storage Temperature	-40C ~ +80C		
Life (L10)	70,000 hours (40C)		

Model Number	OD4015-05LB
Part Number	145121001
Nominal Voltage	5 VDC
Voltage Range	4 ~ 5.5 VDC
Nominal Current	.15 A
Rated Power	1.5 Watts
Rated Speed (RPM)	6000
Airflow (CFM)	6.8
Noise Level (dB)	26
Max. Static Pressure	.16 "H ₂ O

OD4015-12HB



DC Fan, 12VDC
40x15mm (1.58x.59in)



Frame & Impeller	PBT, UL94V-0 plastic	Available Options IP55 Other speeds and voltages Tachometer Alarm *Connection: Wire Leads - UL1007 26AWG Red(+), Black (-), Weight: 24 g	
Connection	2x Lead wires *		
Motor	Brushless DC, auto restart, polarity protected.		
Bearing System	Dual ball bearing		
Insulation Resistance	Min. 10M at 500VDC		
Dielectric Strength	1 second at 500VAC max leakage 500 microamp		
Temperature Range	-10C ~ +70C		
Storage Temperature	-40C ~ +80C		
Life (L10)	70,000 hours (40C)		

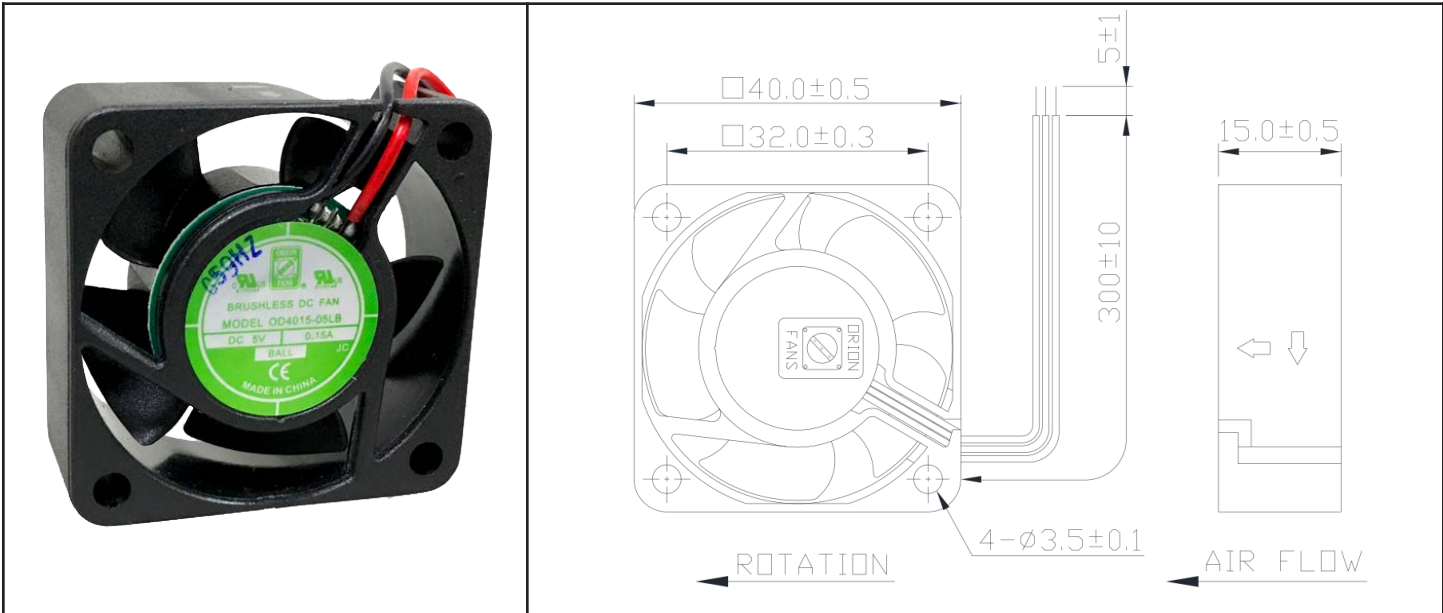
Model Number	OD4015-12HB
Part Number	146141001
Nominal Voltage	12 VDC
Voltage Range	9 ~ 13.2 VDC
Nominal Current	.11 A
Rated Power	1.8 Watts
Rated Speed (RPM)	8000
Airflow (CFM)	8.5
Noise Level (dB)	36
Max. Static Pressure	.25 "H ₂ O



OD4015-12HB02A



DC Fan, 12VDC
40x15mm (1.58x.59in)



Frame & Impeller	PBT, UL94V-0 plastic	Available Options IP55 Other speeds and voltages Tachometer *Connection: Wire Leads - UL1007 26AWG Red(+), Black (-) Alarm Yellow Weight: 24 g	
Connection	3x Lead wires *		
Motor	Brushless DC, auto restart, polarity protected.		
Bearing System	Dual ball bearing		
Insulation Resistance	Min. 10M at 500VDC		
Dielectric Strength	1 second at 500VAC max leakage 500 microamp		
Temperature Range	-10C ~ +70C		
Storage Temperature	-40C ~ +80C		
Life (L10)	70,000 hours (40C)		

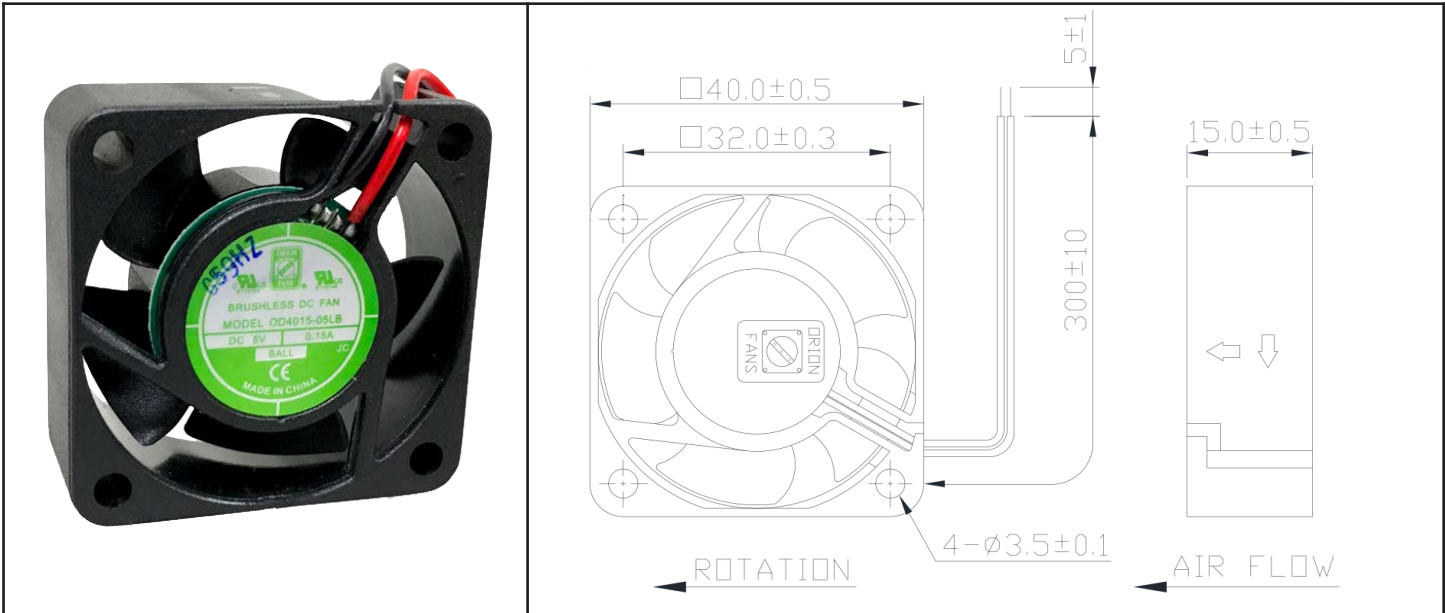
Model Number	OD4015-12HB02A
Part Number	146141231
Nominal Voltage	12 VDC
Voltage Range	9 ~ 13.2 VDC
Nominal Current	.11 A
Rated Power	1.8 Watts
Rated Speed (RPM)	8000
Airflow (CFM)	8.5
Noise Level (dB)	36
Max. Static Pressure	.25 "H ₂ O



OD4015-12LB



DC Fan, 12VDC
40x15mm (1.58x.59in)



Frame & Impeller	PBT, UL94V-0 plastic	Available Options IP55 Other speeds and voltages Tachometer Alarm *Connection: Wire Leads - UL1007 26AWG Red(+), Black (-) Weight: 24 g	
Connection	2x Lead wires *		
Motor	Brushless DC, auto restart, polarity protected.		
Bearing System	Dual ball bearing		
Insulation Resistance	Min. 10M at 500VDC		
Dielectric Strength	1 second at 500VAC max leakage 500 microamp		
Temperature Range	-10C ~ +70C		
Storage Temperature	-40C ~ +80C		
Life (L10)	70,000 hours (40C)		

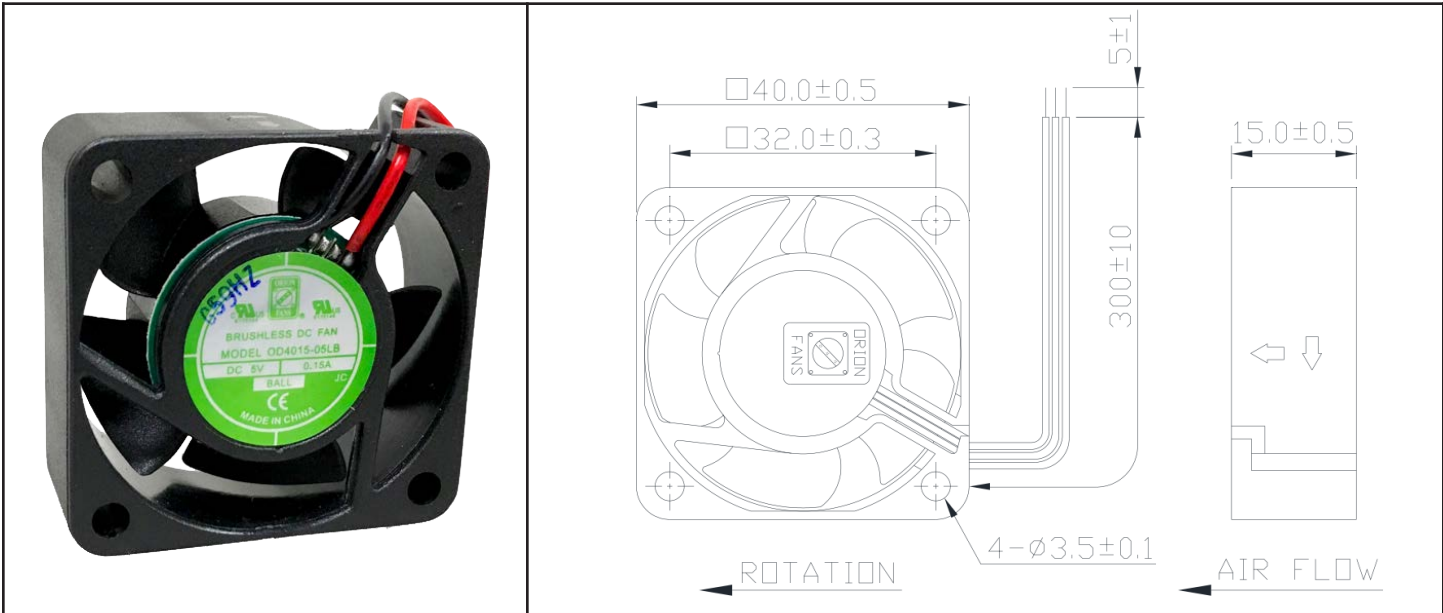
Model Number	OD4015-12LB
Part Number	146121001
Nominal Voltage	12 VDC
Voltage Range	9 ~ 13.2 VDC
Nominal Current	.052 A
Rated Power	1.2 Watts
Rated Speed (RPM)	6000
Airflow (CFM)	6.8
Noise Level (dB)	26
Max. Static Pressure	.16 "H ₂ O



OD4015-12LB02A



DC Fan, 12VDC
40x15mm (1.58x.59in)

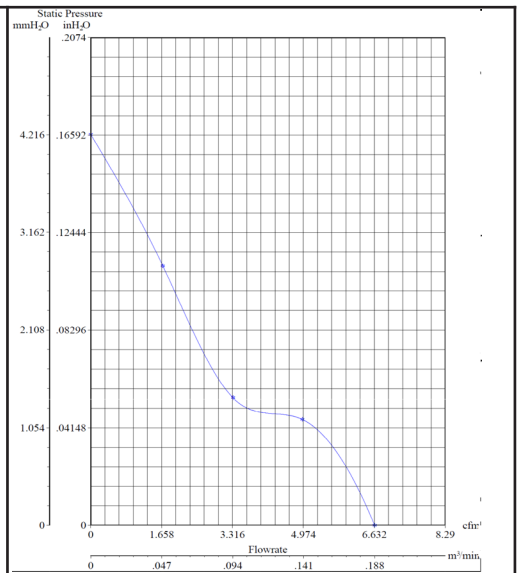


Frame & Impeller	PBT, UL94V-0 plastic
Connection	3x Lead wires *
Motor	Brushless DC, auto restart, polarity protected.
Bearing System	Dual ball bearing
Insulation Resistance	Min. 10M at 500VDC
Dielectric Strength	1 second at 500VAC max leakage 500 microamp
Temperature Range	-10C ~ +70C
Storage Temperature	-40C ~ +80C
Life (L10)	70,000 hours (40C)

Available Options
IP55
Other speeds and voltages
Tachometer

*Connection:
Wire Leads - UL1007
26AWG Red(+), Black (-)
Yellow Alarm

Weight: 24 g



Model Number	OD4015-12LB02A
Part Number	146121231
Nominal Voltage	12 VDC
Voltage Range	9 ~ 13.2 VDC
Nominal Current	.05 A
Rated Power	1.44 Watts
Rated Speed (RPM)	6000
Airflow (CFM)	6.8
Noise Level (dB)	26
Max. Static Pressure	.16 "H ₂ O

Output of locked signal
*Output type..... Open collector type
*Electrical design suggestion:
(External signal function design is decided by customer)

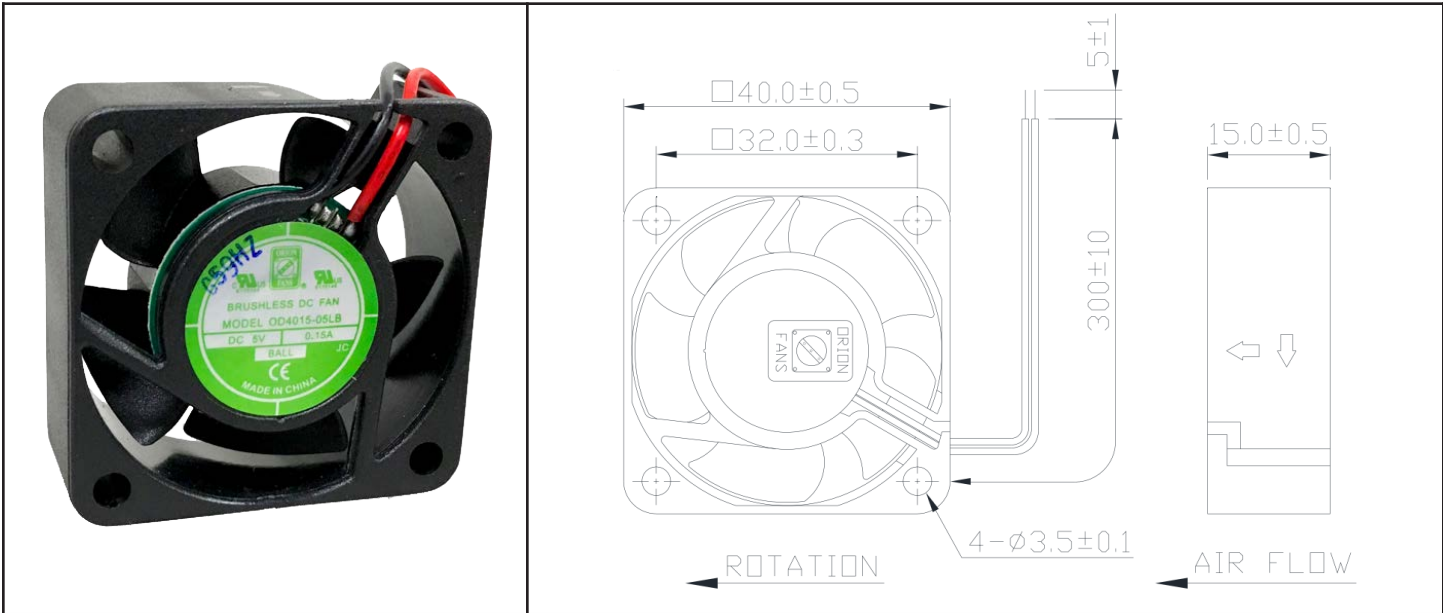
*Transistor Q1 at "ON" position
Collector current..... I_c=10mA Max
Saturation Voltage..... V_{ce}=1.0V Max
(Between Collector and Emitter at I_c=10mA)
*Transistor Q1 at "OFF" position
Release Voltage..... V_{ce}=30V Max

*Output waveform

OD4015-12MB



DC Fan, 12VDC
40x15mm (1.58x.59in)



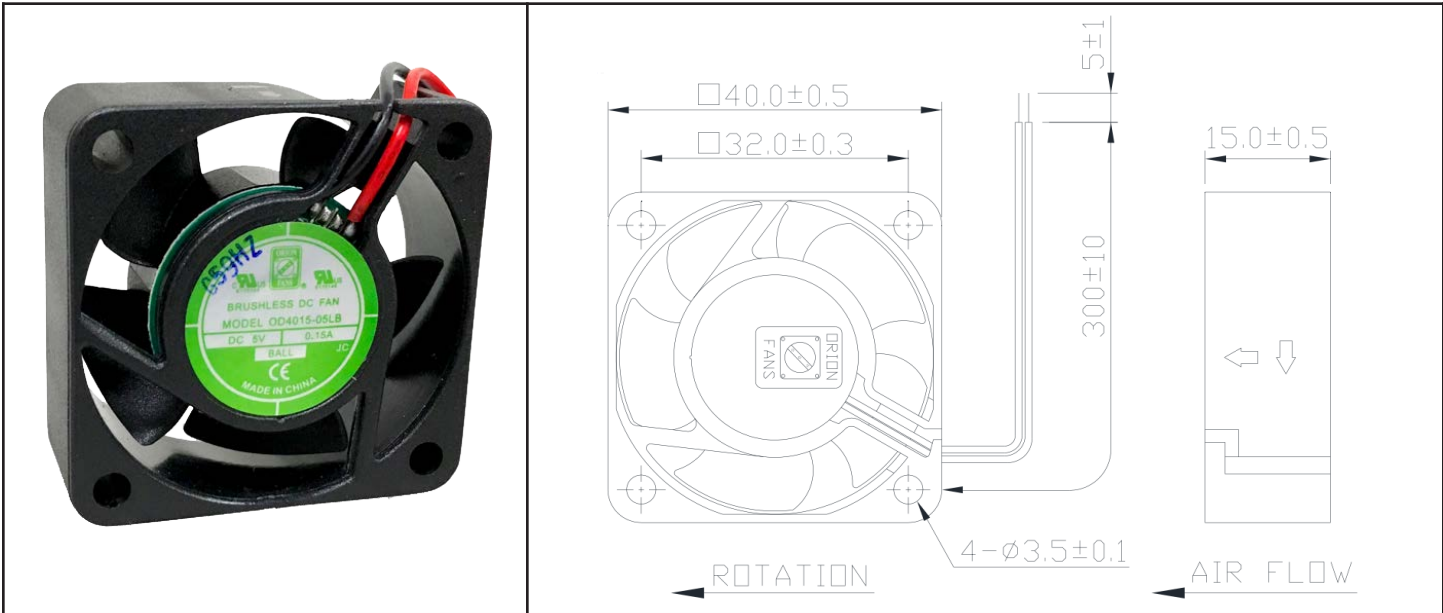
Frame & Impeller	PBT, UL94V-0 plastic	Available Options IP55 Other speeds and voltages Tachometer Alarm *Connection: Wire Leads - UL1007 26AWG Red(+), Black (-) Weight: 24 g	
Connection	2x Lead wires *		
Motor	Brushless DC, auto restart, polarity protected.		
Bearing System	Dual ball bearing		
Insulation Resistance	Min. 10M at 500VDC		
Dielectric Strength	1 second at 500VAC max leakage 500 microamp		
Temperature Range	-10C ~ +70C		
Storage Temperature	-40C ~ +80C		
Life (L10)	70,000 hours (40C)		

Model Number	OD4015-12MB
Part Number	146131001
Nominal Voltage	12 VDC
Voltage Range	9 ~ 13.2 VDC
Nominal Current	.088 A
Rated Power	1.44 Watts
Rated Speed (RPM)	7000
Airflow (CFM)	8.1
Noise Level (dB)	32
Max. Static Pressure	.23 "H ₂ O

OD4015-24HB



DC Fan, 24VDC
40x15mm (1.58x.59in)



Frame & Impeller	PBT, UL94V-0 plastic	Available Options IP55 Other speeds and voltages Tachometer Alarm *Connection: Wire Leads - UL1007 26AWG Red(+), Black (-), Weight: 24 g	
Connection	2x Lead wires *		
Motor	Brushless DC, auto restart, polarity protected.		
Bearing System	Dual ball bearing		
Insulation Resistance	Min. 10M at 500VDC		
Dielectric Strength	1 second at 500VAC max leakage 500 microamp		
Temperature Range	-10C ~ +70C		
Storage Temperature	-40C ~ +80C		
Life (L10)	70,000 hours (40C)		

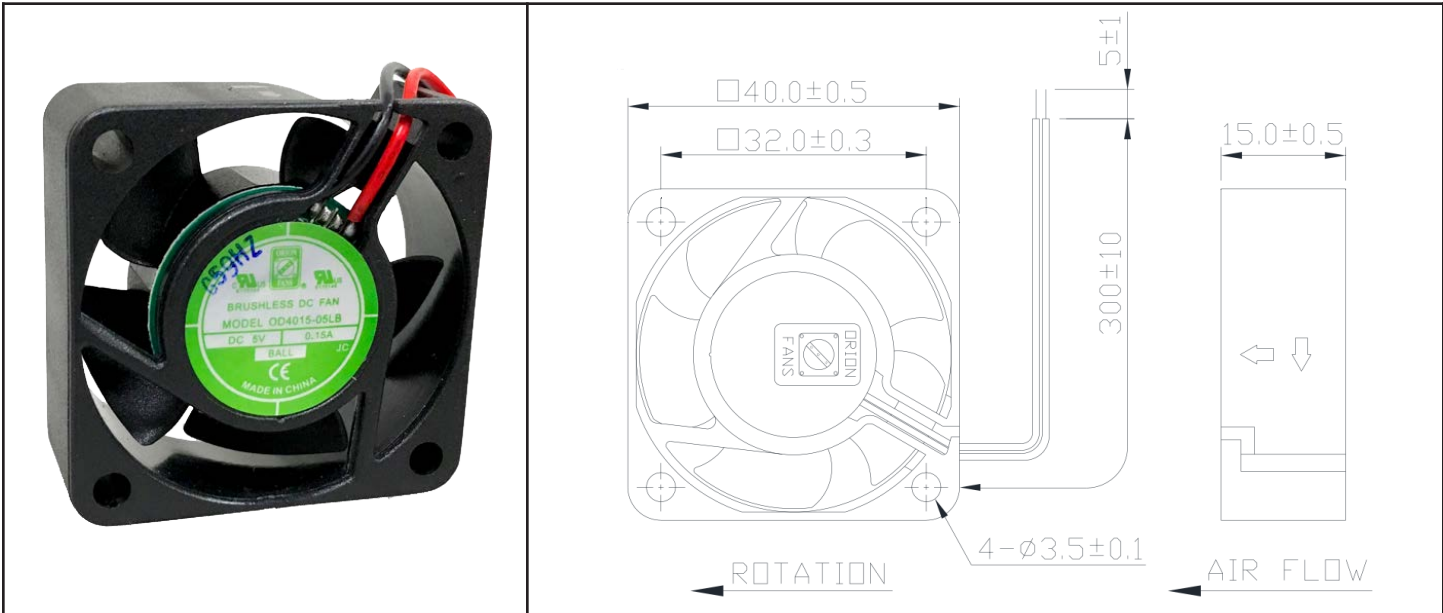
Model Number	OD4015-24HB
Part Number	146241001
Nominal Voltage	24 VDC
Voltage Range	17~ 26.4 VDC
Nominal Current	.06 A
Rated Power	1.92 Watts
Rated Speed (RPM)	8000
Airflow (CFM)	8.5
Noise Level (dB)	36
Max. Static Pressure	.25 "H ₂ O



OD4015-24LB



DC Fan, 24VDC
40x15mm (1.58x.59in)



Frame & Impeller	PBT, UL94V-0 plastic	<u>Available Options</u> IP55 Other speeds and voltages Tachometer Alarm *Connection: Wire Leads - UL1007 26AWG Red(+), Black (-), Weight: 24 g	
Connection	2x Lead wires *		
Motor	Brushless DC, auto restart, polarity protected.		
Bearing System	Dual ball bearing		
Insulation Resistance	Min. 10M at 500VDC		
Dielectric Strength	1 second at 500VAC max leakage 500 microamp		
Temperature Range	-10C ~ +70C		
Storage Temperature	-40C ~ +80C		
Life (L10)	70,000 hours (40C)		

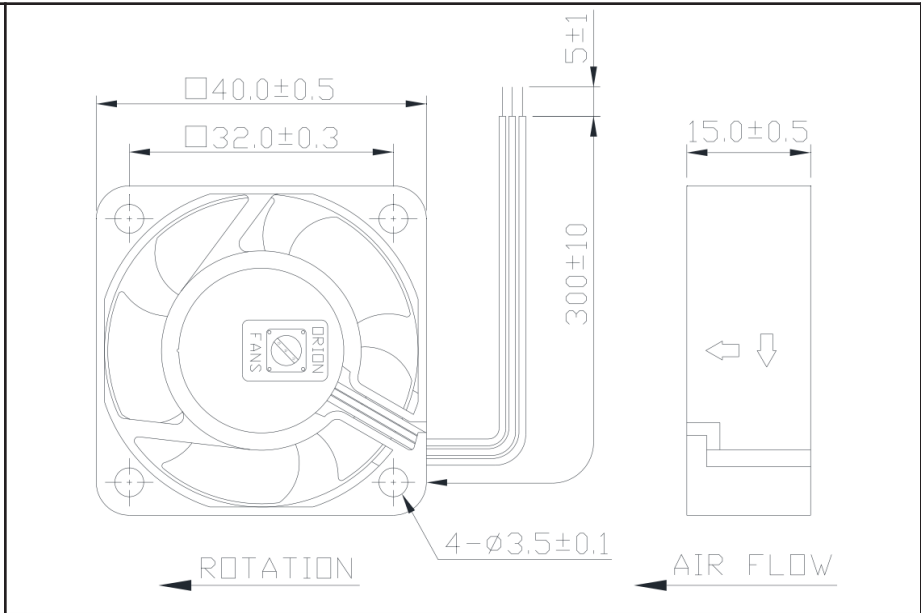
Model Number	OD4015-24LB
Part Number	146221001
Nominal Voltage	24 VDC
Voltage Range	17~ 26.4 VDC
Nominal Current	.06 A
Rated Power	1.92 Watts
Rated Speed (RPM)	6000
Airflow (CFM)	6.8
Noise Level (dB)	29
Max. Static Pressure	.16 "H ₂ O



OD4015-24LB02A



DC Fan, 24VDC
40x15mm (1.58x.59in)

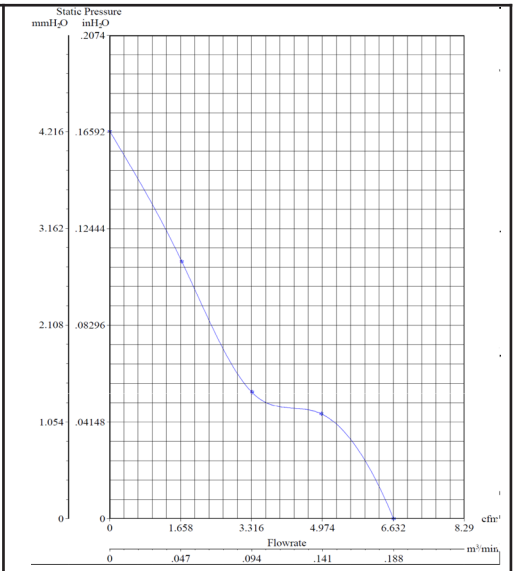


Frame & Impeller	PBT, UL94V-0 plastic
Connection	3x Lead wires *
Motor	Brushless DC, auto restart, polarity protected.
Bearing System	Dual ball bearing
Insulation Resistance	Min. 10M at 500VDC
Dielectric Strength	1 second at 500VAC max leakage 500 microamp
Temperature Range	-10C ~ +70C
Storage Temperature	-40C ~ +80C
Life (L10)	70,000 hours (40C)

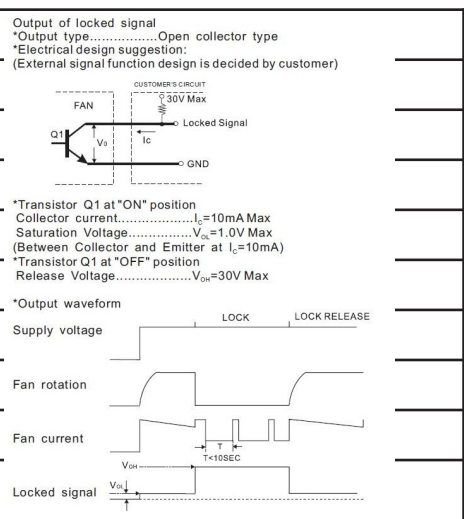
Available Options
 IP55
 Other speeds and voltages
 Tachometer Alarm

*Connection:
 Wire Leads - UL1007
 26AWG Red(+), Black (-), Yellow Alarm

Weight: 24 g



Model Number	OD4015-24LB02A
Part Number	146221231
Nominal Voltage	24 VDC
Voltage Range	17~ 26.4 VDC
Nominal Current	.06 A
Rated Power	1.92 Watts
Rated Speed (RPM)	6000
Airflow (CFM)	6.8
Noise Level (dB)	29
Max. Static Pressure	.16 "H ₂ O



Mouser Electronics

Authorized Distributor

Click to View Pricing, Inventory, Delivery & Lifecycle Information:

Orion Fans:

[OD4015-24LB02A](#) [OD4015-24HB](#) [OD4015-12HB](#) [OD4015-05LB](#) [OD4015-12LB](#) [OD4015-05HB](#) [OD4015-12MB](#)
[OD4015-12HB02A](#) [OD4015-05HB02A](#) [OD4015-24LB](#) [OD4015-12LB02A](#)