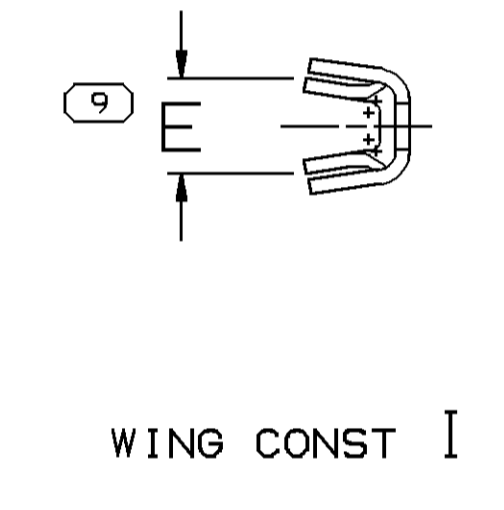
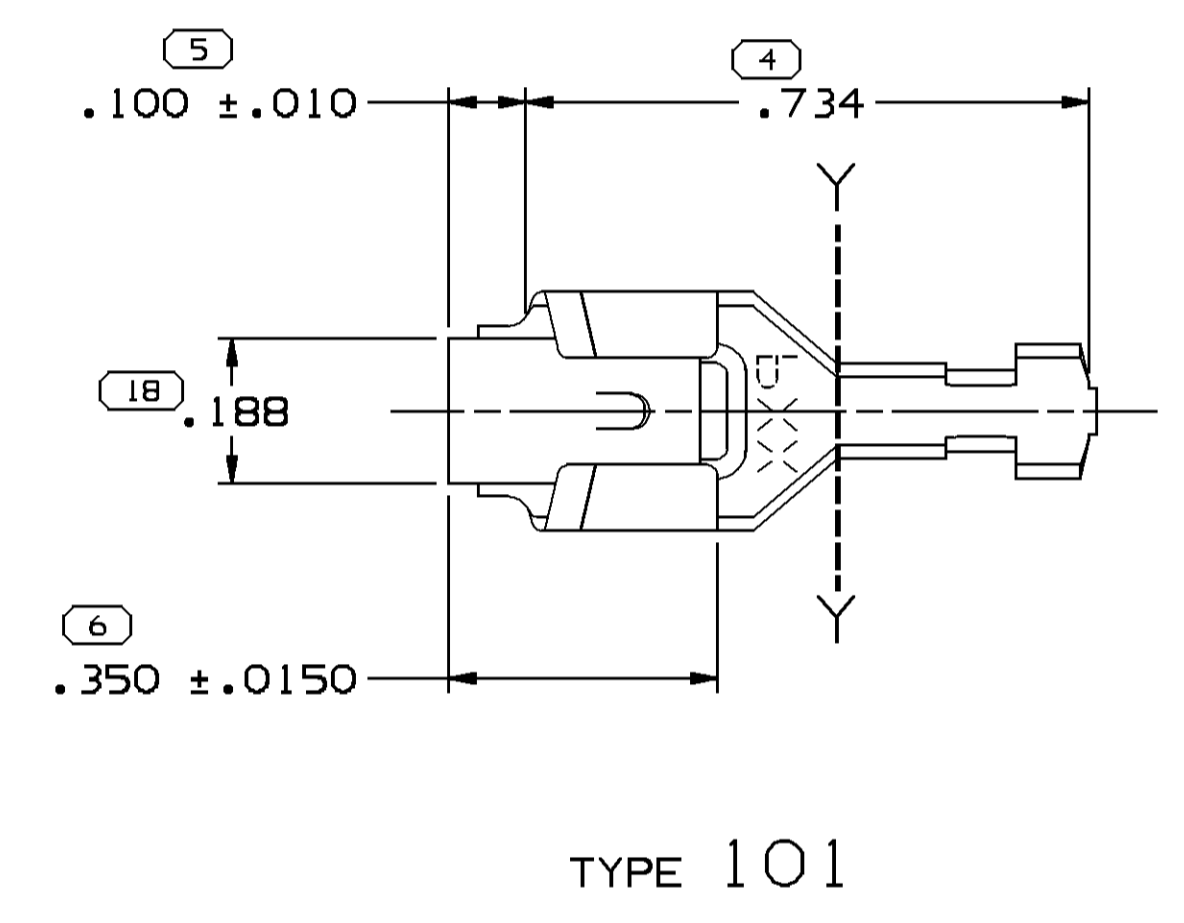
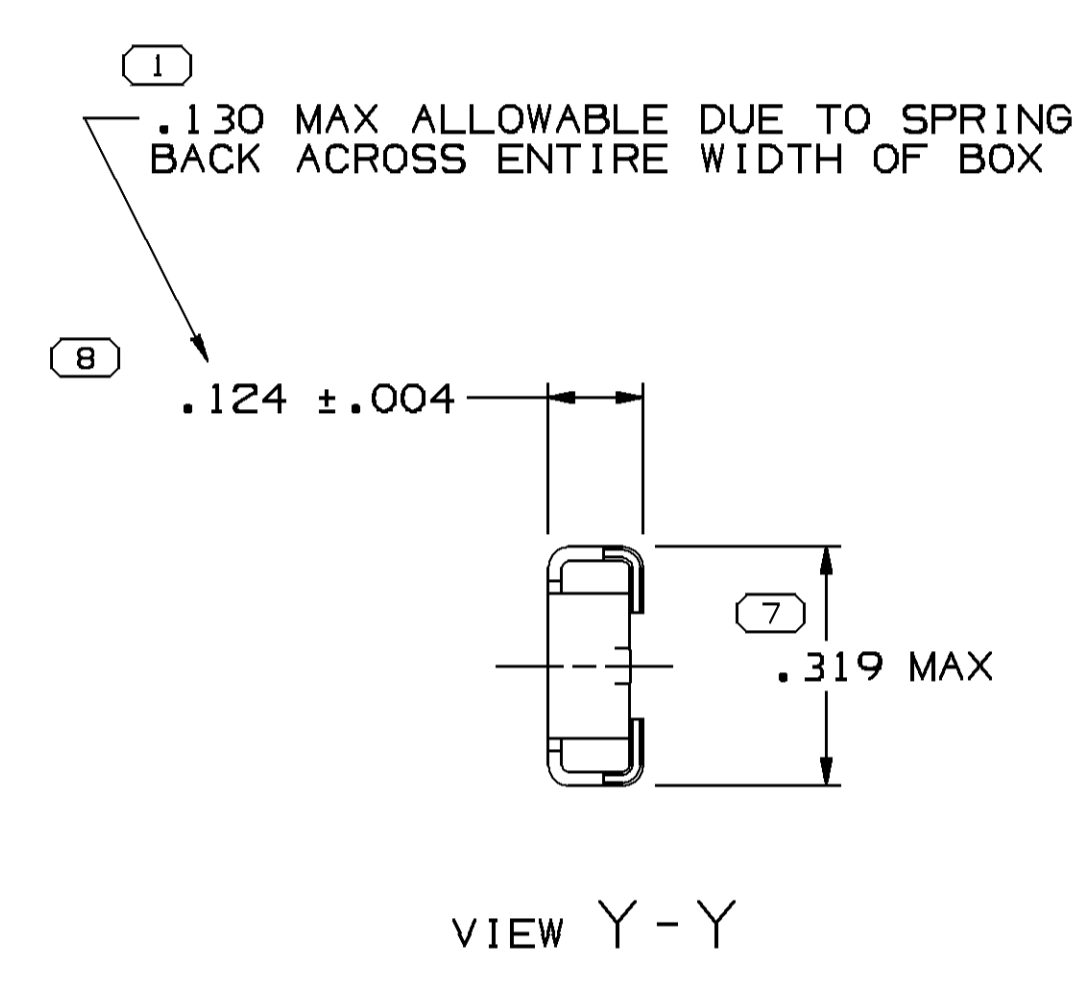
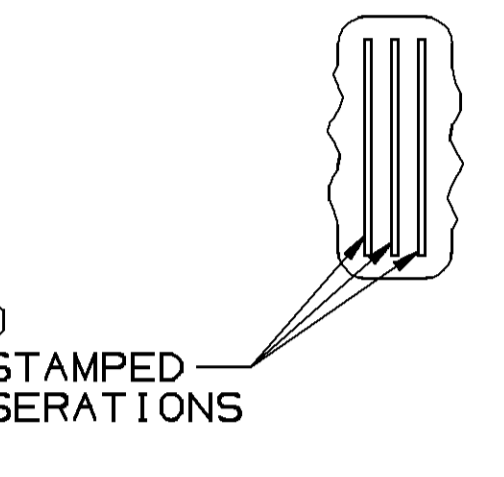
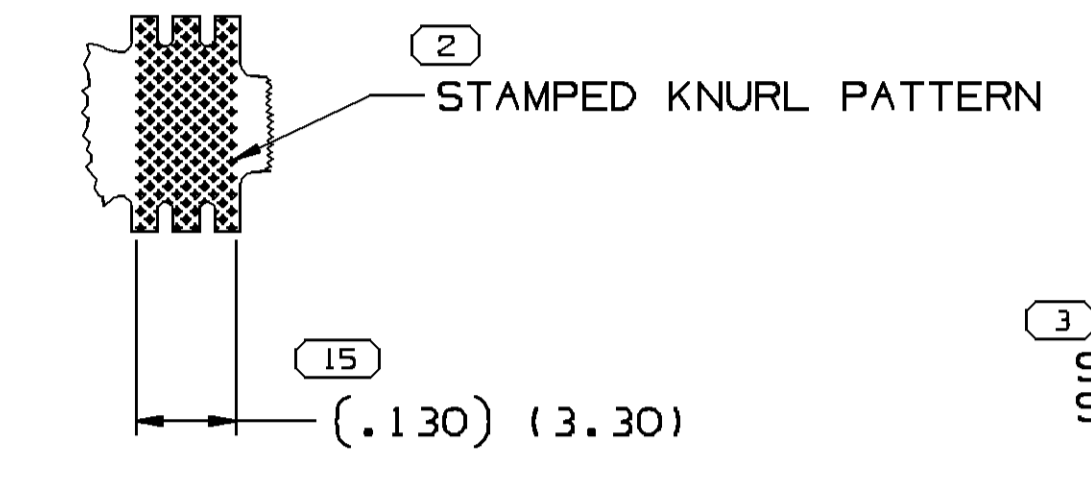


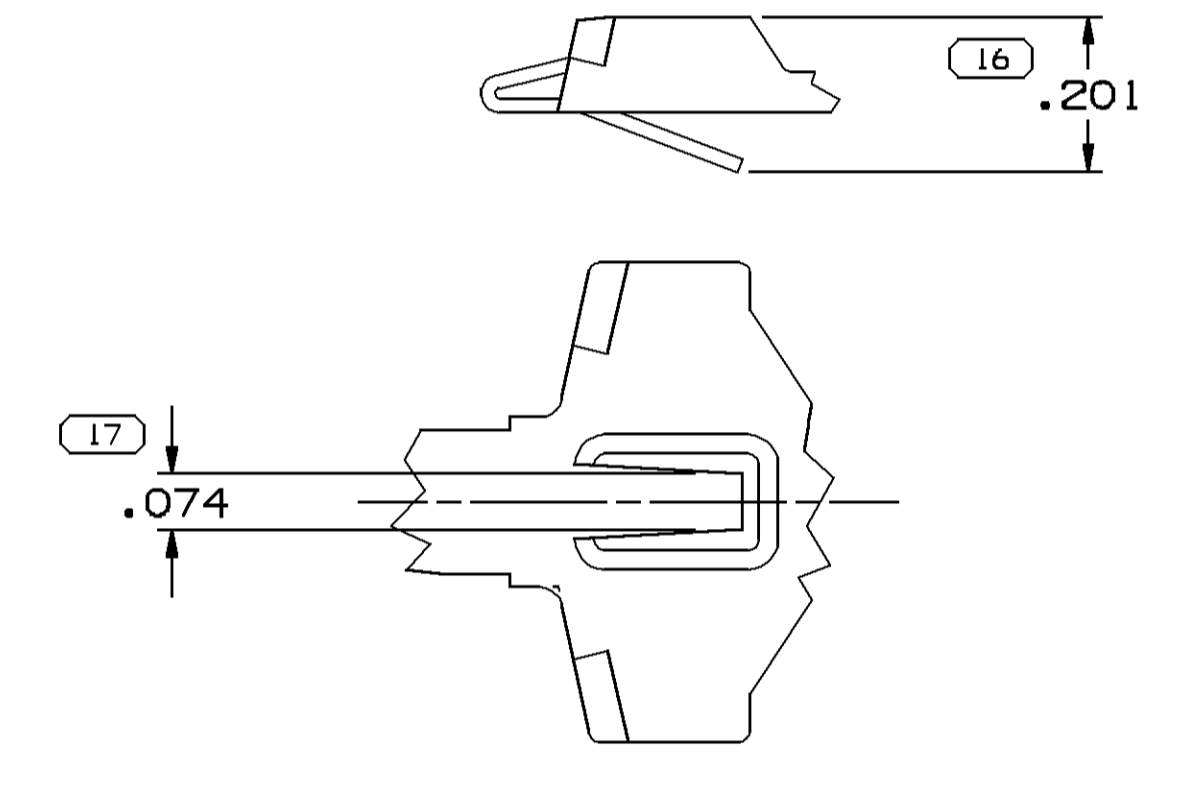
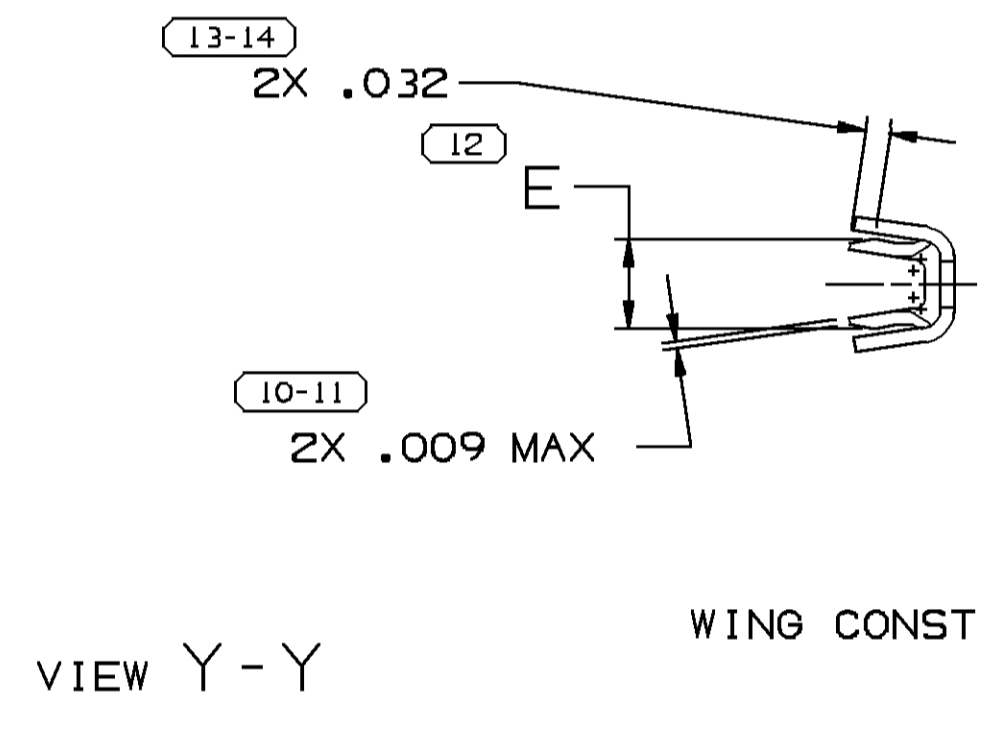
SYMBOL DEFINITION		MISSING NUMBERS		DWG STATUS		ZONE		REVISION HISTORY		AUTH		DR		AP/VD	
THE NUMBER INSIDE THE SYMBOL	TOTAL NO. OF SYMBOLS ON DRAWING			DATE	STO	REV	N/P	CHG							
(1)	16			22DEC99	R	01	-	-	ALL PARTS - UPDATED PDM ATTRIBUTES AND REDRAW TO PD		198110	RB	BMC	JA	
(15)	18			26JUN08	R	02	-	-	12124501-04, 12124507 & 12124508 OBSOLETE AND ADDED "REPLACED BY" COLUMN TO CHART		405119	EPS	FRG	FRP	



TYPE 102
SAME AS TYPE 101
EXCEPT AS SHOWN



TYPE 103
SAME AS TYPE 101
EXCEPT AS SHOWN



- NOTES
- UNLESS OTHERWISE SPECIFIED AND/OR INDICATED:
DIMENSIONS ARE TO FACE OF VIEW SHOWN AND AUTOMATICALLY ROUNDED BY COMPUTER FOR INSPECTION (SEE MATH MODEL FOR PRECISE DIMENSIONS). FOR ALL OTHER DIMENSIONS NOT SHOWN BUT REQUIRED FOR TOOL BUILD, SEE MATH MODEL FOR PRECISE TOOL PATH DATA.
 - THIS TERMINAL FOR MOLD-ON APPLICATIONS ONLY.
 - TO FIT .032 X .250 BLADE.

PART NO	REV/N/P	STATUS	MAT'L SIZE	MAT'L SPEC	PART NO	REV/N/P	STATUS	MAT'L SPEC	NIB	TANG	FOOT	SIZE MM ²	DIA	ID	TYPE	WING CONST	E	REPLACED BY
			.0180 X 1.375		12124988	B	OBSOLETE	M1573222	X	X	X	0.8-0.5	2.4-2.03	19	102	I	.148	
			.0180 X 1.375		12124525	C	OBSOLETE	M1573222	X	X	X	0.8-0.5	2.4-2.03	19	103	I	.148	12186338
12124510	C	OBSOLETE	.0180 X 1.375	M1403222	12124524	C	OBSOLETE	M1573222	X	X	X	0.8-0.5	3.13-2.69	19	103	I	.148	
12124509	B	OBSOLETE	.0180 X 1.375	M1403222	12124523	B4		M1573222	X	X	X	(2) 2 - 1	3.05-2.48	215	101	I	.260	
12124508	B2	OBSOLETE	.0180 X 1.375	M1403222	12124522	B5		M1573222	X	X	X	(2) 2 - 1	3.05-2.48	215	101	I	.260	12124522
12124507	B6	OBSOLETE	.0180 X 1.375	M1403222	12124521	B	OBSOLETE	M1573222	X	X	X	(2) 0.8-0.5	2.4-2.03	219	101	II	.162	
			.0180 X 1.375		12124520	B5		M1573222	X	X	X	(2) 0.8-0.5	2.4-2.03	219	101	II	.162	12124520
12124504	B5	OBSOLETE	.0180 X 1.375	M1403222	12124517	B4		M1573222	X	X	X	2 - 1	3.05-2.48	15	101	I	.164	12124517
12124503	B5	OBSOLETE	.0180 X 1.375	M1403222	12124516	B	OBSOLETE	M1573222	X	X	X	2 - 1	3.05-2.48	15	101	I	.164	
			.0180 X 1.375		12124514	C	OBSOLETE	M1573222	X	X	X	0.8-0.5	2.4-2.03	19	103	I	.148	12124515
12124502	C3	OBSOLETE	.0180 X 1.375	M1403222	12124513	C2		M1573222	X	X	X	0.8-0.5	2.4-2.03	19	103	I	.148	12124513
12124501	C3	OBSOLETE	.0180 X 1.375	M1403222	12124512	C2		M1573222	X	X	X	0.8-0.5	2.4-2.03	19	103	I	.148	12124512

PART DRAWING	
STYLE	
VOLUME (10/1)	DISTR CODE
	D
UNLESS OTHERWISE SPECIFIED	
PERFECT FORM REQUIRED FOR FEATURES OF SIZE AT MMC. THESE FEATURES ARE TOLERANCED AND RELATED DIMENSIONS APPLY AT LMS. (DIMENSIONS OF SIZE INDICATED IN FEATURES CONTAINING THE APPLICABLE TOLERANCE AND RELATED DIMENSIONS MAY BE BAGED SEPARATELY, REGARDLESS OF DATUM REFERENCE.)	
ALL DIMENSIONS ARE IN INCHES	
(15) PROCESS SENSITIVE DIMENSION	
DIMENSIONS ENCLOSED IN () INDICATE REFERENCE DIMENSIONS AND NO TOLERANCE LIMITS ARE ESTABLISHED	
DIMENSIONAL FRAME (L1)	CHART J
FROM TO	>500
TOLERANCE UNLESS OTHERWISE SPECIFIED	±.010
ANGULAR TOLERANCE	±2°
THIRD ANGLE PROJECTION	
DO NOT SCALE	
USE MATH DATA	

DELPHI
DELPHI PACKARD ELECTRICAL/ELECTRONIC ARCHITECTURE
NAPER, OH

DR	DATE
APV01 G.G. IZQUIERDO	03JL98
APV02 O. OCHOA	07JL98
APV03 C. STRAN	15JL98
APV04	
APV05	

SUBSTANCES OF CONCERN AND RECYCLED CONTENT PER DELPHI 10949001

DRAWING NAME
TAXI TERM F 56 SERIES

DRAWING NUMBER
12124500

SIZE AD	SCALE	FRAME NO	SHEET NO	STO	REV	N/P
	4:1	1 OF 1	1 OF 1	R	02	-

Mouser Electronics

Authorized Distributor

Click to View Pricing, Inventory, Delivery & Lifecycle Information:

[Aptiv:](#)

[12124515-L](#) [12124517-L](#) [12124513-L](#) [12124522-L](#) [12124523-L](#)