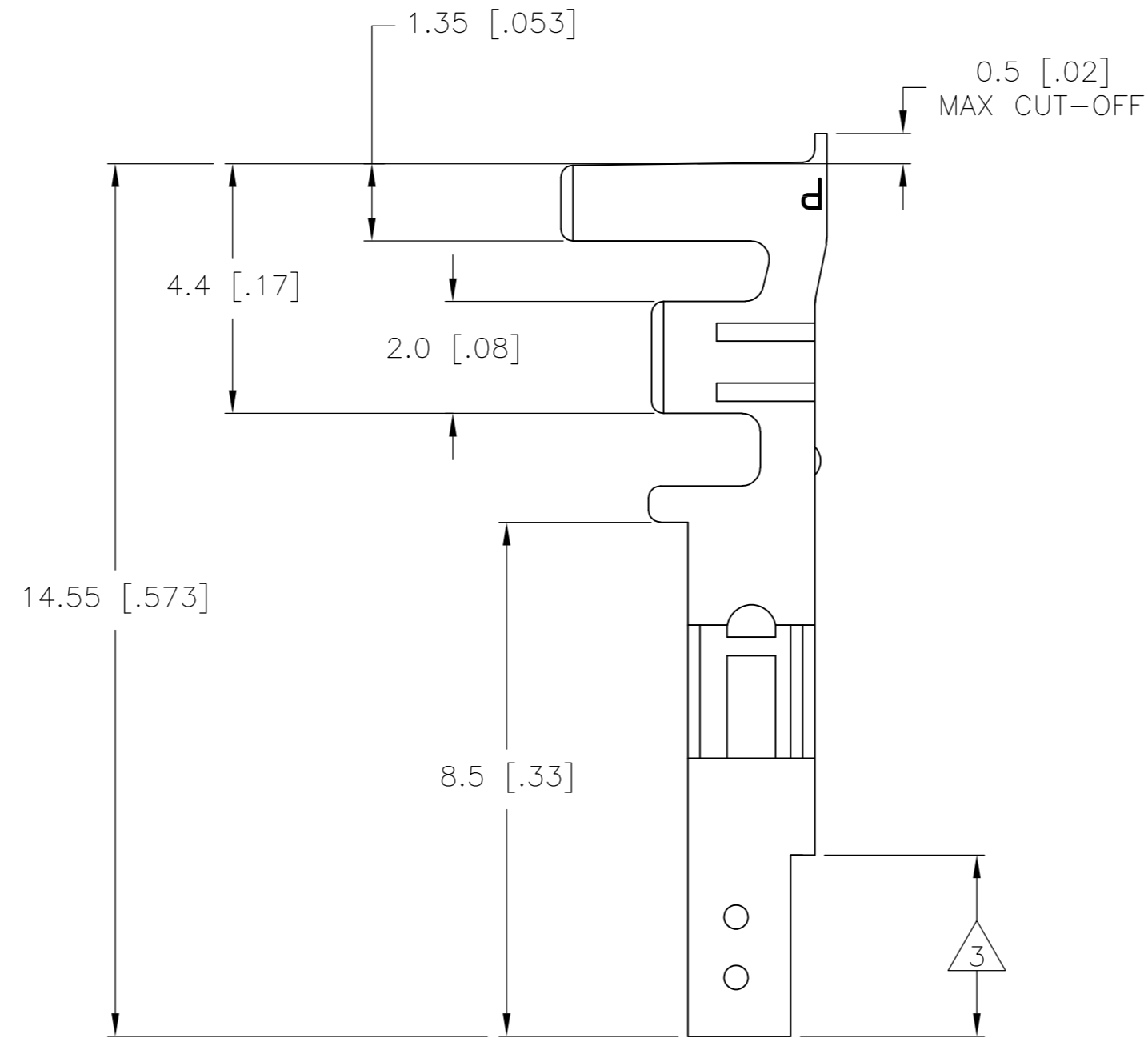
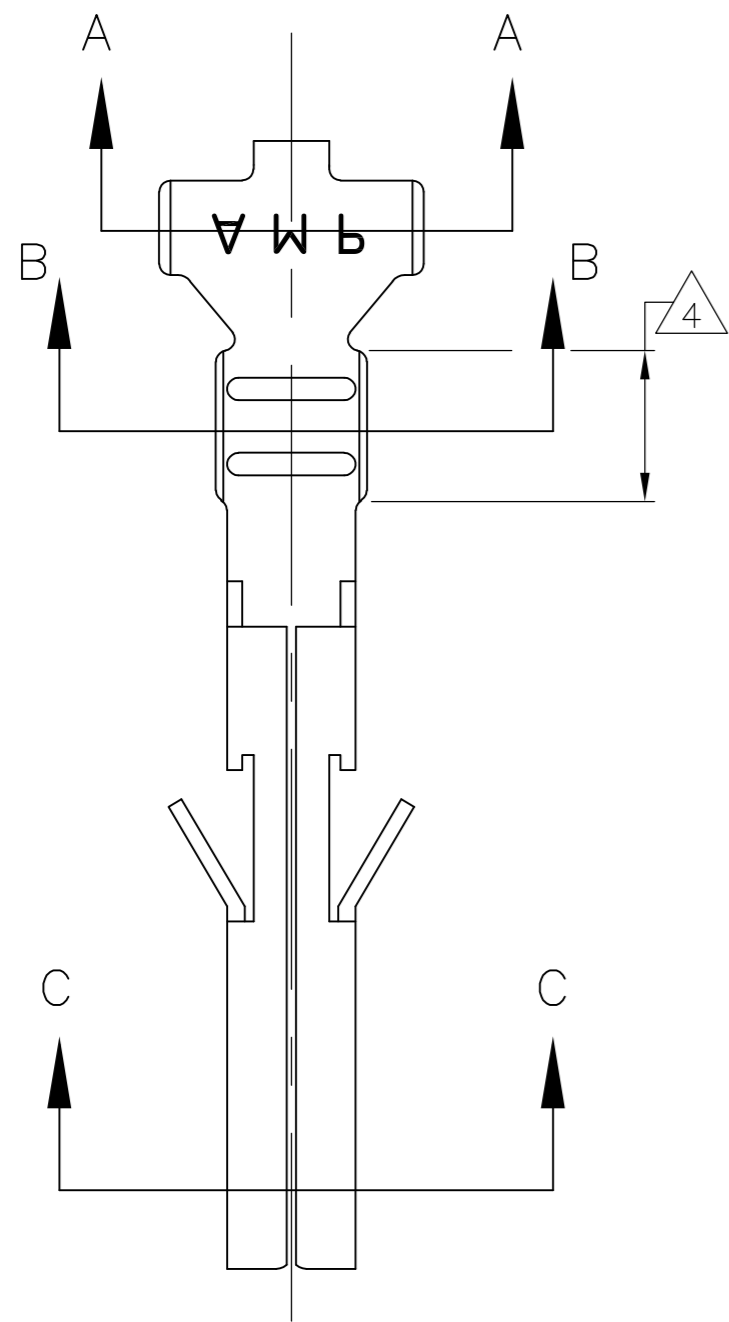
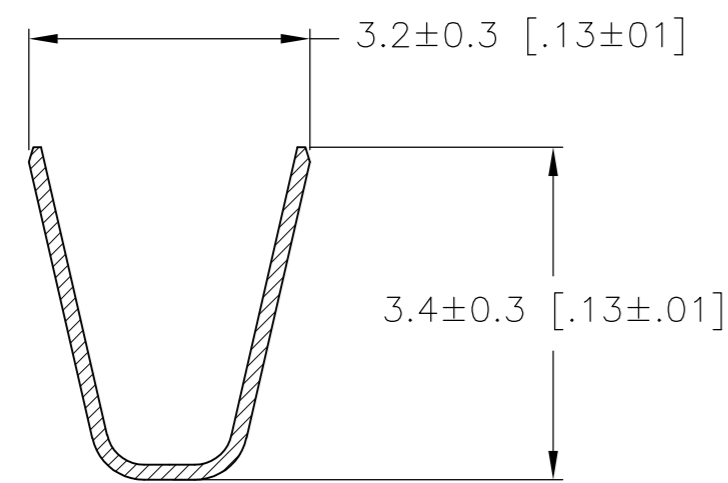


THIS DRAWING IS UNPUBLISHED. RELEASED FOR PUBLICATION  
 © COPYRIGHT - By - ALL RIGHTS RESERVED.

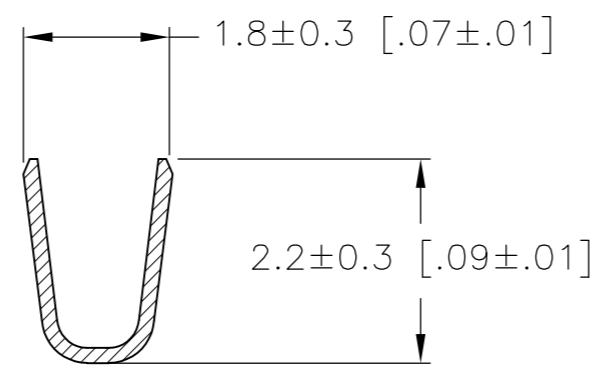
LOC		DIST		REVISIONS			
P	LTR	DESCRIPTION		DATE	DWN	APVD	
CM	00	A1	REVISED PER ECO-11-005027		11MAR11	RK	HMR



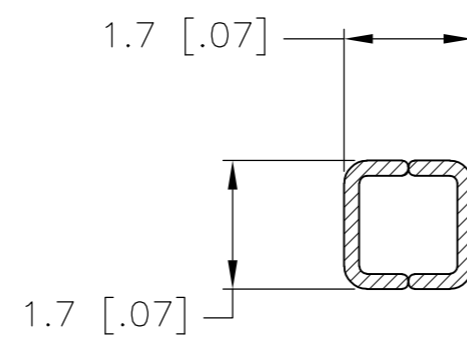
- 1 WIRE RANGE: 0.13-0.32mm<sup>2</sup> (22-26 AWG).
- 2 INSULATION RANGE: 1.20-1.75 DIA.
- 3 FINISH: 0.76µm MIN GOLD OVER 1.27µm MIN NICKEL REQUIRED ON INNER SURFACE, PERMITTED ON OUTER SURFACE.
- 4 FINISH: 2.54µm MIN TIN ON ALL SURFACES IN THIS AREA.



SECTION A-A



SECTION B-B



SECTION C-C

GOLD	3 4	PHOS. BRZ.	1586317-4
PRE-TIN		PHOS. BRZ.	1586317-3
GOLD	3 4	BRASS	1586317-2
PRE-TIN		BRASS	1586317-1
FINISH:		MATERIAL:	PART NO.

DIMENSIONS:		TOLERANCES UNLESS OTHERWISE SPECIFIED:		DWN		14-OCT-2003	
mm	[INCHES]	0 PLC	±	S. HOOVER	14-OCT-2003		
		1 PLC	± 0.3 [.01]	CHK	14-OCT-2003		
		2 PLC	± 0.15 [.004]	D. COLEY	14-OCT-2003		
		3 PLC	± 0.050 [.0020]	APVD	14-OCT-2003		
		4 PLC	±	D. COLEY	14-OCT-2003	NAME	
		ANGLES	±	PRODUCT SPEC		TERMINAL LOOSE PIECE, SOCKET	
		FINISH		APPLICATION SPEC		VAL-U-LOK(TM)	
MATERIAL		WEIGHT		SIZE	CAGE CODE	DRAWING NO	RESTRICTED TO
				A2	00779	C=1586317	-
CUSTOMER DRAWING				SCALE	10:1	SHEET	1 OF 1
				REV	A1		

# Mouser Electronics

Authorized Distributor

Click to View Pricing, Inventory, Delivery & Lifecycle Information:

[TE Connectivity:](#)

[1586317-3](#)