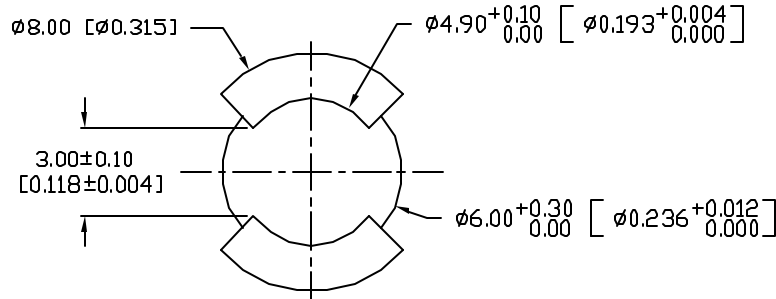
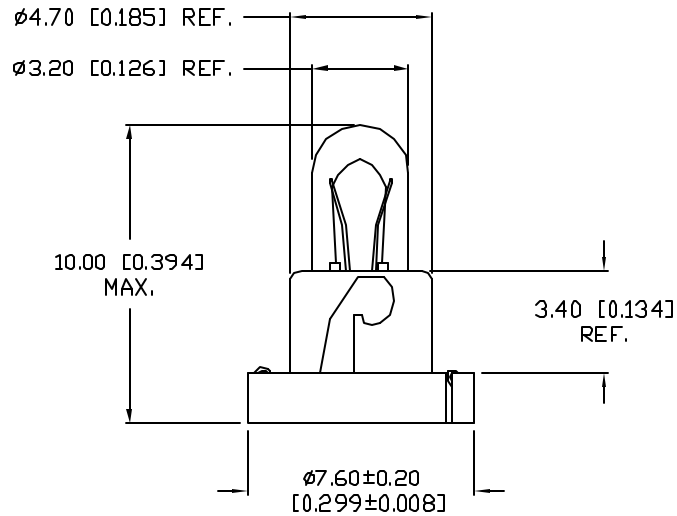


UNCONTROLLED DOCUMENT



RECOMMENDED PANEL CUT-OUT

RECOMMENDED PANEL THICKNESS .059 $\begin{matrix} +0.005 \\ -0.004 \end{matrix}$

*UNLESS OTHERWISE SPECIFIED TOLERANCES PER DECIMAL PRECISION ARE: X=±1 (±0.039), XX=±0.5 (±0.020), XXX=±0.25 (±0.010), XXXX=±0.127 (±0.005), LEAD SIZE=±0.05 (±0.002), LEAD LENGTH=±0.75 (±0.030), MIN.= $\begin{matrix} +0.00 \\ -0.00 \end{matrix}$ DECIMAL PRECISION, MAX.= $\begin{matrix} +0.00 \\ -0.00 \end{matrix}$ DECIMAL PRECISION

PART NUMBER		REV.
IFL-NW314040-01		G
REV.	E.C.N. NUMBER AND REVISION COMMENTS	DATE
A	REVISED DIM. TOL. FOR PANEL CUTOUT.	4.17.90
B	REDRAWN.	3.20.95
C	E.C.N. #10BRDR. & REDRAWN.	10.13.97
D	E.C.N. #10BRDR. & REDRAWN.	8.10.98
E	E.C.N. #10709.	1.25.01
F	E.C.N. #11096.	2.27.04
G	E.C.N. #11148.	01.16.07

ELECTRICAL SPECIFICATIONS	W/OUT BOOT ATTACHED
OPERATING VOLTAGE VAC. OR VDC.	12.0-14.0V
DESIGN VOLTAGE VAC. OR VDC.	14.0V
CURRENT DRAW @ DESIGN VOLTS	40mA
M.S.C.P. @ DESIGN VOLTS	0.165±0.15% M.S.C.P.
AVERAGE LIFE @ DESIGN VOLTS (AC)	16,000 HOURS

MECHANICAL SPECIFICATIONS	
BULB SIZE & SHAPE	T3mm TUBULAR
BULB GLASS TYPE	K 12 SOFT GLASS
BASE OR LEAD FINISH	GRAY NYLON 66, 15% GLASS
FILAMENT SHAPE	C-2F
MANUFACTURING P55	T3nW 3044

ENVIRONMENTAL SPECIFICATIONS	
VIBRATION TESTING	MIL-E-5400N, GRAPH IV
SHOCK TEST	MIL-STD-883 METHOD 2002
	TEST CONDITION A
OPERATION TEMP.	- 50 TO +100 °C
STORAGE TEMP.	- 50 TO +125 °C
SOLDERABILITY OF LEADS	N/A



UNCONTROLLED DOCUMENT

REV.	PART NUMBER
G	IFL-NW314040-01
T3 INCANDESCENT LAMP, WITH TWIST AND LOCK BASE.	

CONFIDENTIAL INFORMATION
THE INFORMATION CONTAINED IN THIS DOCUMENT IS THE PROPERTY OF LUMEX INC. EXCEPT AS SPECIFICALLY AUTHORIZED IN WRITING BY LUMEX INC., THE HOLDER OF THIS DOCUMENT SHALL KEEP ALL INFORMATION CONTAINED HEREIN CONFIDENTIAL AND SHALL PROTECT SAME IN WHOLE OR IN PART FROM DISCLOSURE AND DISSEMINATION TO ALL THIRD PARTIES.

RELIABILITY NOTE
OUR MANY YEARS OF EXPERIENCE DATA ACCUMULATION INDICATE THAT SOLDER HEAT IS A MAJOR CAUSE OF EARLY AND FUTURE FAILURE. PLEASE PAY ATTENTION TO YOUR SOLDERING PROCESS.

		290 E. HELEN ROAD PALATINE, IL 60067-6976 PHONE: +1.847.359.2790 US WEB: www.lumex.com TW WEB: www.lumex.com.tw
DRAWN BY:	CHECKED BY:	APPROVED BY:
jc		
DATE: 11.21.89		PAGE: 1 OF 1
SCALE: N/A		

Mouser Electronics

Authorized Distributor

Click to View Pricing, Inventory, Delivery & Lifecycle Information:

[Lumex:](#)

[IFL-NW314040-01](#)