

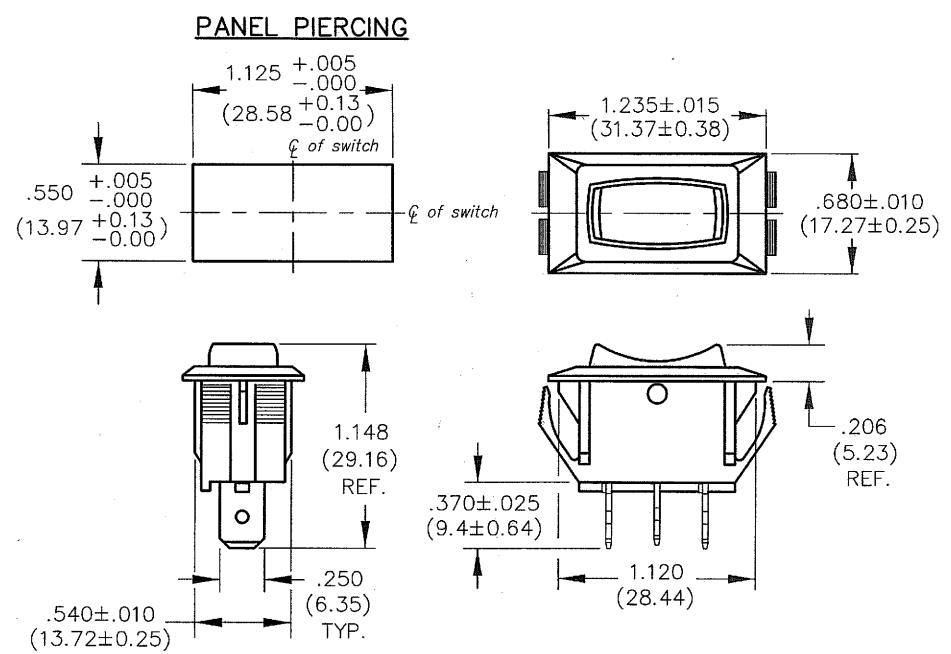
E
 D
 C
 B
 A

THIS INFORMATION IS CONFIDENTIAL AND PROPRIETARY TO CW INDUSTRIES INCORPORATED AND ITS AFFILIATES. IT MAY NOT BE DISCLOSED TO ANYONE OTHER THAN CW INDUSTRIES PERSONNEL, WITHOUT WRITTEN AUTHORIZATION FROM CW INDUSTRIES INCORPORATED, SOUTHAMPTON, PENNSYLVANIA USA.

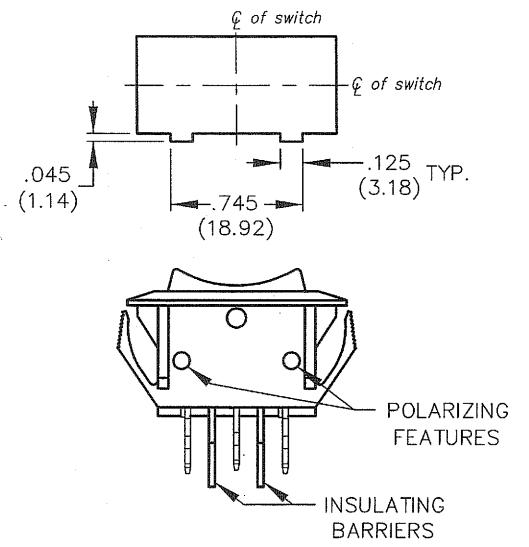
DIMENSIONS IN INCHES (MILLIMETERS)
 DO NOT SCALE DRAWING
 Dwg. No. **GRS-2013A-2XXX**

PANEL THICKNESS
 .025" to .180"
 (0.64mm to 4.57mm)

OPTIONS:



POLARIZED PANEL PIERCING



TERMINAL OPTIONS:

.250" Wide Terminal is standard as Shown in drawing.
 .187" Wide Terminal is optional.

| | | | | | | | | | | | | | | | | | | | | | | | | | | | | | | | | | | | | | | | | | | | | | |
|---|-------------------------------|------------------------|---|---|---|---|---|---|----|----------------------|--|------------------------|--|---------------------------------------|--|--|--|-----------------------|--------|--|--|-----------------------|---------------------|--|--|------------------|---------------------|--|--|-----------|---------|--|--|-----------|---------------|--|--|-------------|-----------------|--|--|-----------|-------------------------------|--|--|
| 1 | 2 | 3 | 4 | 5 | 6 | 7 | 8 | 9 | 10 | | | | | | | | | | | | | | | | | | | | | | | | | | | | | | | | | | | | |
| <div style="display: flex; justify-content: space-between;"> <div style="width: 20%;"> <p style="writing-mode: vertical-rl; transform: rotate(180deg);">B-FORMAT 2002</p> <p style="writing-mode: vertical-rl; transform: rotate(180deg);">REVISIONS</p> <p style="writing-mode: vertical-rl; transform: rotate(180deg);">RELEASED: DGW 06/23/2010</p> </div> <div style="width: 75%; border: 1px solid black; padding: 5px;"> <table border="1" style="width: 100%; border-collapse: collapse;"> <tr> <td colspan="2" style="text-align: center;">CW INDUSTRIES</td> <td colspan="2" style="text-align: center;">Southampton, Pa. 18966</td> </tr> <tr> <td colspan="4" style="text-align: center; font-size: small;">TOLERANCES UNLESS OTHERWISE SPECIFIED</td> </tr> <tr> <td style="font-size: x-small;">2 Place Decimal ±.010</td> <td colspan="3" style="font-size: x-small;">METRIC</td> </tr> <tr> <td style="font-size: x-small;">3 Place Decimal ±.005</td> <td style="font-size: x-small;">1 Place Dec. ±.25mm</td> <td colspan="2"></td> </tr> <tr> <td style="font-size: x-small;">Angles ±1°</td> <td style="font-size: x-small;">2 Place Dec. ±.13mm</td> <td colspan="2"></td> </tr> <tr> <td style="font-size: x-small;">Made for:</td> <td colspan="3">CW IND.</td> </tr> <tr> <td style="font-size: x-small;">Drawn by:</td> <td colspan="3">DGW 7-27-2010</td> </tr> <tr> <td style="font-size: x-small;">Checked by:</td> <td colspan="3">G. Guld 8-16-10</td> </tr> <tr> <td style="font-size: x-small;">Approval:</td> <td colspan="3"><i>Edward P. Paul</i> 8-18-10</td> </tr> </table> </div> <div style="width: 25%; border: 1px solid black; padding: 5px;"> <p style="font-size: small;">Title: CENTER OFF ROCKER SWITCH ASSEMBLY S.P.D.T. WITH OPTIONS 1.125 x .550 PANEL</p> <p style="font-size: small;">Division: SWITCH</p> <p style="font-size: small;">Dwg. No. GRS-2013A-2XXX</p> </div> </div> | | | | | | | | | | CW INDUSTRIES | | Southampton, Pa. 18966 | | TOLERANCES UNLESS OTHERWISE SPECIFIED | | | | 2 Place Decimal ±.010 | METRIC | | | 3 Place Decimal ±.005 | 1 Place Dec. ±.25mm | | | Angles ±1° | 2 Place Dec. ±.13mm | | | Made for: | CW IND. | | | Drawn by: | DGW 7-27-2010 | | | Checked by: | G. Guld 8-16-10 | | | Approval: | <i>Edward P. Paul</i> 8-18-10 | | |
| CW INDUSTRIES | | Southampton, Pa. 18966 | | | | | | | | | | | | | | | | | | | | | | | | | | | | | | | | | | | | | | | | | | | |
| TOLERANCES UNLESS OTHERWISE SPECIFIED | | | | | | | | | | | | | | | | | | | | | | | | | | | | | | | | | | | | | | | | | | | | | |
| 2 Place Decimal ±.010 | METRIC | | | | | | | | | | | | | | | | | | | | | | | | | | | | | | | | | | | | | | | | | | | | |
| 3 Place Decimal ±.005 | 1 Place Dec. ±.25mm | | | | | | | | | | | | | | | | | | | | | | | | | | | | | | | | | | | | | | | | | | | | |
| Angles ±1° | 2 Place Dec. ±.13mm | | | | | | | | | | | | | | | | | | | | | | | | | | | | | | | | | | | | | | | | | | | | |
| Made for: | CW IND. | | | | | | | | | | | | | | | | | | | | | | | | | | | | | | | | | | | | | | | | | | | | |
| Drawn by: | DGW 7-27-2010 | | | | | | | | | | | | | | | | | | | | | | | | | | | | | | | | | | | | | | | | | | | | |
| Checked by: | G. Guld 8-16-10 | | | | | | | | | | | | | | | | | | | | | | | | | | | | | | | | | | | | | | | | | | | | |
| Approval: | <i>Edward P. Paul</i> 8-18-10 | | | | | | | | | | | | | | | | | | | | | | | | | | | | | | | | | | | | | | | | | | | | |

MASTER

Mouser Electronics

Authorized Distributor

Click to View Pricing, Inventory, Delivery & Lifecycle Information:

CW Industries:

[GRS-2013A-2001](#) [GRS-2013A-2003](#) [GRS-2013A-2005](#) [GRS-2013A-2024](#) [GRS-2013A-2002](#) [GRS-2013A-2000](#)
[GRS-4022-0009](#) [GRS-2011-4009](#) [GRS-2011-2014](#) [GRSN-2011-3002](#) [GRS-2011-3022](#) [GRS-2013A-2011](#) [GRS-4011-0152](#) [GRS-2012-2025](#) [GRS-2012-2032](#) [GRS-2012-1600](#) [GRS-2013A-0000](#) [GRSH-2013A-2002](#) [GRS-4013A-0007](#) [GRSP-2011-2003](#) [GRS-2011-3023](#) [GRS-2011-2076](#) [GRS-2012-2033](#) [GRS-2011-2018](#) [GRS-4013C-0010](#)
[GRS-4023B-0004](#) [GRS-2013A-1600](#) [GRS-2011-0000](#) [GRS-2012-2038](#) [GRSH-2012-2006](#) [GRS-4012-0045](#) [GRSH-2013A-2003](#) [GRS-4013C-0005](#) [GRS-2011-2110](#) [GRS-2012-2043](#) [GRS-2011-2078](#) [GRS-2011-2024](#) [GRS-4012A-0003](#) [GRS-2011-2099](#) [GRS-2012-2034](#) [GRS-4011-0150](#) [GRS-4012-0009](#) [GRS-4021-0023](#) [GRS-2012-2051](#) [GRS-4013C-0008](#) [GRSH-2011-2018](#) [GRS-2011-2012](#) [GRS-4011-0154](#) [GRS-2012-2502](#) [GRS-4011-0155](#) [GRSH-2011-2013](#) [GRSN-2011-3004](#) [GRS-2011-2069](#) [GRS-2012-0000](#) [GRSH-2011B-2001](#) [GRSH-2013A-2001](#) [GRSH-2011B-2002](#) [GRS-2012-2039](#) [GRS-2011-2090](#) [GRSN-2011-3001](#) [GRS-2011-2128](#) [GRSH-2012-2004](#) [GRS-2011-2075](#) [GRS-4012-0029](#) [GRS-4021-0014](#) [GRSN-2011-3005](#) [GRS-4011-0151](#) [GRS-2012-0017](#) [GRS-2013A-2020](#) [GRS-2011-2013](#) [GRSH-2012-2005](#) [GRSN-2011-3007](#) [GRS-4012-0010](#) [GRS-4011-0153](#) [GRSN-2011-2001](#) [GRS-2011-2086](#) [GRS-4012-0053](#) [GRSH-2011-2009](#)