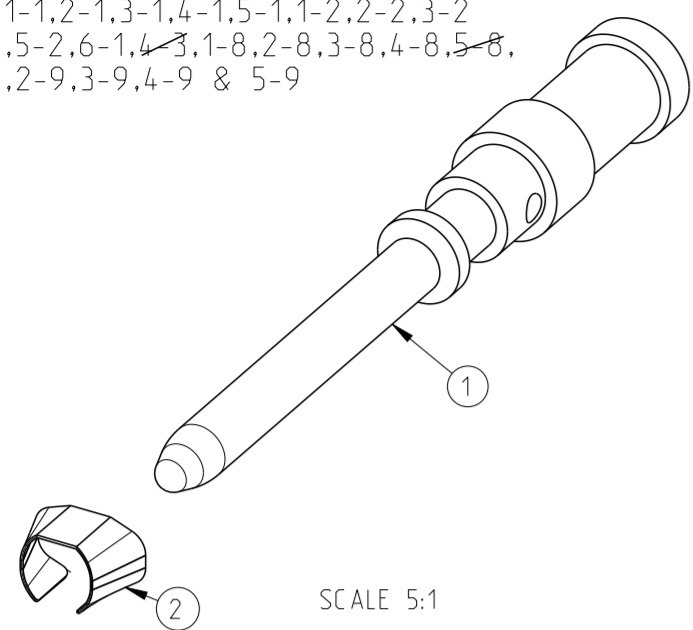


THIS DRAWING IS UNPUBLISHED. RELEASED FOR PUBLICATION 1997  
 © COPYRIGHT 1997 ALL RIGHTS RESERVED.

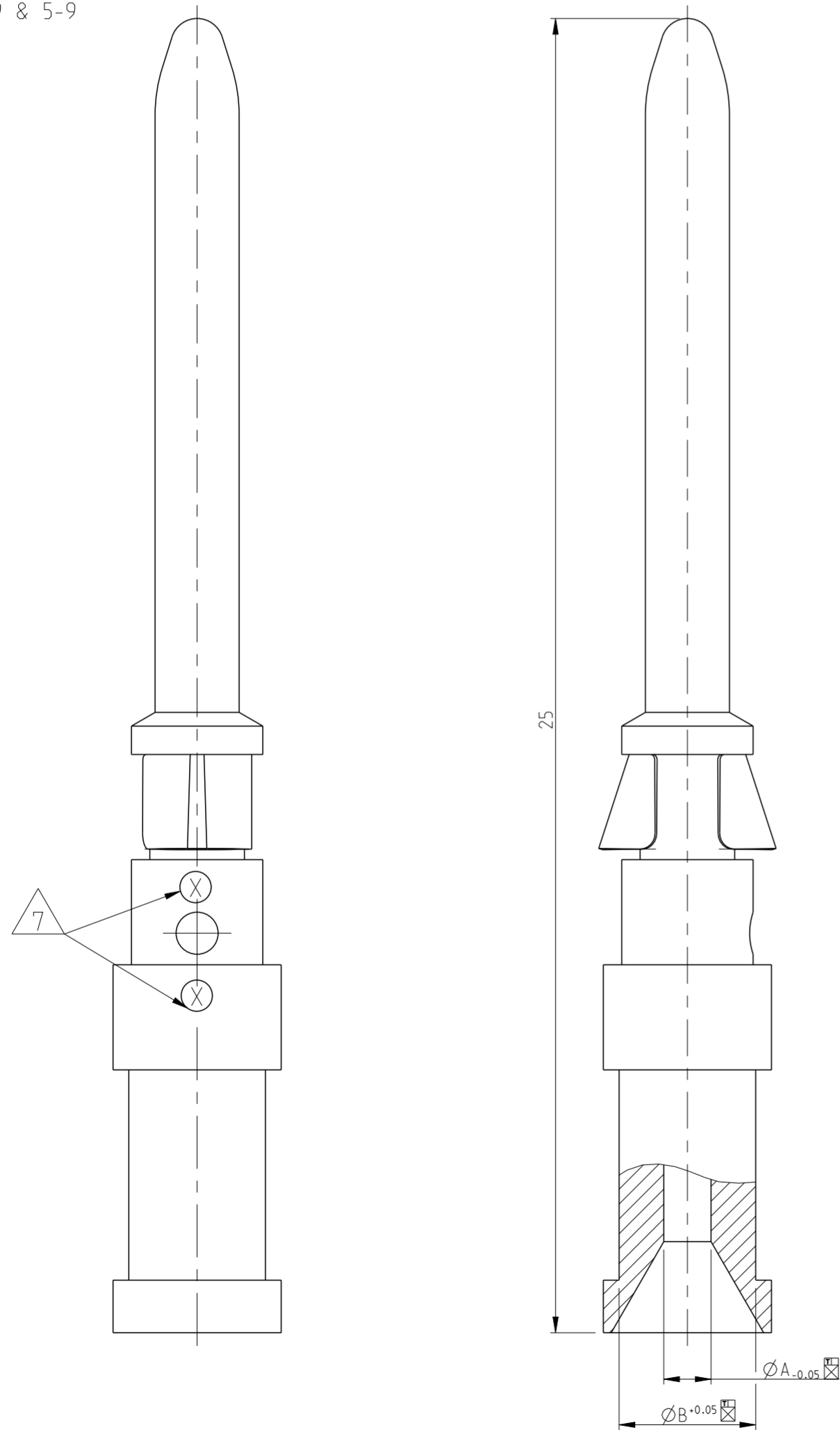
LOC	DIST	REVISIONS					
		P	LTR	DESCRIPTION	DATE	DWN	APVD
A1	-	B13		Released As per ECR-09-005436	9-Mar-2009	CJ	TS
		B14		ECR-11-002636	05APR2011	SR	AR
		B15		REVISED PER ECR-16-016780	19AUG2017	NG	MKO

PN 1-1.2-1.3-1.4-1.5-1.1-2.2-2.3-2  
 4-2.5-2.6-1.4-3.1-8.2-8.3-8.4-8.5-8,  
 4-9.2-9.3-9.4-9 & 5-9

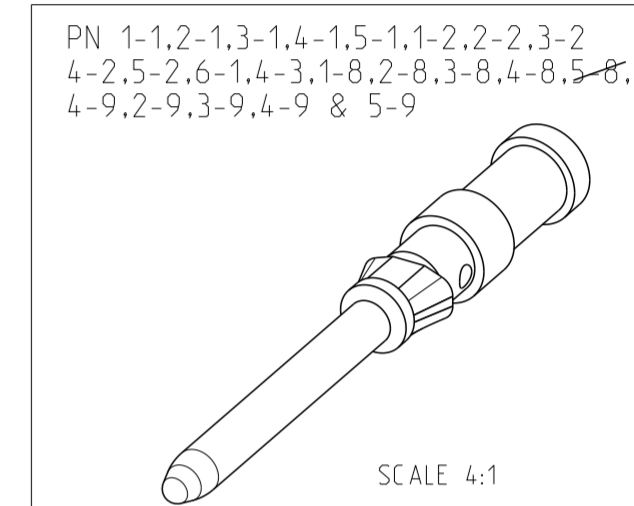


SCALE 5:1

PN 1-1.2-1.3-1.4-1.5-1.1-2.2-2.3-2  
 4-2.5-2.6-1.4-3.1-8.2-8.3-8.4-8.5-8,  
 4-9.2-9.3-9.4-9 & 5-9



- NOTES
- 1 MATERIAL SEE TABLE
  - 2 SURFACE SEE TABLE
  - 3 ASSEMBLY WEIGHT SEE TABLE
  - 4 PACKAGING: 50 PIECES IN POLY-BAG 0-1243085-8
  - 5 PACKAGING: 500 PIECES IN POLY-BAG 0-1243085-8
  - 6 PACKAGING: 10 PIECES IN POLY-BAG 0-1243085-8
  - 7 CROSS-SECTION MARKING



SCALE 4:1

QTY	DESCRIPTION	WEIGHT IN (KG)	MATERIAL	SURFACE	ØA	ØB	CROSS SECTION MARKING	POS
1	Catch Spring		Stainless Steel					2
1	Pin Contact 1.5 mm <sup>2</sup>	0.00062	Ms/Brass	Ag/Ni	1.8	3.0		4
1	Pin Contact 4.0 mm <sup>2</sup>	0.00059	Ms/Brass	Ag/Ni	2.4	3.2		6
1	Pin Contact 2.5 mm <sup>2</sup>	0.00067	Ms/Brass	Au	2.2	3.2		5
1	Pin Contact 1.5 mm <sup>2</sup>	0.00067	Ms/Brass	Au	1.8	3.0		4
1	Pin Contact 0.75-10 mm <sup>2</sup>	0.00063	Ms/Brass	Au	1.45	2.6		3
1	Pin Contact 0.5 mm <sup>2</sup>	0.00062	Ms/Brass	Au	1.1	2.6		2
1	Pin Contact 0.14-0.37 mm <sup>2</sup>	0.00061	Ms/Brass	Au	0.9	2.6		1
1	Pin Contact 2.5 mm <sup>2</sup>	0.00065	Ms/Brass	Ag/Cu	2.2	3.2		5
1	Pin Contact 1.5 mm <sup>2</sup>	0.00067	Ms/Brass	Ag/Cu	1.8	3.0		4
1	Pin Contact 0.75-10 mm <sup>2</sup>	0.00063	Ms/Brass	Ag/Cu	1.45	2.6		3
1	Pin Contact 0.5 mm <sup>2</sup>	0.00062	Ms/Brass	Ag/Cu	1.1	2.6		2
1	Pin Contact 0.14-0.37 mm <sup>2</sup>	0.00061	Ms/Brass		0.9	2.6		1
1	Pin Contact 0.14-0.37 mm <sup>2</sup>	0.00065	Fe	Au	0.9	2.6		1
1	Pin Contact 0.14-0.37 mm <sup>2</sup>	0.00067	Ms/Brass	Ag/Cu	0.9	2.6		1

THIS DRAWING IS A CONTROLLED DOCUMENT.

DWN	Braun	23.07.1997
CHK	Schnurpfeil	23.07.1997
APVD	-	-
PRODUCT SPEC	108-74018	
APPLICATION SPEC	114-74015	
WEIGHT	-	



PIN CONTACT SERIES HN.D

SIZE	A2	CAGE CODE	00779	DRAWING NO	C-1105050	RESTRICTED TO	-
SCALE	10:1	SHEET	1	OF	1	REV	B15

DIMENSIONS:	mm	TOLERANCES UNLESS OTHERWISE SPECIFIED:
		ISO 9001:2008
		0 PLC
		1 PLC
		2 PLC
		3 PLC
		4 PLC
		ANGLES
		FINISH