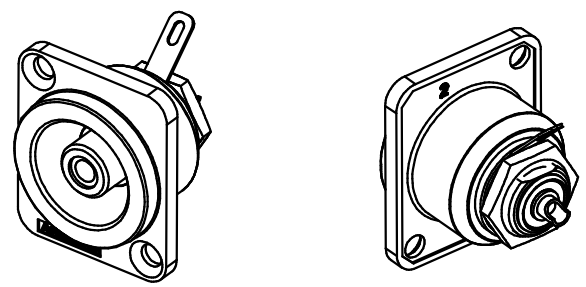
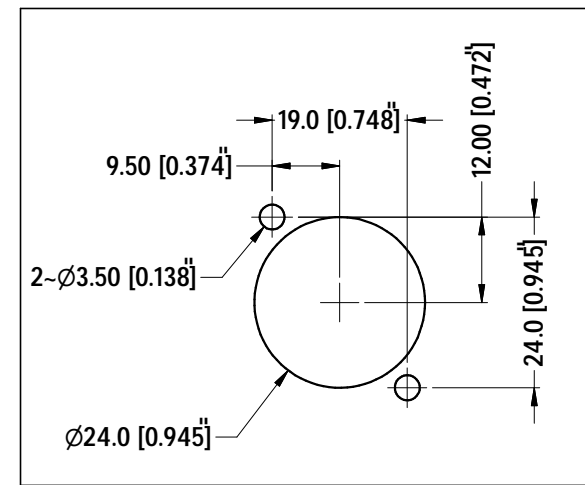




| Part Number according to Shell Finish and Colour Insulator |              |              |                  |
|--|--------------|--------------|------------------|
| CAT P/No.  | REF P/No.    | SHELL FINISH | INSULATOR COLOUR |
| ACJD-BLK   | 55010329-000 | NICKEL       | BLACK            |
| ACJD-RED   | 55010329-001 | NICKEL       | RED              |
| ACJD-ORG   | 55010329-002 | NICKEL       | ORANGE           |
| ACJD-YEL   | 55010329-003 | NICKEL       | YELLOW           |
| ACJD-GRN   | 55010329-004 | NICKEL       | GREEN            |
| ACJD-BLU   | 55010329-005 | NICKEL       | BLUE             |
| ACJD-VIO   | 55010329-006 | NICKEL       | VIOLET           |
| ACJD-GRY   | 55010329-007 | NICKEL       | GREY             |
| ACJD-WHT   | 55010329-008 | NICKEL       | WHITE            |
| ACJB-BLK   | 55010329-009 | MATT BLACK   | BLACK            |
| ACJB-RED   | 55010329-010 | MATT BLACK   | RED              |
| ACJB-ORG   | 55010329-011 | MATT BLACK   | ORANGE           |
| ACJB-YEL   | 55010329-012 | MATT BLACK   | YELLOW           |
| ACJB-GRN   | 55010329-013 | MATT BLACK   | GREEN            |
| ACJB-BLU   | 55010329-014 | MATT BLACK   | BLUE             |
| ACJB-VIO   | 55010329-015 | MATT BLACK   | VIOLET           |
| ACJB-GRY   | 55010329-016 | MATT BLACK   | GREY             |
| ACJB-WHT   | 55010329-017 | MATT BLACK   | WHITE            |



ISO VIEW

|   |              |  |  |                            |                |                         |  |    |          |        |
|---|--------------|--|--|----------------------------|----------------|-------------------------|--|----|----------|--------|
| UNLESS OTHERWISE SPECIFIED TOLERANCE TO BE  |              | THIS DOCUMENT IS THE PROPERTY OF AMPHENOL AUSTRALIA PTY. LTD.. NO PART THEREOF MAY BE REPRODUCED AND USED WITHOUT THE PRIOR WRITTEN CONSENT OF THE OWNER |  |                            |                | 1                       | UPDATE TO MODIFIED COMPONENTS<br>ADD SHEET 2 OF 2 FOR CUSTOMER DRAWING | LV | 23-11-05 | 8462   |
| LINEAR                                      |              | ANGULAR  |  | CAD FILE: 55010329000221   | DRN: LV        | DATE: 02-07-05          | 0  |    |          |        |
| X ± 0.5                                     | X' ± 1       | X'X' ± 30'   |  | MATL: REFER TO COMPONENT   | CKD: M.N.H     | DATE: 04-05-06          | FIRST ISSUE  |    |          |        |
| X.XX ± 0.05                                 | X'X'X' ± 15' | BREAK ALL SHARP EDGES AND REMOVE ALL BURRS   |  | FINISH: REFER TO COMPONENT | APP'D: P.M     | DATE: 04-05-06          | REV. CHANGE DETAILS  |    |          |        |
| DO NOT SCALE                                |              | DIMENSIONS IN MILLIMETRES  |  | THIRD ANGLE PROJECTION     | SCALE: 1:1 UOS | PART No: REFER TO TABLE | SIZE: A4   | BY | DATE     | CHG/No |
| TITLE: RCA & D-SHELL CONNECTOR CUSTOMER DWG |              |  |  |                            |                |                         | Amphenol   |    |          |        |
| DRAWING NO. 55010329-000-2                  |              |  |  |                            |                |                         | SHEET 2 OF 2   |    |          |        |

# Mouser Electronics

Authorized Distributor

Click to View Pricing, Inventory, Delivery & Lifecycle Information:

## Amphenol:

[ACJD-BLK](#) [ACJD-RED](#) [ACJD-WHT](#) [ACJD-YEL](#) [ACJD-BLU](#) [ACJD-GRN](#) [ACJB-BLK](#) [ACJB-BLU](#) [ACJB-GRN](#)  
[ACJB-RED](#) [ACJB-WHT](#) [ACJB-YEL](#)