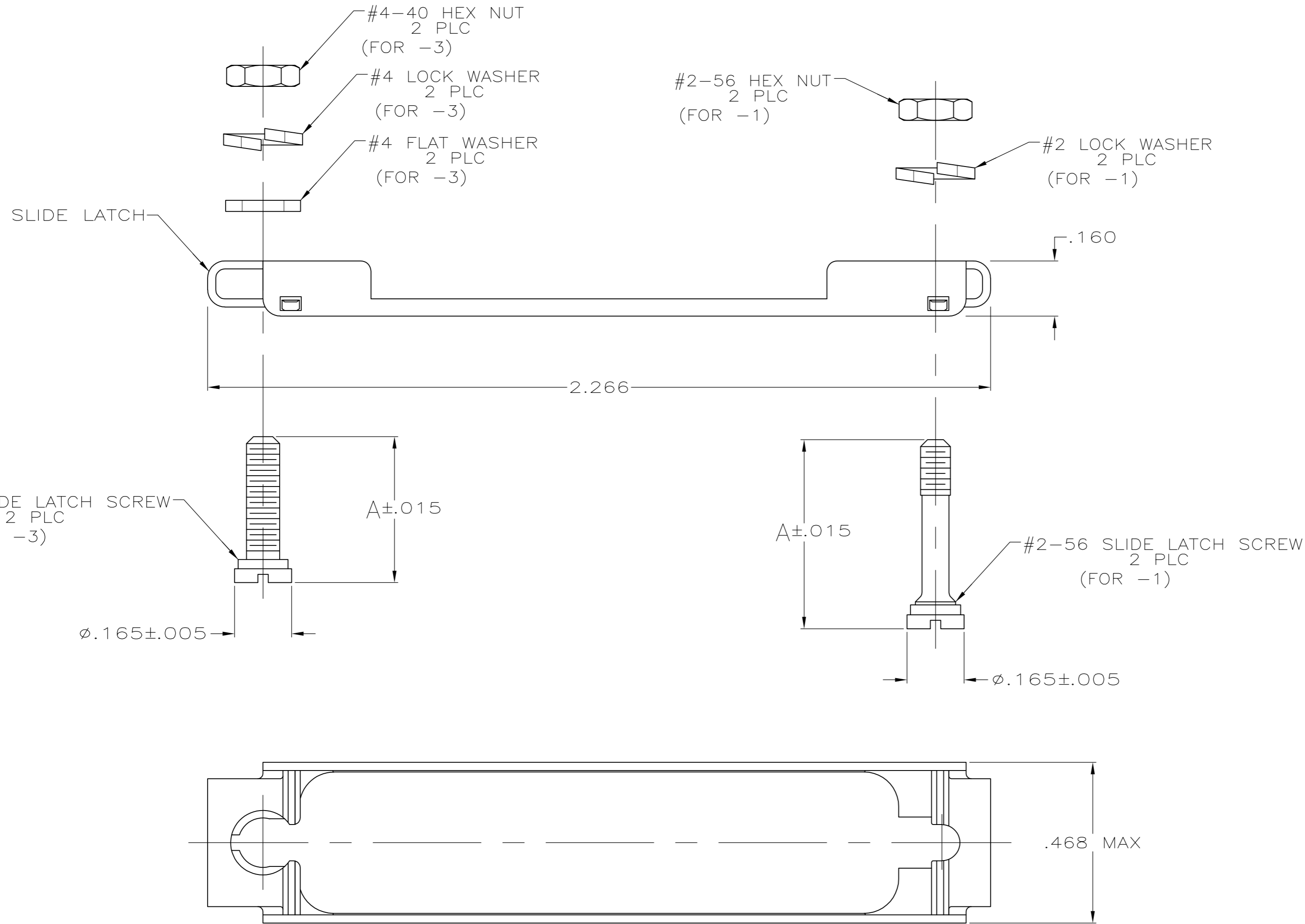


THIS DRAWING IS UNPUBLISHED. RELEASED FOR PUBLICATION
 © COPYRIGHT - By - ALL RIGHTS RESERVED.

LOC	DIST	REVISIONS			
P	LTR	DESCRIPTION	DATE	DWN	APVD
BD	0				
P		REVISED PER ECO-11-004835	11MAR11	RK	HMR



- PARTS PACKAGED UNASSEMBLED.
- PARTS PACKAGED AS A UNIT KIT.
- ZINC PLATED .000200-.000400 THICK, CLEAR CHROMATE COATING.
- ZINC PLATED .000200-.000400 THICK, YELLOW CHROMATE COATING.
- THIS KIT CAN BE USED WITH TWO-PIECE STRAIGHT/90° EXIT CABLE CLAMPS, RFI/EMI CABLE CLAMPS OR UNIVERSAL CABLE CLAMPS.
- THIS KIT CAN BE USED WITH STRAIGHT/45° EXIT ONE-PIECE CABLE CLAMPS, STRAIGHT/90° EXIT ONE-PIECE CABLE CLAMPS, OR ON CONNECTORS WITHOUT CABLE CLAMPS.

.415	4	#4-40	6	5745584-3
.547	3	#2-56	5	5745584-1
A	HARDWARE FINISH	THREAD TYPE	PART NO	

DIMENSIONS:		TOLERANCES UNLESS OTHERWISE SPECIFIED:		MATERIAL		FINISH		HARDWARE:	
INCHES									
		0 PLC	± -	SLIDE LATCH: STAINLESS STEEL				SEE TABLE	
		1 PLC	± -	HARDWARE: STEEL					
		2 PLC	± -						
		3 PLC	± .010						
		4 PLC	± -						
		ANGLES	± -						

THIS DRAWING IS A CONTROLLED DOCUMENT.		DWN	S.WAITMAN	30JUN05
		CHK	J.GERACE	30JUN05
		APVD	M.WALMSLEY	30JUN05
		PRODUCT SPEC		
		APPLICATION SPEC		
		WEIGHT	-	
		CUSTOMER DRAWING		

NAME		TE Connectivity	
KIT, SLIDE LATCH, SIZE 3, 25 POSITION, AMPLIMITE			
SIZE	CAGE CODE	DRAWING NO	RESTRICTED TO
A2	00779	C=5745584	-
SCALE	4:1	SHEET	1 of 1
REV	P		

Mouser Electronics

Authorized Distributor

Click to View Pricing, Inventory, Delivery & Lifecycle Information:

[TE Connectivity:](#)

[5745584-3](#)