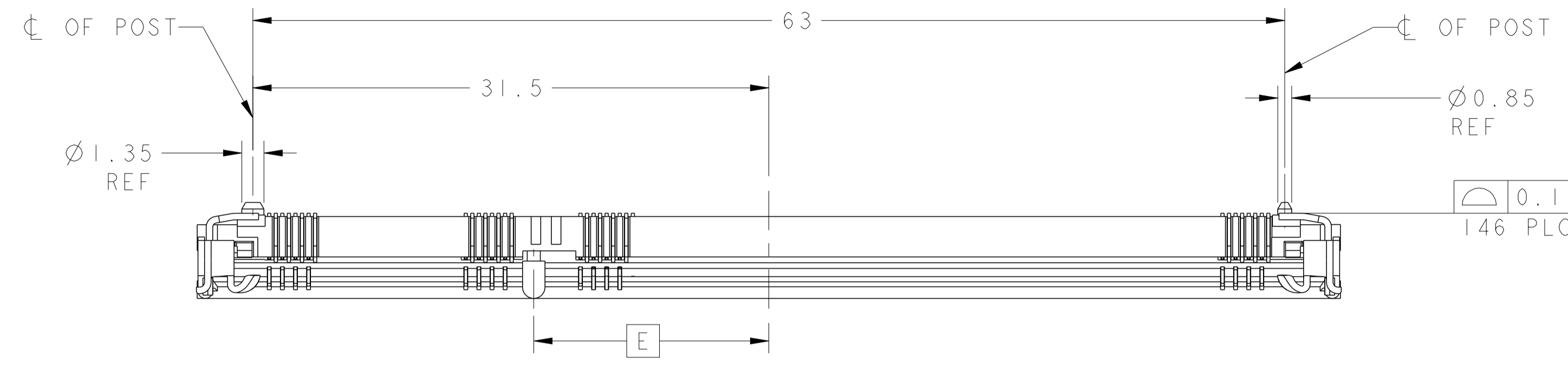
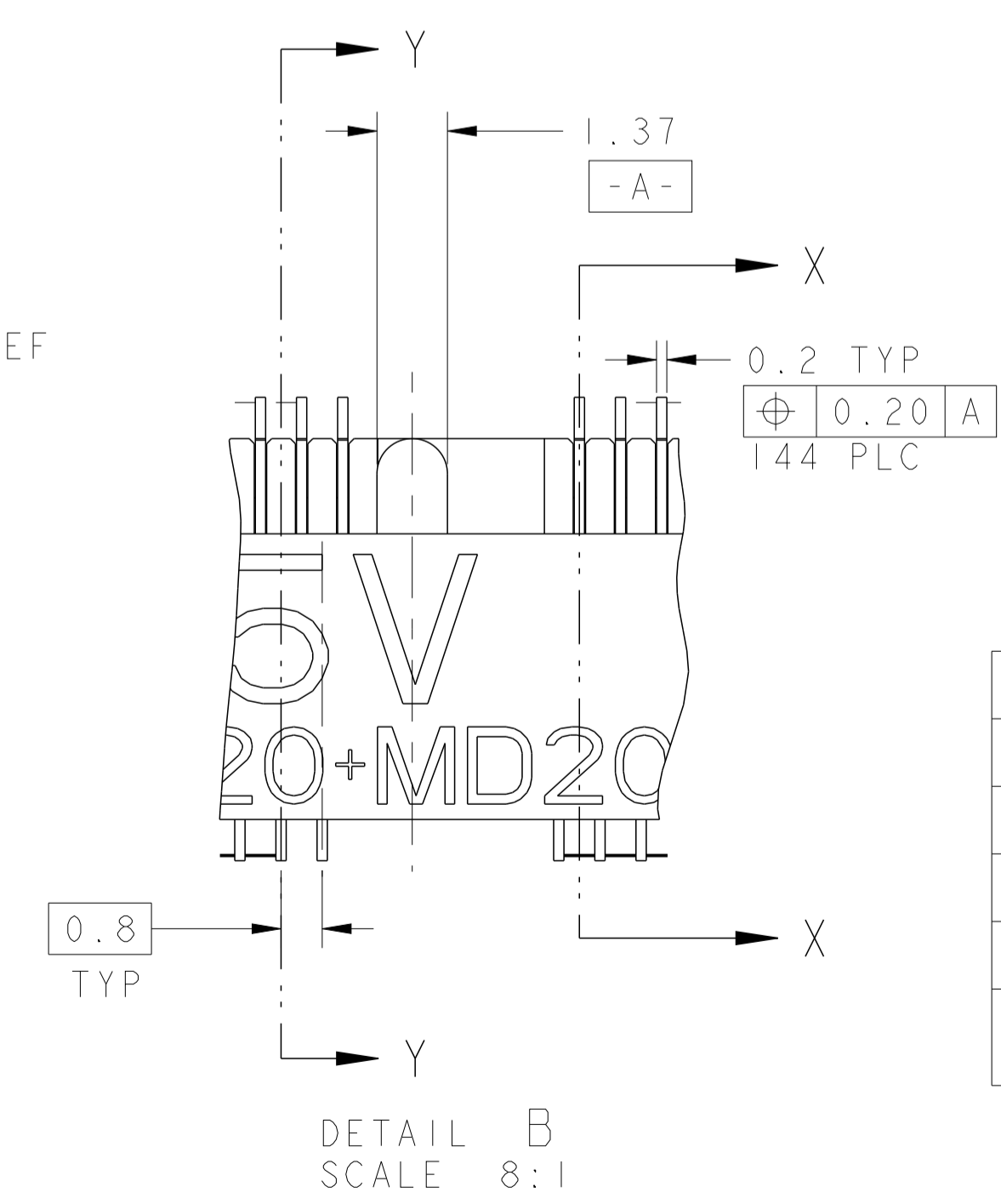
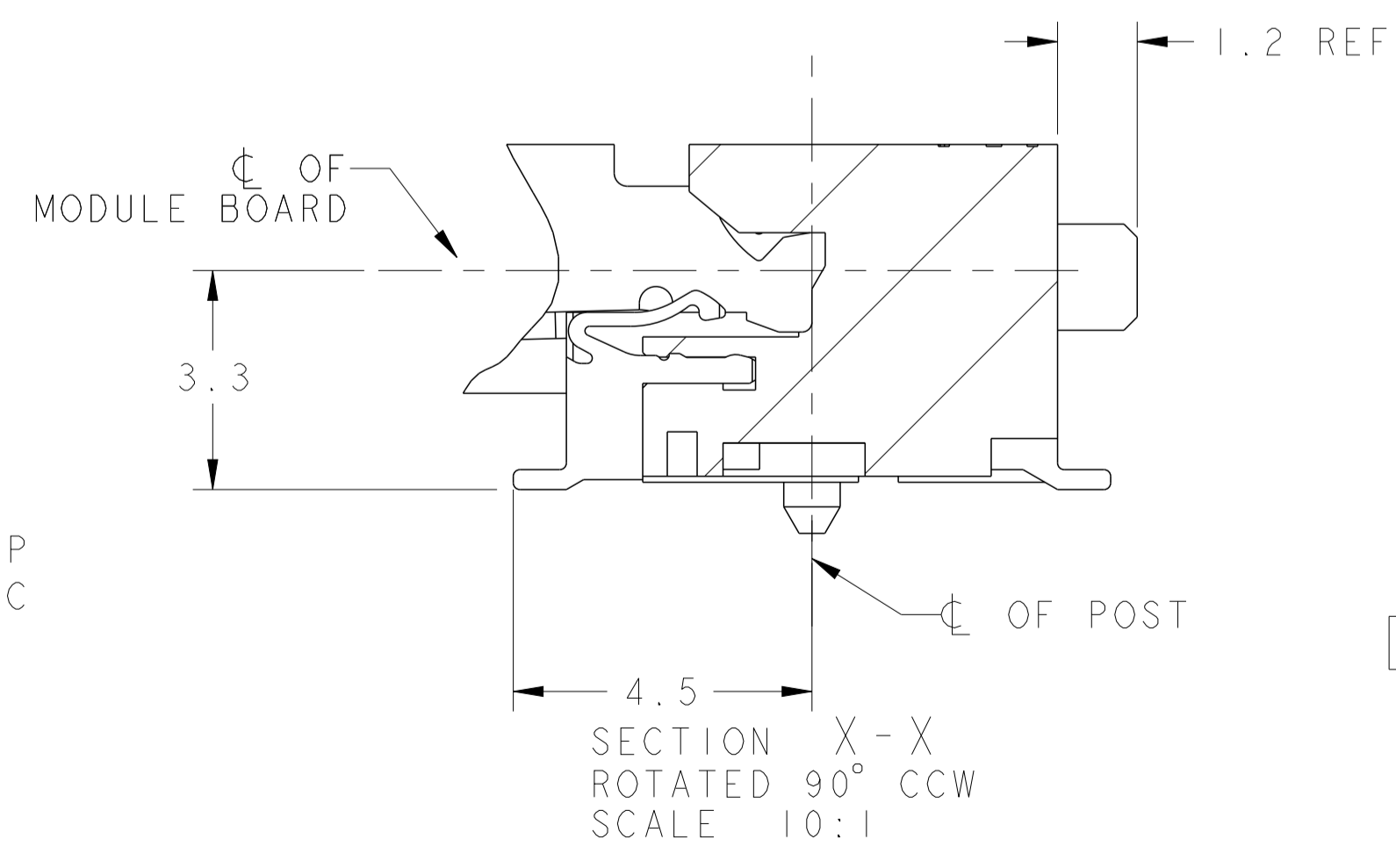
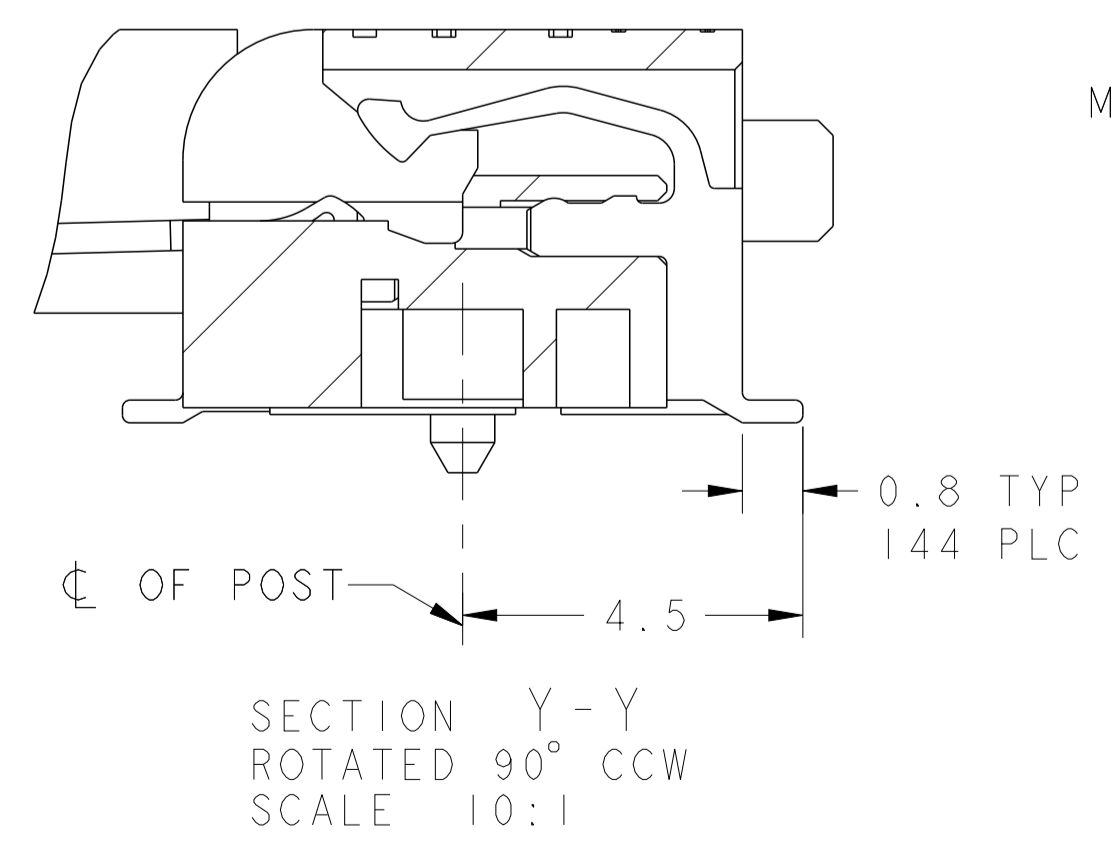
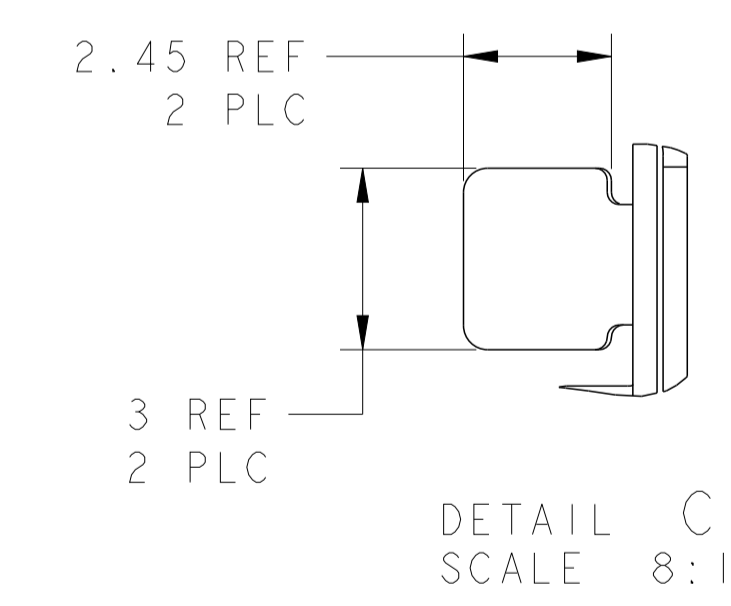
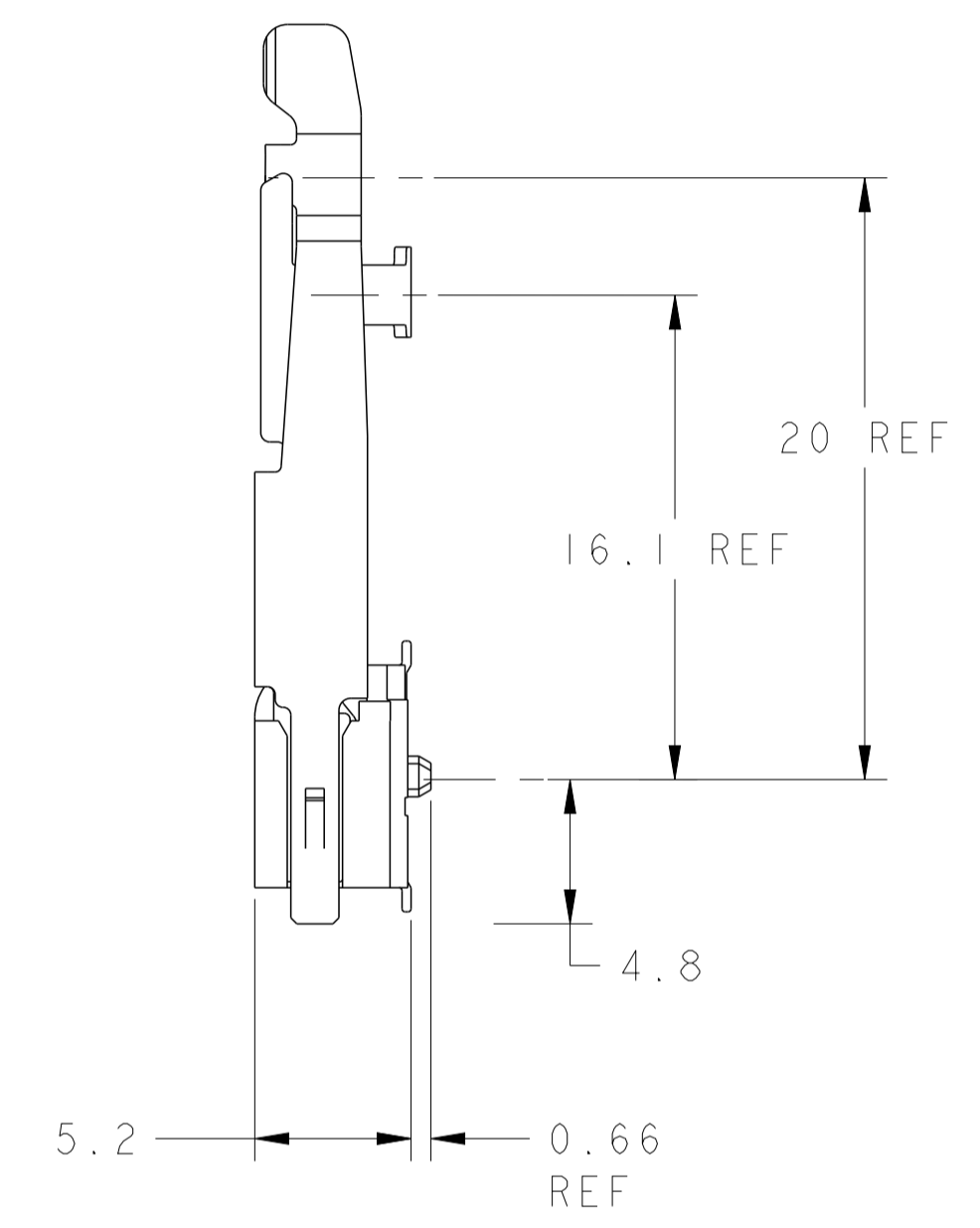
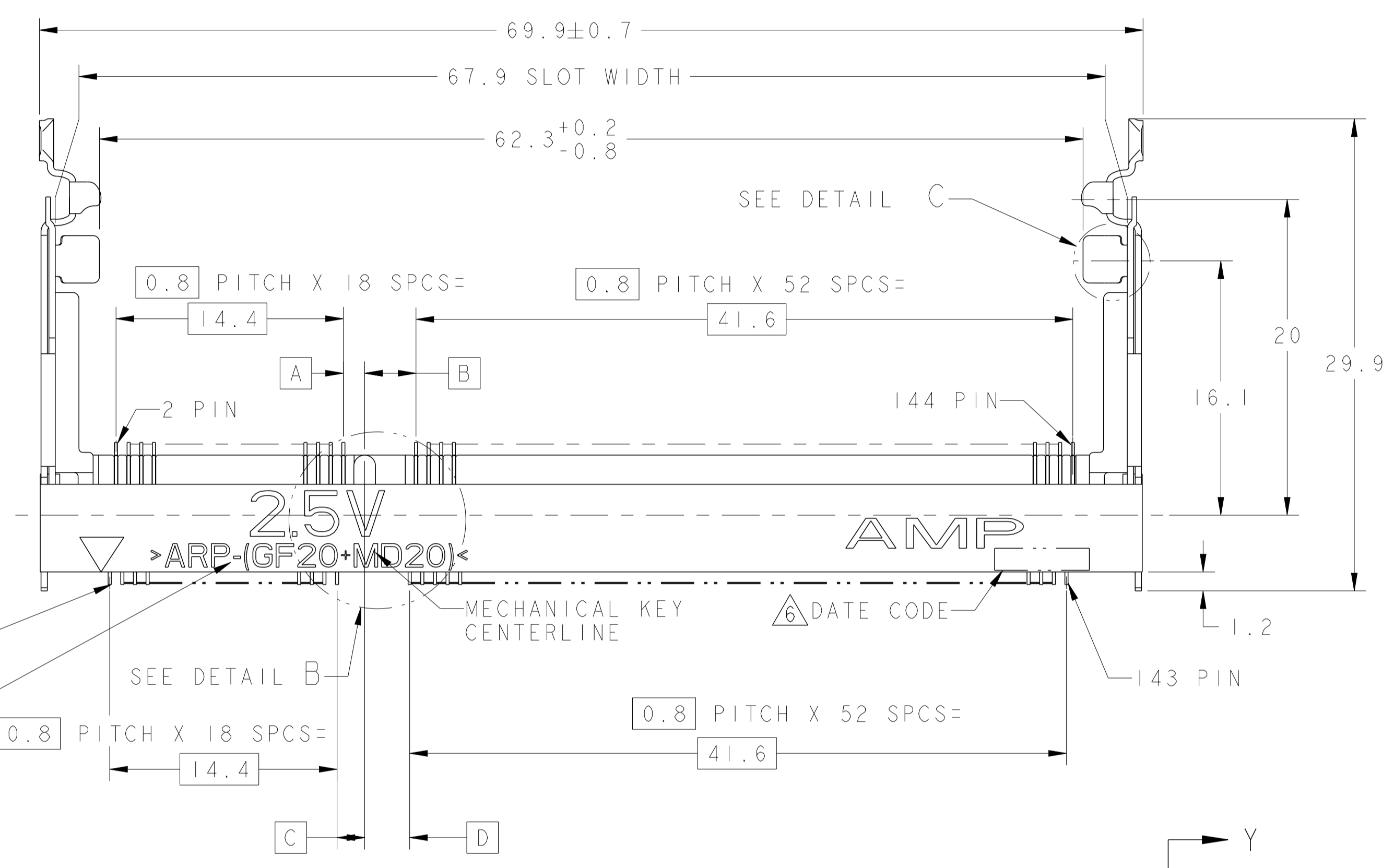


LOC	DIST	REVISIONS			
NO	DATE	DESCRIPTION	BY	CHK	APPD
A2		REVISED PER ECR-11-021344			



- 1 MATERIAL:
 HOUSING: HIGH TEMPERATURE PLASTIC, UL94V-0, NAT.
 CONTACT: COPPER ALLOY
 LATCH: SUS301 STAINLESS STEEL
- 2 FINISH:
 CONTACT AREA: 0.00025 MIN GOLD ON
 0.001 MIN ALL OVER NICKEL
 SOLDERING AREA: 0.00005 MIN TO 0.00030 MAX GOLD.
 LATCH: TIN.
- 3. TOLERANCES NON-ACCUMULATIVE.
- 4 PART PACKAGED IN TAPE & REEL AS PER EIA-1S704 STANDARD.
 REEL DIAMETER SHALL BE 330mm,
 TAPE WIDTH SHALL BE 88mm, AND
 TAPE PITCH SHALL BE 36mm.
- 5. COMPLIES WITH JEDEC SOCKET OUTLINE SO-008.
- 6 DATE CODE (4-DIGITS), LOCATED AS SHOWN.
 TO BE INTERPRETED AS FOLLOWS:
 DIGIT # 1 - LAST DIGIT OF YEAR.
 DIGITS # 2 AND # 3 - CALENDAR WEEK.
 DIGIT # 4 - DAY OF THE WEEK (WITH SUNDAYS AS DAY 1).

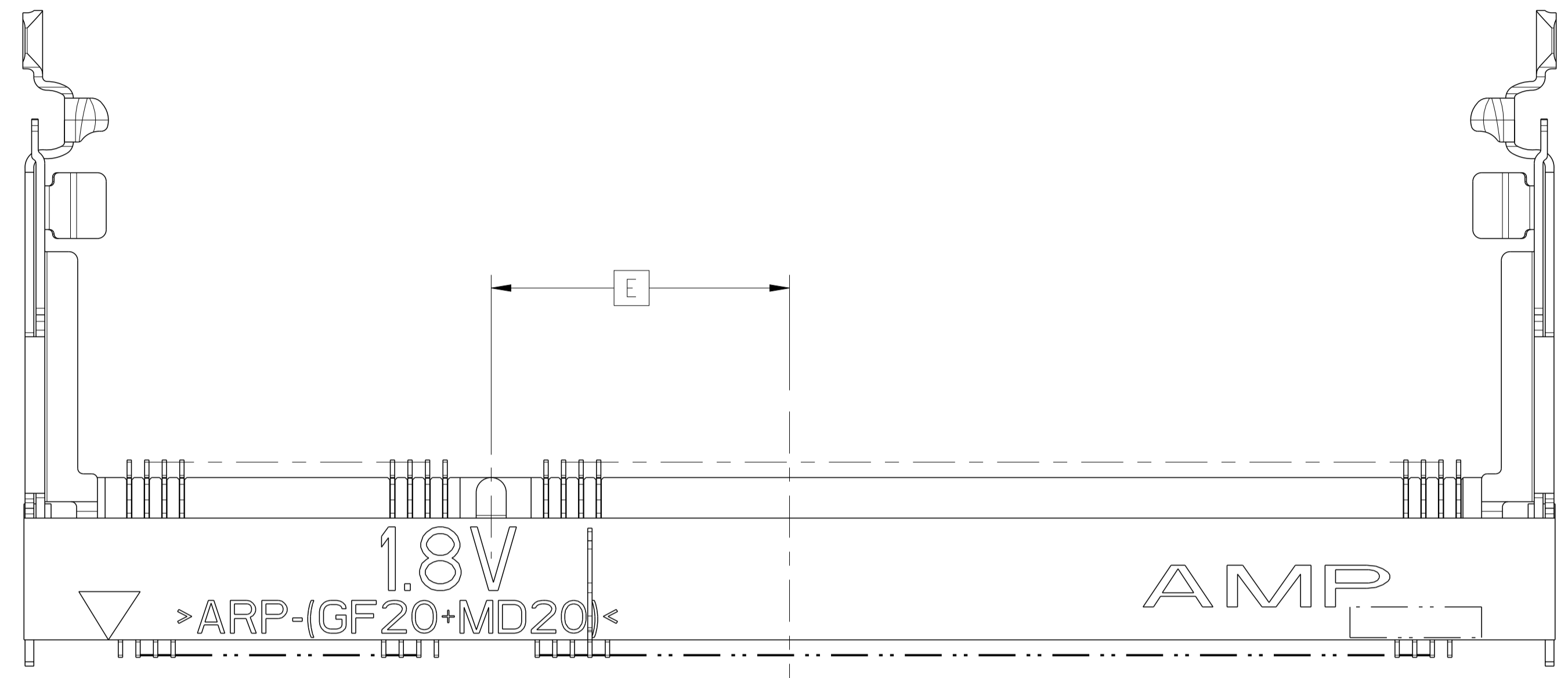


X-1735251-1 AS SHOWN

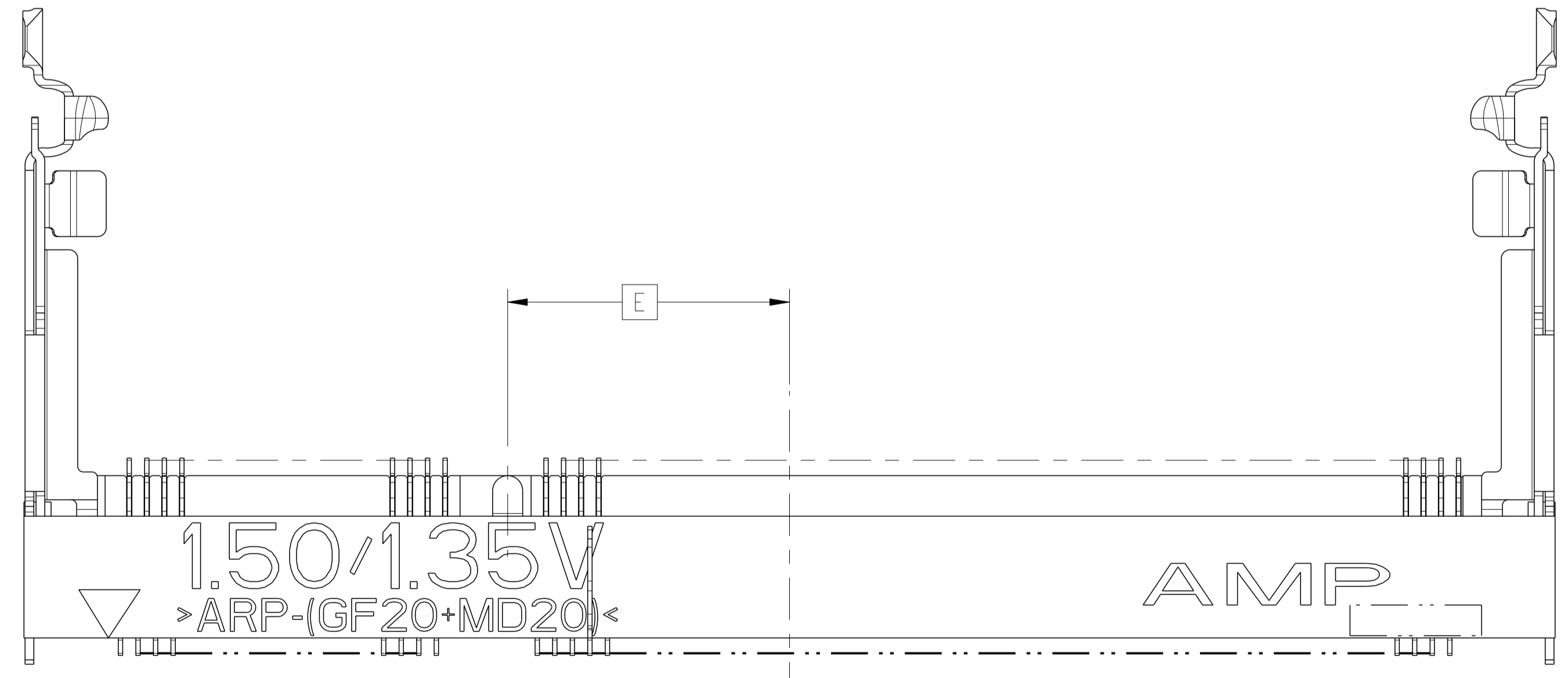
TAPE & REEL	12.85	1.35	3.25	1.75	2.85	AC 1.50/1.35V (DDR3)	144	1-1735251-3
TAPE & REEL	13.60	2.10	2.5	2.5	2.10	AB 1.8V (DDR2)	144	1-1735251-2
SOFT TRAY	12.85	1.35	3.25	1.75	2.85	AC 1.50/1.35V (DDR3)	144	1735251-3
SOFT TRAY	13.60	2.10	2.5	2.5	2.10	AB 1.8V (DDR2)	144	1735251-2
SOFT TRAY	14.35	2.85	1.75	3.25	1.35	AA 2.5V (DDR1)	144	1735251-1
PACKAGING	DIM E	DIM D	DIM C	DIM B	DIM A	VARIATION VOLTAGE (DDR TYPE)	POS	PART NUMBER

<small>THIS DRAWING IS A CONTROLLED DOCUMENT FOR AMP INCORPORATED ALL IN-SERVICE CHANGES AND THE CONTROL AND ENGINEERING ORGANIZATION SHOULD BE CONTACTED FOR THE LATEST REVISION.</small>		DWN: NYLEE CHK: YJ SEE APD: SE LEONG PRODUCT SPEC: 108-1739 APPLICATION SPEC: 114-1114	25MAY05 NAME: S.O. DIMM SOCKET, 0.8mm PITCH, 144 POSITION, STD PROFILE SIZE: A1 CAGE CODE: 00779 DRAWING NO: 1735251
DIMENSIONS: mm TOLERANCES UNLESS OTHERWISE SPECIFIED: 0 PLC ±0.2 1 PLC ±0.2 2 PLC ±0.2 3 PLC ±0.2 4 PLC ±0.2 ANGLES ±°	FINISH: 1 2	MATERIAL: 1 2	WEIGHT: - CUSTOMER DRAWING: - SCALE: 4:1 SHEET: 1 of 3 REV: A2

LOC	DIST	REVISIONS			
		REV	DATE	BY	APPD
01	-	1	-	SEE SHEET 1	-



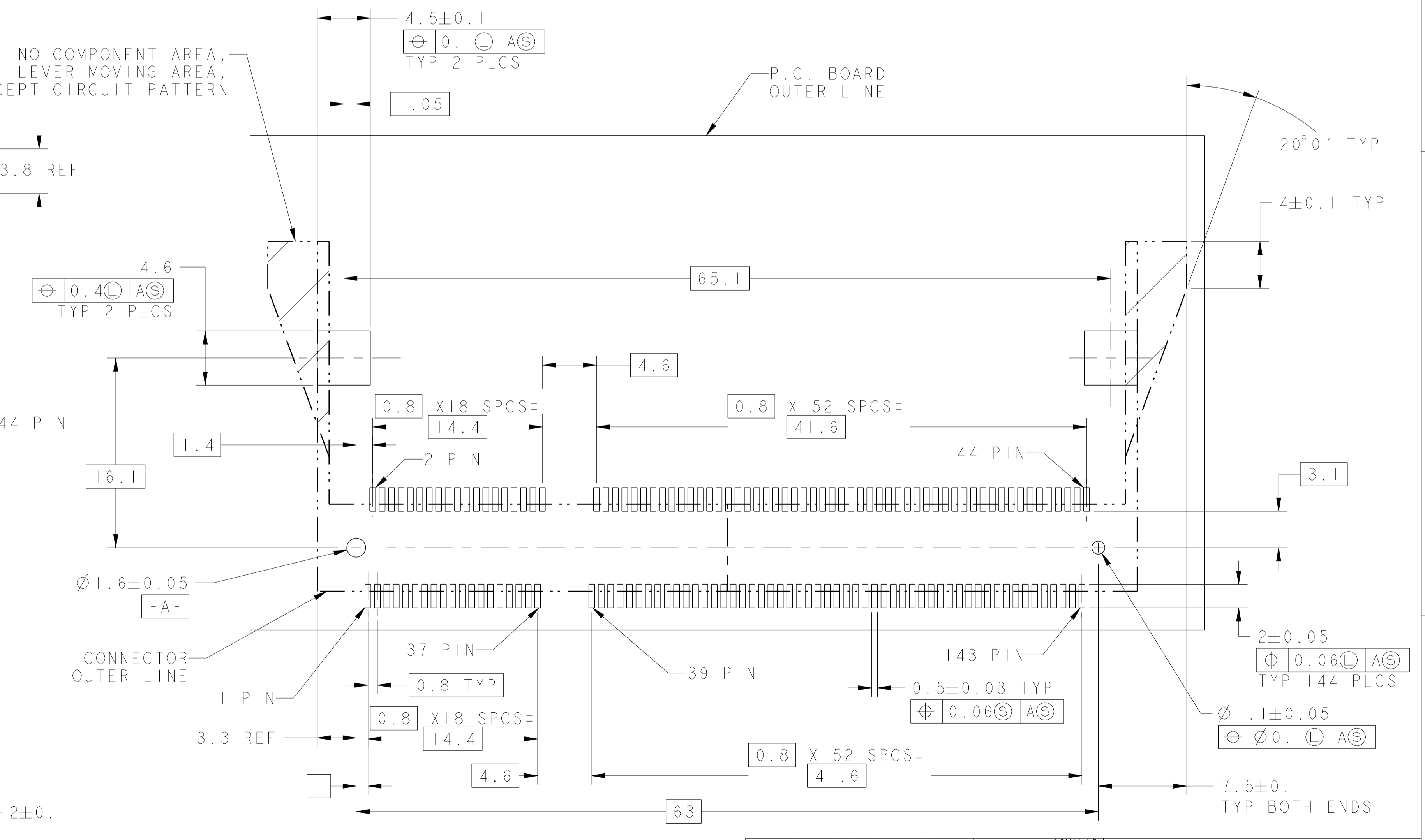
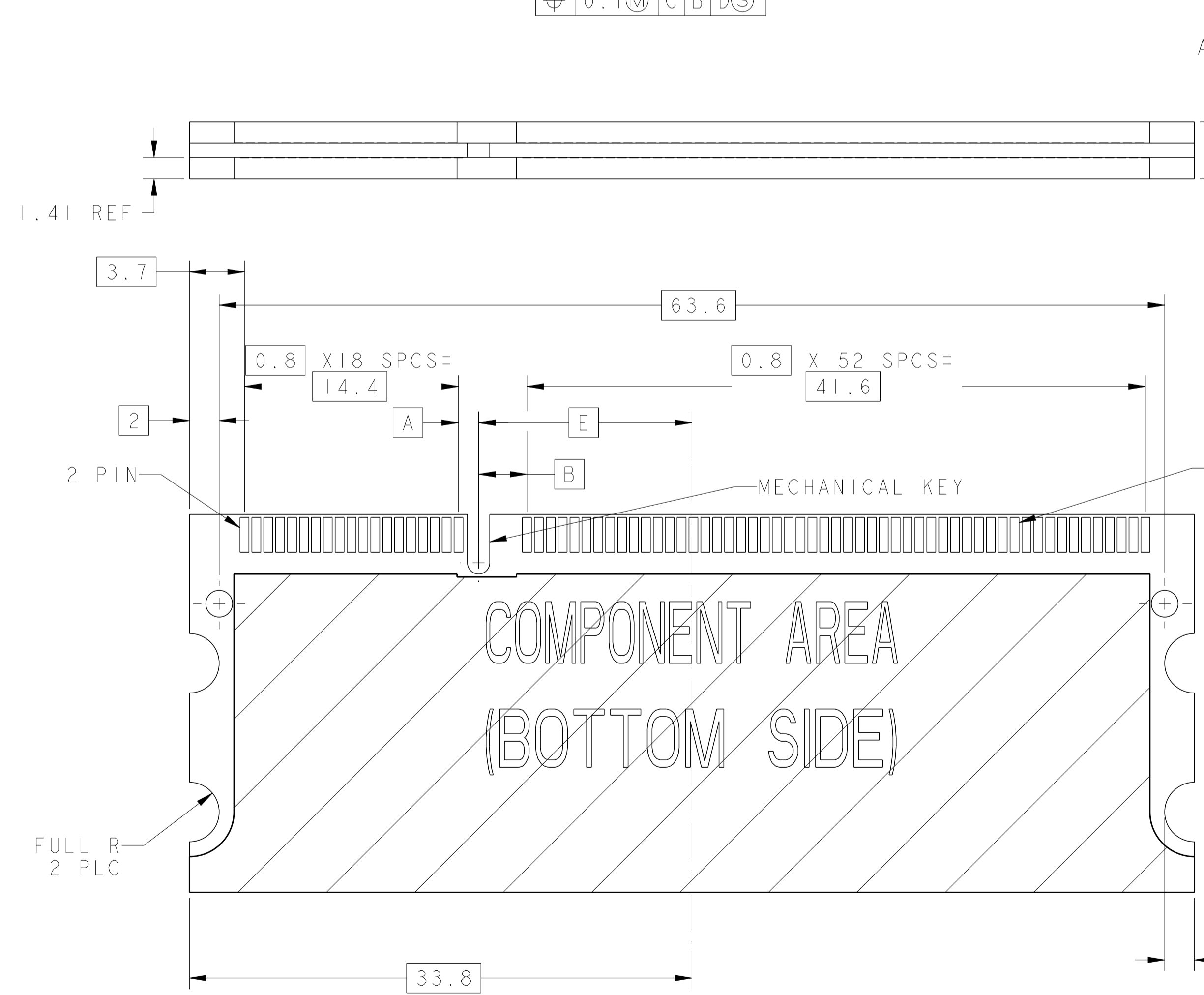
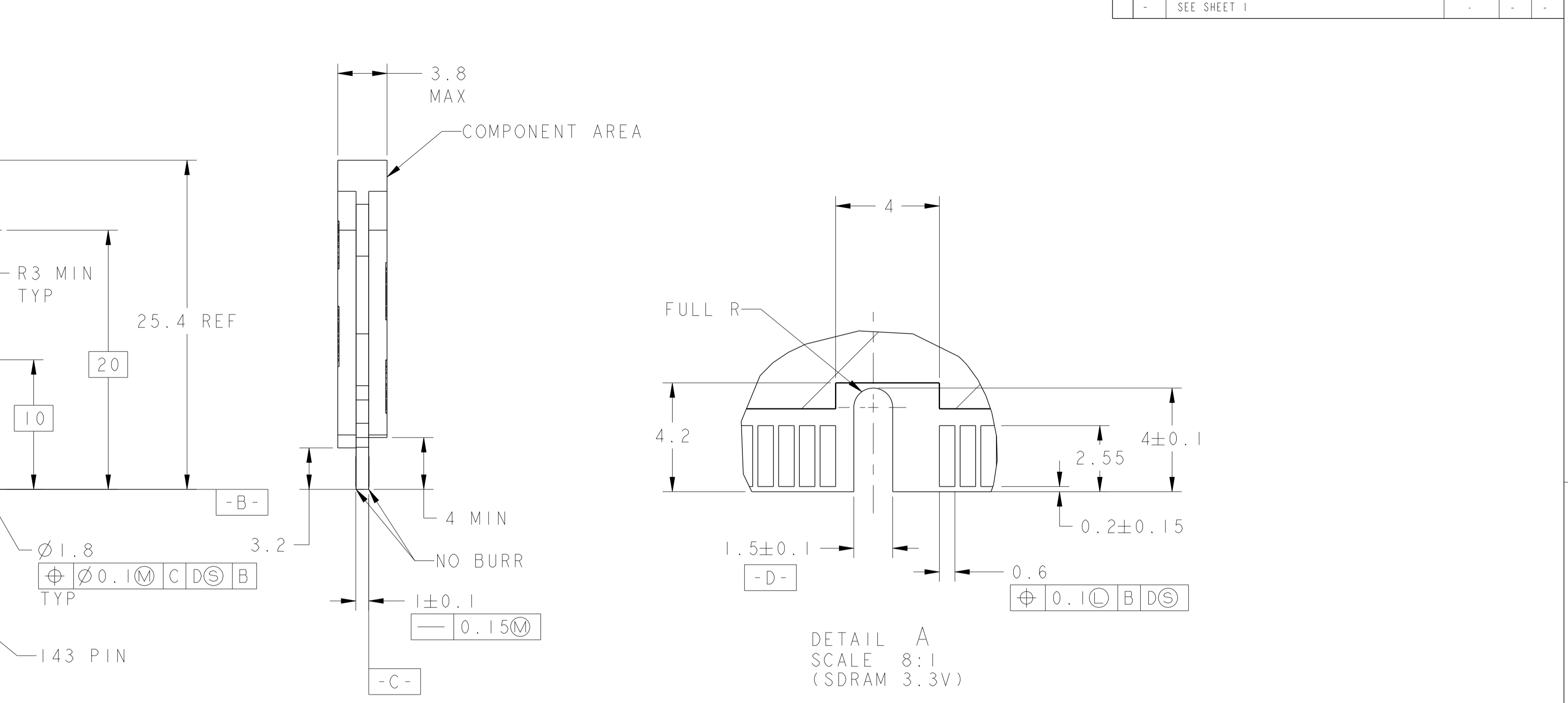
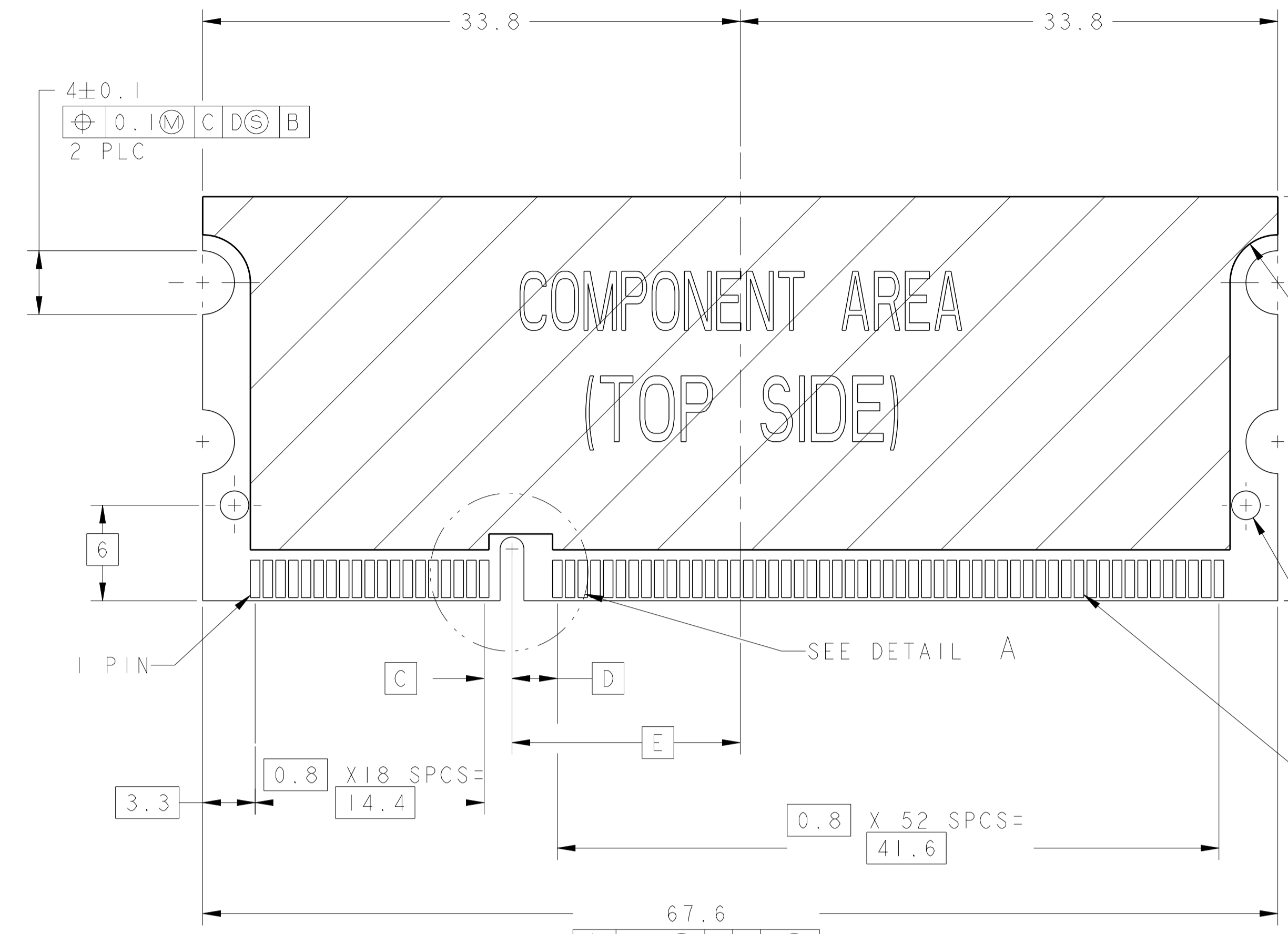
X-1735251-2 AS SHOWN



X-1735251-3 AS SHOWN

<small>THIS DRAWING IS A CONTROLLED DOCUMENT FOR AMP INCORPORATED. ALL CHANGES TO THIS DRAWING MUST BE APPROVED BY THE ORIGINAL DESIGNING ORGANIZATION. ANY CHANGES MADE BY OTHER ORGANIZATIONS SHOULD BE CONTACTED FOR THE LATEST REVISION.</small>		DWN: WYLEE CHK: Y.J. SEE APVD: SE LEONG PRODUCT SPEC: 108-1739 APPLICATION SPEC: 114-1114	25MAT05 STE TE CONNECTIVITY Singapore
DIMENSIONS: mm 	TOLERANCES UNLESS OTHERWISE SPECIFIED: 0 PLC ±0.2 1 PLC ±0.2 2 PLC ±0.2 3 PLC ±0.2 4 PLC ± ANGLES ±°	NAME: S.O. DIMM SOCKET, 0.8mm PITCH, 144 POSITION, STD PROFILE SIZE: A1 CAGE CODE: 00779 DRAWING NO: C-1735251	SCALE: 4:1 SHEET: 2 of 3 REV: A2
MATERIAL: FINISH:		WEIGHT:	CUSTOMER DRAWING

LOC	DIST	REVISIONS		
P	LT#	DESCRIPTION	DATE	APPD
-	-	SEE SHEET 1	-	-



RECOMMENDED P.C. BOARD PATTERN LAYOUT (CONNECTOR MOUNTING SIDE)

<small>THIS DRAWING IS A CONTROLLED DOCUMENT FOR AMP INCORPORATED AND IS SUBJECT TO CHANGE. AMP, THE CONTROLLED ENGINEERING ORGANIZATION SHOULD BE CONTACTED FOR THE LATEST REVISION.</small>		DWN: WYLEE CHK: Y.J. SEE APVD: SE LEONG PRODUCT SPEC: 108-1739 APPLICATION SPEC: 114-1114 WEIGHT: - CUSTOMER DRAWING	25MAY05 NAME: S.O. DIMM SOCKET, 0.8mm PITCH, 144 POSITION, STD PROFILE SIZE: A1 CAGE CODE: 00779 DRAWING NO: C-1735251 SCALE: 4:1 SHEET: 3 of 3 REV: A2	TE CONNECTIVITY Singapore
DIMENSIONS: mm 0 PLC ±0.2 1 PLC ±0.2 2 PLC ±0.2 3 PLC ±0.2 4 PLC ±0.2 ANGLES ±°	TOLERANCES UNLESS OTHERWISE SPECIFIED: 0 PLC ±0.2 1 PLC ±0.2 2 PLC ±0.2 3 PLC ±0.2 4 PLC ±0.2 ANGLES ±°	MATERIAL: FINISH:	DIMENSIONS: mm 0 PLC ±0.2 1 PLC ±0.2 2 PLC ±0.2 3 PLC ±0.2 4 PLC ±0.2 ANGLES ±°	DIMENSIONS: mm 0 PLC ±0.2 1 PLC ±0.2 2 PLC ±0.2 3 PLC ±0.2 4 PLC ±0.2 ANGLES ±°

Mouser Electronics

Authorized Distributor

Click to View Pricing, Inventory, Delivery & Lifecycle Information:

[TE Connectivity:](#)

[1735251-3](#)