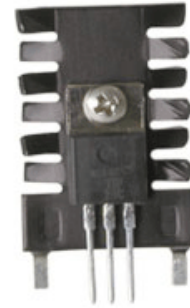


Board Level Cooling – Space Saving 5925



BOARD LEVEL COOLING – Space Saving 5925

Space Saving 5925 is a series of staggered fin board level heat sinks designed to cool TO-220 and TO-220-single gauge devices. Representative image only.



ORDERING INFORMATION

| Part Number | Device Type |
|---------------|-----------------------------|
| 592502B02800G | TO-220, TO-220-single gauge |
| 592502B03400G | TO-220, TO-220-single gauge |

HEAT SINK DETAILS

| Property | Details |
|----------------------------|-----------------------|
| Material | Aluminum |
| Finish | Black Anodize |
| Device Attachment Options | Requires Mounting Kit |
| Thermal Interface Material | - |

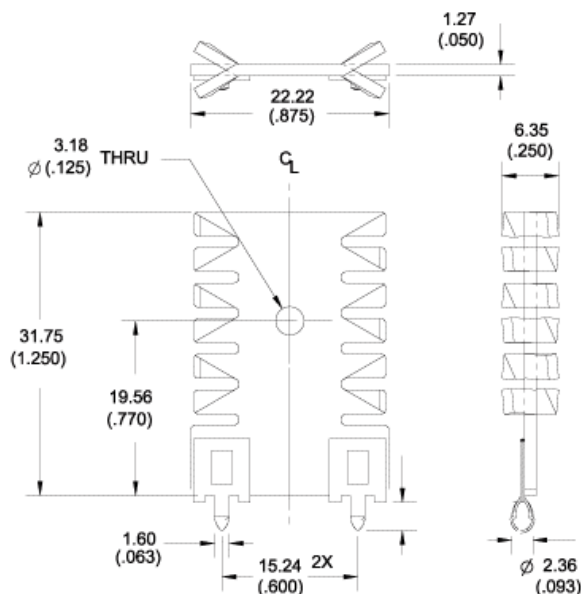
| Property | Details |
|------------------------------|----------|
| Heat Sink Width (mm) | 6.35 |
| Heat Sink Length (mm) | 31.75 |
| Heat Sink Height (mm) | 22.22 |
| Heat Sink Mounting Direction | Vertical |

MECHANICAL & PERFORMANCE

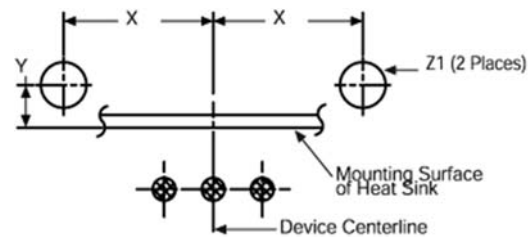
Drawing dimensions are shown in mm, (in)

| Part Number | "Y" Dim | "Z" Dim |
|---------------|--------------|--------------|
| 592502B02800G | - | - |
| 592502B03400G | 1.14 (0.045) | 2.39 (0.094) |

Part Number: 592502B02800G

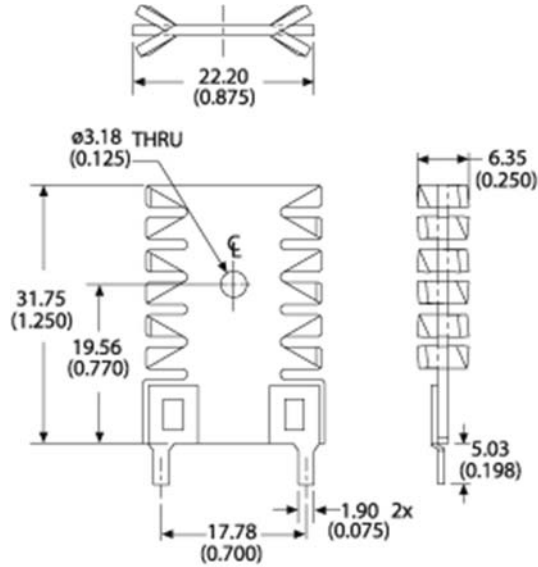


Mounting Details:

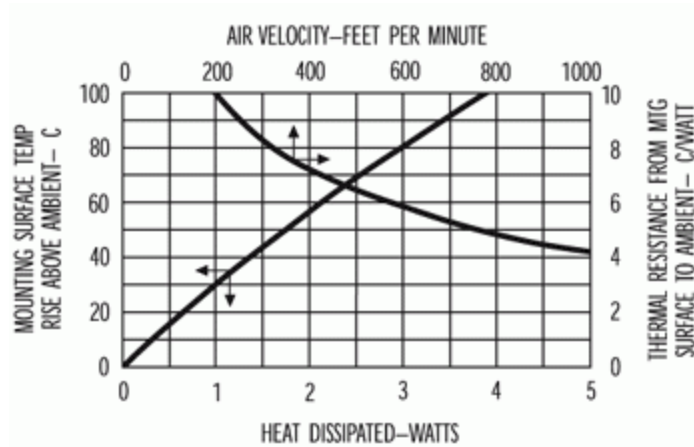
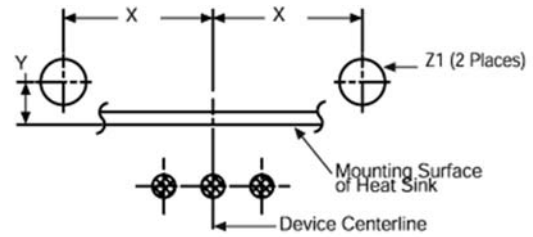


Board Level Cooling – Space Saving 5925

Part Number: 592502B03400G



Mounting Details:



Mouser Electronics

Authorized Distributor

Click to View Pricing, Inventory, Delivery & Lifecycle Information:

[Aavid Thermalloy:](#)

[591302B02800G](#) [591302B00000G](#) [591302B04000G](#)