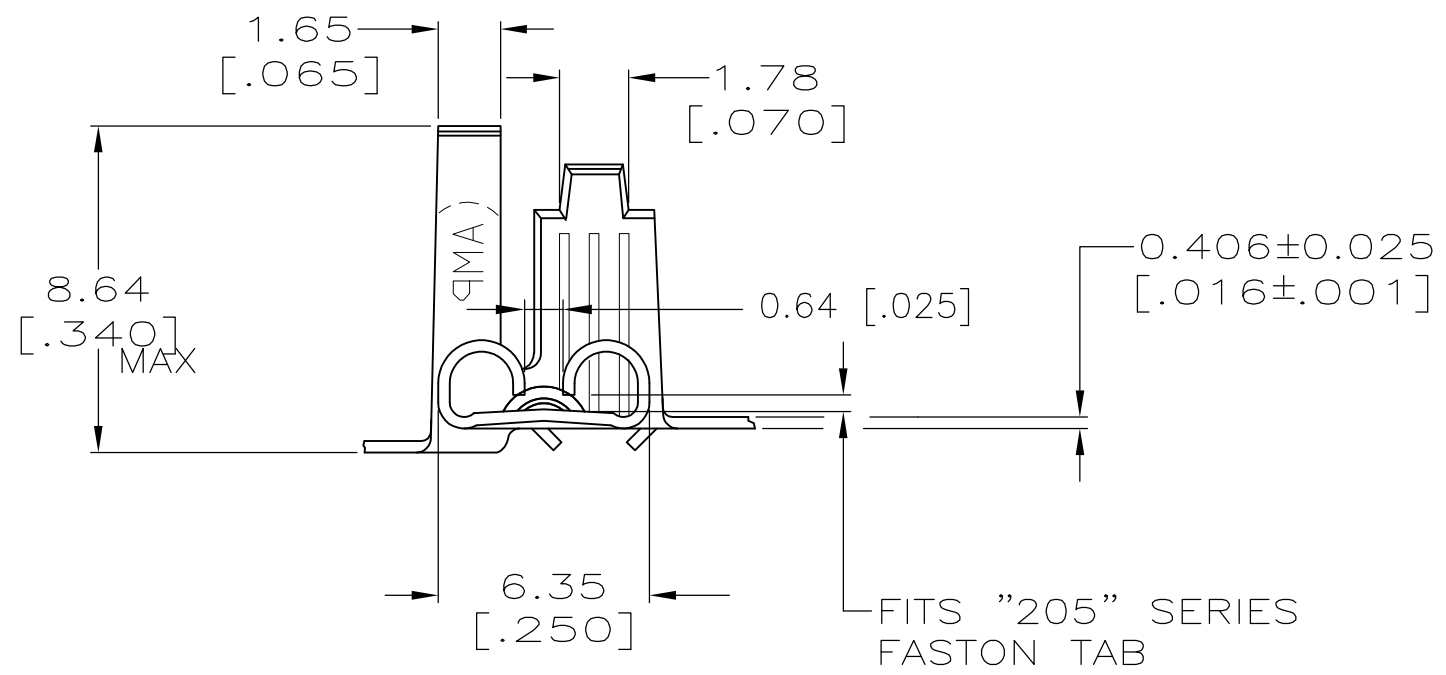
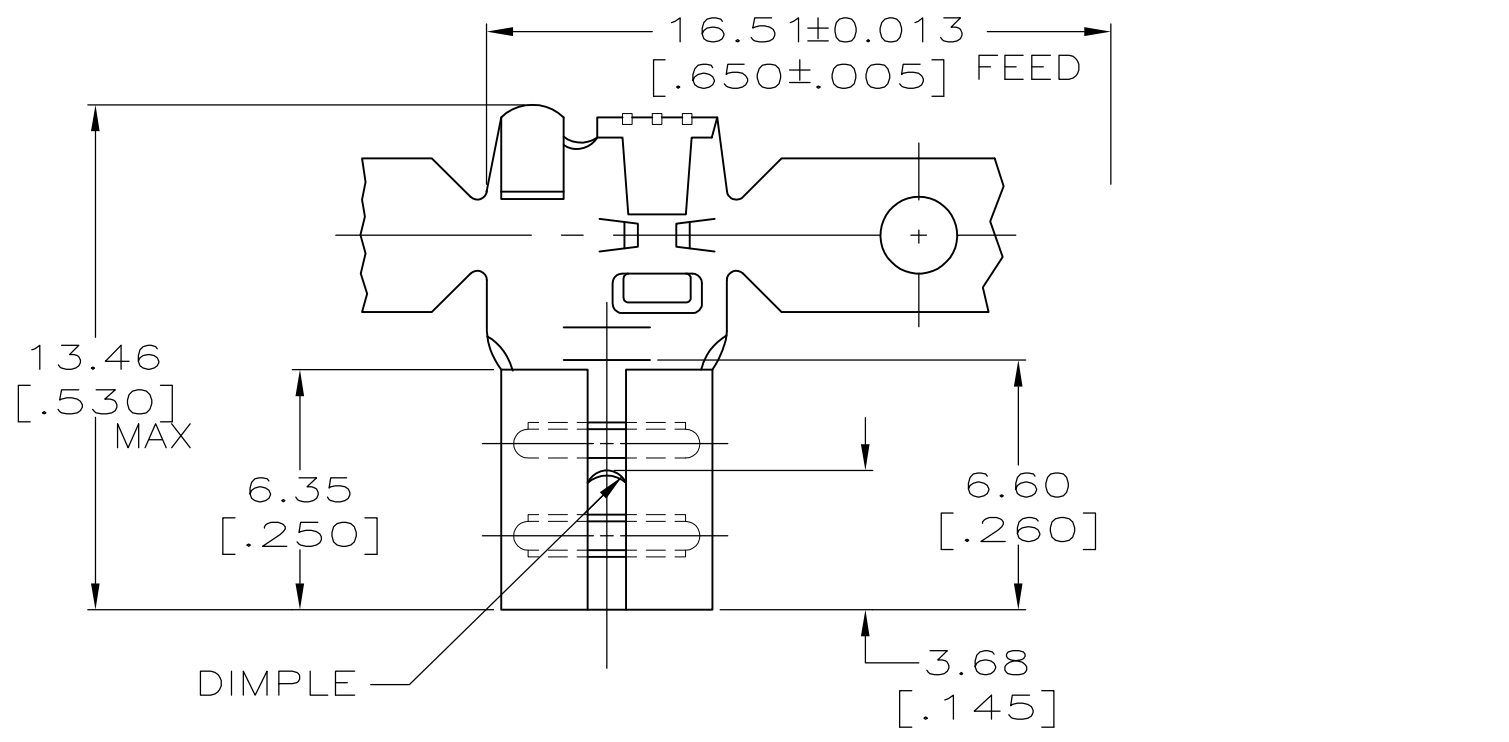


THIS DRAWING IS UNPUBLISHED. RELEASED FOR PUBLICATION  
 © COPYRIGHT 1963 By - ALL RIGHTS RESERVED.

LOC	DIST	REVISIONS					
		P	LTR	DESCRIPTION	DATE	DWN	APVD
AF	50		R	REVISED PER ECR-12-013445	09NOV12	KH	PD



- CONTINUOUS STRIP ON REELS.
- WIRE SIZE IS [#20-#14] AWG.
- INSULATION RANGE TO BE 2.79-4.32 [.110-.170] DIA.
- MATING TAB THK TO BE 0.813±0.025 [.032±.001].

-	T3 PHOS BRONZE	42234-5
-	-	-
-	-	-
TIN	BRASS	42234-2
-	H04 BRASS	42234-1
FINISH	MATERIAL	PART NO

THIS DRAWING IS A CONTROLLED DOCUMENT.	
DIMENSIONS: mm [INCHES]	TOLERANCES UNLESS OTHERWISE SPECIFIED:
	0 PLC ± -
	1 PLC ± -
	2 PLC ± 0.25[.010]
	3 PLC ± -
	4 PLC ± -
MATERIAL SEE TABLE	FINISH SEE TABLE

DWN M.S. FEHER 25NOV2003	TE Connectivity	RECEPTACLE, FASTON, FLAG, 5.21 [.205] SERIES
CHK P DESANTIS 25NOV2003		
APVD P DESANTIS 25NOV2003		
PRODUCT SPEC -		
APPLICATION SPEC 114-2078	NAME	RESTRICTED TO
WEIGHT -	SIZE A3	CAGE CODE 00779
CUSTOMER DRAWING	DRAWING NO C-42234	SCALE 5:1
	SHEET 1 OF 1	REV R

# Mouser Electronics

Authorized Distributor

Click to View Pricing, Inventory, Delivery & Lifecycle Information:

[TE Connectivity:](#)

[42234-2 \(Cut Strip\)](#) [42234-2 \(Mouser Reel\)](#)