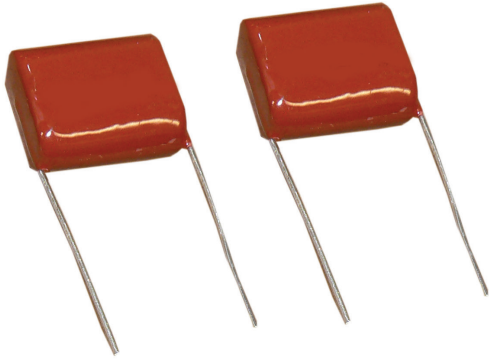


Type DPFF High AC Current Polypropylene Film Capacitors

High Voltage Single and Series Section Film/Foil Polypropylene Capacitors



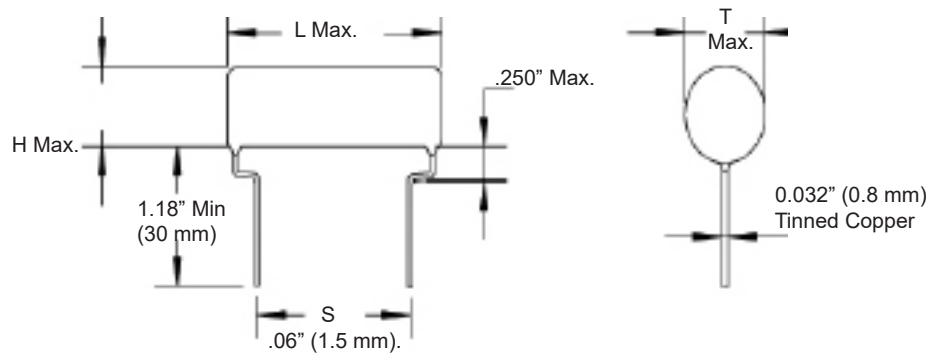
Type DPFF radial leaded polypropylene film/foil capacitors feature single section extended foil construction for 200 Vdc through 600 Vdc and series wound extended foil with a floating common metallized film for 800 Vdc through 1600 Vdc. Excellent temperature stability to 105 °C and low loss characteristics, make Type DPFF ideal for high AC current and pulse applications.

Highlights

- High dv/dt
- High AC current
- Good for pulse applications
- Low DF

Outline Drawing

NOTE: Other capacitance values, sizes and performance specifications are available. Please contact CDE.



Specifications

Capacitance Range	0.001 to 0.47 μ F				
Capacitance Tolerance	\pm 10% (K) standard, \pm 5% (J) optional				
Rated Voltage	200 to 1600 Vdc (155 to 500 Vac 60 Hz)				
Operating Temperature Range	-55 °C to +125 °C (with 50% Vdc derating >85 °C)				
Dielectric Strength	250% (\leq 800 Vdc) 200% (1200 and 1600 Vdc) for 1 minute				
Dissipation Factor	.10% Max. (25 °C, 1kHz)				
Insulation Resistance	50,000 M Ω x μ F, 100,000 M Ω Min				
Life Test	500 Hours at 85°C at 125% Rated Voltage				
Pulse Capability	Rated Volts	Body Length			
		.700-.750	.900-.950	1.250-1.300	1.650-1.700
	dV/dt — volts per microsecond, maximum				
	200	4600	2400	1400	720
	400	6000	3200	1800	840
	600	8000	6600	2800	1200
800			6000	3200	
1200			6800	3200	
1600			11600	6000	
RoHS Compliant					

Type DPFF High AC Current Polypropylene Film Capacitors

Ratings

Cap (µF)	Catalog Part Number	T Max. Inches (mm)	H Max. Inches (mm)	L Max. Inches (mm)	S ±0.06 (±1.5) Inches (mm)
200/250 Vdc (155 Vac 60 Hz)					
.0120	DPFF2S12J-F	0.37 (9.4)	0.37 (9.4)	0.75 (19.1)	0.374 (9.5)
.0150	DPFF2S15J-F	0.37 (9.4)	0.37 (9.4)	0.75 (19.1)	0.374 (9.5)
.0150	DPFF2S15JS-F	0.28 (7.1)	0.34 (8.6)	0.70 (17.8)	0.374 (9.5)
.0180	DPFF2S18J-F	0.37 (9.4)	0.37 (9.4)	0.75 (19.1)	0.374 (9.5)
.0220	DPFF2S22J-F	0.37 (9.4)	0.37 (9.4)	0.75 (19.1)	0.374 (9.5)
.0220	DPFF2S22JS-F	0.31 (7.9)	0.37 (9.4)	0.70 (17.8)	0.374 (9.5)
.0270	DPFF2S27J-F	0.42 (10.7)	0.42 (10.7)	0.75 (19.1)	0.374 (9.5)
.0330	DPFF2S33J-F	0.42 (10.7)	0.42 (10.7)	0.75 (19.1)	0.374 (9.5)
.0330	DPFF2S33JS-F	0.36 (9.1)	0.42 (10.7)	0.70 (17.8)	0.374 (9.5)
.0390	DPFF2S39J-F	0.40 (10.2)	0.40 (10.2)	0.95 (24.1)	0.374 (9.5)
.0470	DPFF2S47J-F	0.40 (10.2)	0.40 (10.2)	0.95 (24.1)	0.374 (9.5)
.0470	DPFF2S47JS-F	0.34 (8.6)	0.40 (10.2)	0.90 (22.9)	0.374 (9.5)
.0560	DPFF2S56J-F	0.45 (11.4)	0.45 (11.4)	0.95 (24.1)	0.374 (9.5)
.0680	DPFF2S68J-F	0.45 (11.4)	0.45 (11.4)	0.95 (24.1)	0.374 (9.5)
.0680	DPFF2S68JS-F	0.39 (9.9)	0.45 (11.4)	0.90 (22.9)	0.374 (9.5)
.0820	DPFF2S82J-F	0.45 (11.4)	0.45 (11.4)	1.30 (33.0)	0.72 (18.3)
.1000	DPFF2P1J-F	0.45 (11.4)	0.45 (11.4)	1.25 (31.8)	0.72 (18.3)
.1000	DPFF2P1JS-F	0.38 (9.7)	0.44 (11.2)	1.25 (31.8)	0.72 (18.3)
.1200	DPFF2P12J-F	0.55 (14.0)	0.55 (14.0)	1.30 (33.0)	0.72 (18.3)
.1500	DPFF2P15J-F	0.55 (14.0)	0.55 (14.0)	1.30 (33.0)	0.72 (18.3)
.1500	DPFF2P15JS-F	0.44 (11.2)	0.50 (12.7)	1.25 (31.8)	0.72 (18.3)
.1800	DPFF2P18J-F	0.62 (15.7)	0.62 (15.7)	1.30 (33.0)	0.72 (18.3)
.2200	DPFF2P22J-F	0.62 (15.7)	0.62 (15.7)	1.30 (33.0)	0.72 (18.3)
.2200	DPFF2P22JS-F	0.51 (13.0)	0.57 (14.5)	1.25 (31.8)	0.72 (18.3)
.2700	DPFF2P27J-F	0.65 (16.5)	0.65 (14.5)	1.70 (43.2)	1.095 (27.8)
.3300	DPFF2P33J-F	0.65 (16.5)	0.65 (14.5)	1.65 (41.9)	1.095 (27.8)
.3300	DPFF2P33JS-F	0.53 (13.5)	0.59 (15.0)	1.65 (41.9)	1.095 (27.8)
.3900	DPFF2P39J-F	0.75 (19.1)	0.75 (19.1)	1.70 (43.2)	1.095 (27.8)
.4700	DPFF2P47J-F	0.75 (19.1)	0.75 (19.1)	1.70 (43.2)	1.095 (27.8)
.4700	DPFF2P47JS-F	0.6 (15.2)	0.66 (168)	1.65 (41.9)	1.095 (27.8)
400 Vdc (200 Vac 60 Hz)					
.0039	DPFF4D39J-F	0.40 (10.2)	0.40 (10.2)	0.75 (19.1)	0.374 (9.5)
.0047	DPFF4D47J-F	0.40 (10.2)	0.40 (10.2)	0.75 (19.1)	0.374 (9.5)
.0056	DPFF4D56J-F	0.40 (10.2)	0.40 (10.2)	0.75 (19.1)	0.374 (9.5)
.0068	DPFF4D68J-F	0.40 (10.2)	0.40 (10.2)	0.75 (19.1)	0.374 (9.5)
.0082	DPFF4D82J-F	0.40 (10.2)	0.40 (10.2)	0.75 (19.1)	0.374 (9.5)
.0100	DPFF4S1J-F	0.40 (10.2)	0.40 (10.2)	0.75 (19.1)	0.374 (9.5)
.0120	DPFF4S12J-F	0.45 (11.4)	0.45 (11.4)	0.75 (19.1)	0.374 (9.5)
.0150	DPFF4S15J-F	0.45 (11.4)	0.45 (11.4)	0.75 (19.1)	0.374 (9.5)
.0150	DPFF4S15JS-F	0.34 (8.6)	0.40 (10.2)	0.70 (17.8)	0.374 (9.5)
.0180	DPFF4S18J-F	0.45 (11.4)	0.45 (11.4)	0.95 (24.1)	0.374 (9.5)
.0220	DPFF4S22J-F	0.45 (11.4)	0.45 (11.4)	0.95 (24.1)	0.374 (9.5)
.0270	DPFF4S27J-F	0.50 (12.7)	0.50 (12.7)	0.95 (24.1)	0.374 (9.5)
.0330	DPFF4S33J-F	0.50 (12.7)	0.50 (12.7)	0.95 (24.1)	0.374 (9.5)
.0330	DPFF4S33JS-F	0.38 (9.7)	0.44 (11.2)	0.90 (22.9)	0.374 (9.5)
.0390	DPFF4S39J-F	0.50 (12.7)	0.50 (12.7)	1.30 (33.0)	0.72 (18.3)

Cap (µF)	Catalog Part Number	T Max. Inches (mm)	H Max. Inches (mm)	L Max. Inches (mm)	S ±0.06 (±1.5) Inches (mm)
400 Vdc (200 Vac 60 Hz)					
.0470	DPFF4S47J-F	0.50 (12.7)	0.50 (12.7)	1.30 (33.0)	0.72 (18.3)
.0560	DPFF4S56J-F	0.55 (14.0)	0.55 (14.0)	1.30 (33.0)	0.72 (18.3)
.0680	DPFF4S68J-F	0.55 (14.0)	0.55 (14.0)	1.30 (33.0)	0.72 (18.3)
.0820	DPFF4S82J-F	0.60 (15.2)	0.60 (15.2)	1.30 (33.0)	0.72 (18.3)
.1000	DPFF4P1J-F	0.60 (15.2)	0.60 (15.2)	1.30 (33.0)	0.72 (18.3)
.1200	DPFF4P12J-F	0.65 (16.5)	0.65 (16.5)	1.30 (33.0)	0.72 (18.3)
.1500	DPFF4P15J-F	0.65 (16.5)	0.65 (16.5)	1.30 (33.0)	0.72 (18.3)
.1500	DPFF4P15JS-F	0.56 (14.2)	0.62 (15.7)	1.25 (31.8)	0.72 (18.3)
.1800	DPFF4P18J-F	0.70 (17.8)	0.70 (17.8)	1.70 (43.2)	1.095 (27.8)
.2200	DPFF4P22J-F	0.70 (17.8)	0.70 (17.8)	1.70 (43.2)	1.095 (27.8)
.2200	DPFF4P22JS-F	0.58 (14.7)	0.64 (16.3)	1.65 (41.9)	1.095 (27.8)
.2700	DPFF4P27J-F	0.80 (20.3)	0.80 (20.3)	1.70 (43.2)	1.095 (27.8)
.3300	DPFF4P33J-F	0.80 (20.3)	0.80 (20.3)	1.70 (43.2)	1.095 (27.8)
.3300	DPFF4P33JS-F	0.70 (17.8)	0.76 (19.3)	1.65 (41.9)	1.095 (27.8)
.3900	DPFF4P39J-F	0.90 (22.9)	0.90 (22.9)	1.70 (43.2)	1.095 (27.8)
.4700	DPFF4P47J-F	0.90 (22.9)	0.90 (22.9)	1.70 (43.2)	1.095 (27.8)
.4700	DPFF4P47JS-F	0.82 (20.8)	0.88 (22.4)	1.65 (41.9)	1.095 (27.8)
600/630 Vdc (200 Vac 60 Hz)					
.0010	DPFF6D1J-F	0.40 (10.2)	0.40 (10.2)	0.75 (19.1)	0.374 (9.5)
.0012	DPFF6D12J-F	0.40 (10.2)	0.40 (10.2)	0.75 (19.1)	0.374 (9.5)
.0015	DPFF6D15J-F	0.40 (10.2)	0.40 (10.2)	0.75 (19.1)	0.374 (9.5)
.0015	DPFF6D15JS-F	0.32 (8.1)	0.36 (9.1)	0.70 (17.8)	0.374 (9.5)
.0018	DPFF6D18J-F	0.40 (10.2)	0.40 (10.2)	0.75 (19.1)	0.374 (9.5)
.0022	DPFF6D22J-F	0.40 (10.2)	0.40 (10.2)	0.75 (19.1)	0.374 (9.5)
.0027	DPFF6D27J-F	0.40 (10.2)	0.40 (10.2)	0.75 (19.1)	0.374 (9.5)
.0033	DPFF6D33J-F	0.40 (10.2)	0.40 (10.2)	0.75 (19.1)	0.374 (9.5)
.0033	DPFF6D33JS-F	0.32 (8.1)	0.36 (9.1)	0.70 (17.8)	0.374 (9.5)
.0039	DPFF6D39J-F	0.45 (11.4)	0.45 (11.4)	0.75 (19.1)	0.374 (9.5)
.0047	DPFF6D47J-F	0.45 (11.4)	0.45 (11.4)	0.75 (19.1)	0.374 (9.5)
.0047	DPFF6D47JS-F	0.34 (8.6)	0.38 (9.7)	0.70 (17.8)	0.374 (9.5)
.0056	DPFF6D56J-F	0.45 (11.4)	0.45 (11.4)	0.75 (19.1)	0.374 (9.5)
.0068	DPFF6D68J-F	0.45 (11.4)	0.45 (11.4)	0.75 (19.1)	0.374 (9.5)
.0068	DPFF6D68JS-F	0.38 (9.7)	0.42 (10.7)	0.70 (17.8)	0.374 (9.5)
.0082	DPFF6D82J-F	0.45 (11.4)	0.45 (11.4)	0.95 (24.1)	0.374 (9.5)
.0100	DPFF6S1J-F	0.45 (11.4)	0.45 (11.4)	0.95 (24.1)	0.374 (9.5)
.0100	DPFF6S1JS-F	0.36 (8.1)	0.40 (10.2)	0.90 (22.9)	0.374 (9.5)
.0120	DPFF6S12J-F	0.50 (12.7)	0.50 (12.7)	0.95 (24.1)	0.374 (9.5)
.0150	DPFF6S15J-F	0.50 (12.7)	0.50 (12.7)	0.95 (24.1)	0.374 (9.5)
.0150	DPFF6S15JS-F	0.42 (10.7)	0.46 (11.7)	0.90 (22.9)	0.374 (9.5)
.0180	DPFF6S18J-F	0.55 (14.0)	0.55 (14.0)	0.95 (24.1)	0.374 (9.5)
.0220	DPFF6S22J-F	0.55 (14.0)	0.55 (14.0)	0.95 (24.1)	0.374 (9.5)
.0220	DPFF6S22JS-F	0.48 (12.2)	0.52 (13.2)	0.90 (22.9)	0.374 (9.5)
.0270	DPFF6S27J-F	0.55 (14.0)	0.55 (14.0)	1.30 (33.0)	0.72 (18.3)
.0270	DPFF6S27JS-F	0.43 (10.9)	0.47 (11.9)	1.25 (31.8)	0.72 (18.3)
.0330	DPFF6S33J-F	0.55 (14.0)	0.55 (14.0)	1.30 (33.0)	0.72 (18.3)
.0390	DPFF6S39J-F	0.60 (15.2)	0.60 (15.2)	1.30 (33.0)	0.72 (18.3)

Type DPFF High AC Current Polypropylene Film Capacitors

Cap (μ F)	Catalog Part Number	T Max. Inches (mm)	H Max. Inches (mm)	L Max. Inches (mm)	S ± 0.06 (± 1.5) Inches (mm)
600/630 Vdc (200 Vac 60 Hz)					
.0470	DPFF6S47J-F	0.60 (15.2)	0.60 (15.2)	1.30 (33.0)	0.72 (18.3)
.0560	DPFF6S56J-F	0.65 (16.5)	0.65 (16.5)	1.30 (33.0)	0.72 (18.3)
.0680	DPFF6S68J-F	0.65 (16.5)	0.65 (16.5)	1.30 (33.0)	0.72 (18.3)
.0680	DPFF6S68JS-F	0.60 (15.2)	0.64 (16.3)	1.25 (31.8)	0.72 (18.3)
.0820	DPFF6S82J-F	0.75 (16.0)	0.75 (16.0)	1.30 (33.0)	0.72 (18.3)
.1000	DPFF6P1J-F	0.75 (16.0)	0.75 (16.0)	1.30 (33.0)	0.72 (18.3)
.1000	DPFF6P1JS-F	0.71 (18.0)	0.75 (16.0)	1.25 (31.8)	0.72 (18.3)
.1200	DPFF6P12J-F	0.75 (19.0)	0.75 (19.0)	1.70 (43.2)	1.095 (27.8)
.1500	DPFF6P15J-F	0.75 (19.0)	0.75 (19.0)	1.70 (43.2)	1.095 (27.8)
.1500	DPFF6P15JS-F	0.71 (18.0)	0.75 (19.0)	1.65 (41.9)	1.095 (27.8)
.1800	DPFF6P18J-F	0.85 (21.6)	0.85 (21.6)	1.70 (43.2)	1.095 (27.8)
.2200	DPFF6P22J-F	0.85 (21.6)	0.85 (21.6)	1.70 (43.2)	1.095 (27.8)
.2200	DPFF6P22JS-F	0.83 (21.1)	0.85 (21.6)	1.65 (41.9)	1.095 (27.8)
800 Vdc (450 Vac 60 Hz)					
.0056	DPFF8D56J-F	0.50 (12.7)	0.50 (12.7)	1.30 (33.0)	0.72 (18.3)
.0056	DPFF8D56JS-F	0.28 (7.1)	0.34 (8.6)	1.25 (31.8)	0.72 (18.3)
.0068	DPFF8D68J-F	0.50 (12.7)	0.50 (12.7)	1.30 (33.0)	0.72 (18.3)
.0082	DPFF8D82J-F	0.50 (12.7)	0.50 (12.7)	1.30 (33.0)	0.72 (18.3)
.0100	DPFF8S1J-F	0.50 (12.7)	0.50 (12.7)	1.30 (33.0)	0.72 (18.3)
.0100	DPFF8S1JS-F	0.50 (12.7)	0.50 (12.7)	1.30 (33.0)	0.72 (18.3)
.0120	DPFF8S12J-F	0.55 (14.0)	0.55 (14.0)	1.30 (33.0)	0.72 (18.3)
.0120	DPFF8S12JS-F	0.35 (8.9)	0.41 (10.4)	1.25 (31.8)	0.72 (18.3)
.0150	DPFF8S15J-F	0.55 (14.0)	0.55 (14.0)	1.30 (33.0)	0.72 (18.3)
.0150	DPFF8S15JS-F	0.38 (9.7)	0.44 (11.2)	1.25 (31.8)	0.72 (18.3)
.0180	DPFF8S18J-F	0.60 (15.2)	0.60 (15.2)	1.30 (33.0)	0.72 (18.3)
.0220	DPFF8S22J-F	0.60 (15.2)	0.60 (15.2)	1.30 (33.0)	0.72 (18.3)
.0220	DPFF8S22JS-F	0.44 (11.2)	0.50 (12.7)	1.25 (31.8)	0.72 (18.3)
.0270	DPFF8S27J-F	0.70 (17.8)	0.70 (17.8)	1.30 (33.0)	0.72 (18.3)
.0330	DPFF8S33J-F	0.70 (17.8)	0.70 (17.8)	1.30 (33.0)	0.72 (18.3)
.0330	DPFF8S33JS-F	0.51 (13.0)	0.57 (14.5)	1.25 (31.8)	0.72 (18.3)
.0390	DPFF8S39J-F	0.70 (17.8)	0.70 (17.8)	1.70 (43.2)	1.095 (27.8)
.0470	DPFF8S47J-F	0.70 (17.8)	0.70 (17.8)	1.70 (43.2)	1.095 (27.8)
.0560	DPFF8S56J-F	0.80 (20.3)	0.80 (20.3)	1.70 (43.2)	1.095 (27.8)
.0680	DPFF8S68J-F	0.80 (20.3)	0.80 (20.3)	1.70 (43.2)	1.095 (27.8)
.0680	DPFF8S68JS-F	0.58 (14.7)	0.64 (16.3)	1.65 (41.9)	1.095 (27.8)
.0820	DPFF8S82J-F	0.90 (22.9)	0.90 (22.9)	1.70 (43.2)	1.095 (27.8)
.1000	DPFF8P1J-F	0.90 (22.9)	0.90 (22.9)	1.70 (43.2)	1.095 (27.8)
.1000	DPFF8P1JS-F	0.67 (17.0)	0.73 (18.5)	1.65 (41.9)	1.095 (27.8)
1200 Vdc (475 Vac 60 Hz)					
.0027	DPFF12D27J-F	0.50 (12.7)	0.50 (12.7)	1.30 (33.0)	0.72 (18.3)
.0033	DPFF12D33J-F	0.50 (12.7)	0.50 (12.7)	1.30 (33.0)	0.72 (18.3)
.0039	DPFF12D39J-F	0.50 (12.7)	0.50 (12.7)	1.30 (33.0)	0.72 (18.3)
.0047	DPFF12D47J-F	0.50 (12.7)	0.50 (12.7)	1.30 (33.0)	0.72 (18.3)
.0056	DPFF12D56J-F	0.55 (14.0)	0.55 (14.0)	1.30 (33.0)	0.72 (18.3)
.0068	DPFF12D68J-F	0.55 (14.0)	0.55 (14.0)	1.30 (33.0)	0.72 (18.3)
.0082	DPFF12D82J-F	0.60 (15.2)	0.60 (15.2)	1.30 (33.0)	0.72 (18.3)

Cap (μ F)	Catalog Part Number	T Max. Inches (mm)	H Max. Inches (mm)	L Max. Inches (mm)	S ± 0.06 (± 1.5) Inches (mm)
1200 Vdc (475 Vac 60 Hz)					
.0100	DPFF12S1J-F	0.60 (15.2)	0.60 (15.2)	1.30 (33.0)	0.72 (18.3)
.0120	DPFF12S12J-F	0.65 (16.5)	0.65 (16.5)	1.30 (33.0)	0.72 (18.3)
.0150	DPFF12S15J-F	0.65 (16.5)	0.65 (16.5)	1.30 (33.0)	0.72 (18.3)
.0150	DPFF12S15JS-F	0.55 (14.0)	0.61 (15.5)	1.25 (31.8)	0.72 (18.3)
.0180	DPFF12S18J-F	0.65 (16.5)	0.65 (16.5)	1.30 (33.0)	1.095 (27.8)
.0220	DPFF12S22J-F	0.65 (16.5)	0.65 (16.5)	1.30 (33.0)	1.095 (27.8)
.0270	DPFF12S27J-F	0.75 (16.0)	0.75 (16.0)	1.70 (43.2)	1.095 (27.8)
.0330	DPFF12S33J-F	0.75 (16.0)	0.75 (16.0)	1.70 (43.2)	1.095 (27.8)
.0390	DPFF12S39J-F	0.85 (21.6)	0.85 (21.6)	1.70 (43.2)	1.095 (27.8)
.0390	DPFF12S39JS-F	0.68 (17.3)	0.74 (18.8)	1.65 (41.9)	1.095 (27.8)
.0470	DPFF12S47J-F	0.85 (21.6)	0.85 (21.6)	1.70 (43.2)	1.095 (27.8)
1600 Vdc (500 Vac 60 Hz)					
.0010	DPFF16D1JS-F	0.29 (7.4)	0.33 (8.4)	1.25 (31.8)	0.72 (18.3)
.0012	DPFF16D12JS-F	0.30 (7.6)	0.34 (8.6)	1.25 (31.8)	0.72 (18.3)
.0015	DPFF16D15JS-F	0.32 (8.1)	0.36 (9.1)	1.25 (31.8)	0.72 (18.3)
.0018	DPFF16D18J-F	0.50 (12.7)	0.50 (12.7)	1.30 (33.0)	0.72 (18.3)
.0022	DPFF16D22J-F	0.50 (12.7)	0.50 (12.7)	1.30 (33.0)	0.72 (18.3)
.0022	DPFF16D22JS-F	0.35 (8.9)	0.39 (9.9)	1.25 (31.8)	0.72 (18.3)
.0027	DPFF16D27J-F	0.55 (14.0)	0.55 (14.0)	1.30 (33.0)	0.72 (18.3)
.0033	DPFF16D33J-F	0.55 (14.0)	0.55 (14.0)	1.30 (33.0)	0.72 (18.3)
.0033	DPFF16D33JS-F	0.40 (10.2)	0.44 (11.2)	1.25 (31.8)	0.72 (18.3)
.0039	DPFF16D39J-F	0.60 (15.2)	0.60 (15.2)	1.30 (33.0)	0.72 (18.3)
.0047	DPFF16D47J-F	0.60 (15.2)	0.60 (15.2)	1.30 (33.0)	0.72 (18.3)
.0047	DPFF16D47JS-F	0.46 (11.7)	0.50 (12.7)	1.25 (31.8)	0.72 (18.3)
.0056	DPFF16D56J-F	0.65 (16.5)	0.65 (16.5)	1.30 (33.0)	0.72 (18.3)
.0068	DPFF16D68J-F	0.65 (16.5)	0.65 (16.5)	1.30 (33.0)	0.72 (18.3)
.0068	DPFF16D68JS-F	0.52 (13.2)	0.56 (14.2)	1.25 (31.8)	0.72 (18.3)
.0082	DPFF16D82J-F	0.70 (17.8)	0.70 (17.8)	1.30 (33.0)	0.72 (18.3)
.0100	DPFF16S1J-F	0.70 (17.8)	0.70 (17.8)	1.30 (33.0)	0.72 (18.3)
.0100	DPFF16S1JS-F	0.61 (15.5)	0.65 (16.5)	1.25 (31.8)	0.72 (18.3)
.0120	DPFF16S12J-F	0.75 (19.1)	0.75 (19.1)	1.70 (43.2)	1.095 (27.8)
.0150	DPFF16S15J-F	0.75 (19.1)	0.75 (19.1)	1.70 (43.2)	1.095 (27.8)
.0150	DPFF16S15JS-F	0.59 (15.0)	0.63 (16.0)	1.65 (41.9)	1.095 (27.8)
.0180	DPFF16S18J-F	0.85 (21.6)	0.85 (21.6)	1.70 (43.2)	1.095 (27.8)
.0220	DPFF16S22J-F	0.85 (21.6)	0.85 (21.6)	1.70 (43.2)	1.095 (27.8)
.0270	DPFF16S27J-F	0.95 (24.1)	0.95 (24.1)	1.70 (43.2)	1.095 (27.8)
0.033	DPFF16S33J-F	0.95 (24.1)	0.95 (24.1)	1.70 (43.2)	1.095 (27.8)
0.033	DPFF16S33JS-F	0.81 (20.6)	0.85 (21.6)	1.65 (41.9)	1.095 (27.8)

Type DPFF High AC Current Polypropylene Film Capacitors

Notice and Disclaimer: All product drawings, descriptions, specifications, statements, information and data (collectively, the "Information") in this datasheet or other publication are subject to change. The customer is responsible for checking, confirming and verifying the extent to which the Information contained in this datasheet or other publication is applicable to an order at the time the order is placed. All Information given herein is believed to be accurate and reliable, but it is presented without any guarantee, warranty, representation or responsibility of any kind, expressed or implied. Statements of suitability for certain applications are based on the knowledge that the Cornell Dubilier company providing such statements ("Cornell Dubilier") has of operating conditions that such Cornell Dubilier company regards as typical for such applications, but are not intended to constitute any guarantee, warranty or representation regarding any such matter – and Cornell Dubilier specifically and expressly disclaims any guarantee, warranty or representation concerning the suitability for a specific customer application, use, storage, transportation, or operating environment. The Information is intended for use only by customers who have the requisite experience and capability to determine the correct products for their application. Any technical advice inferred from this Information or otherwise provided by Cornell Dubilier with reference to the use of any Cornell Dubilier products is given gratis (unless otherwise specified by Cornell Dubilier), and Cornell Dubilier assumes no obligation or liability for the advice given or results obtained. Although Cornell Dubilier strives to apply the most stringent quality and safety standards regarding the design and manufacturing of its products, in light of the current state of the art, isolated component failures may still occur. Accordingly, customer applications which require a high degree of reliability or safety should employ suitable designs or other safeguards (such as installation of protective circuitry or redundancies or other appropriate protective measures) in order to ensure that the failure of an electrical component does not result in a risk of personal injury or property damage. Although all product-related warnings, cautions and notes must be observed, the customer should not assume that all safety measures are indicated in such warnings, cautions and notes, or that other safety measures may not be required.