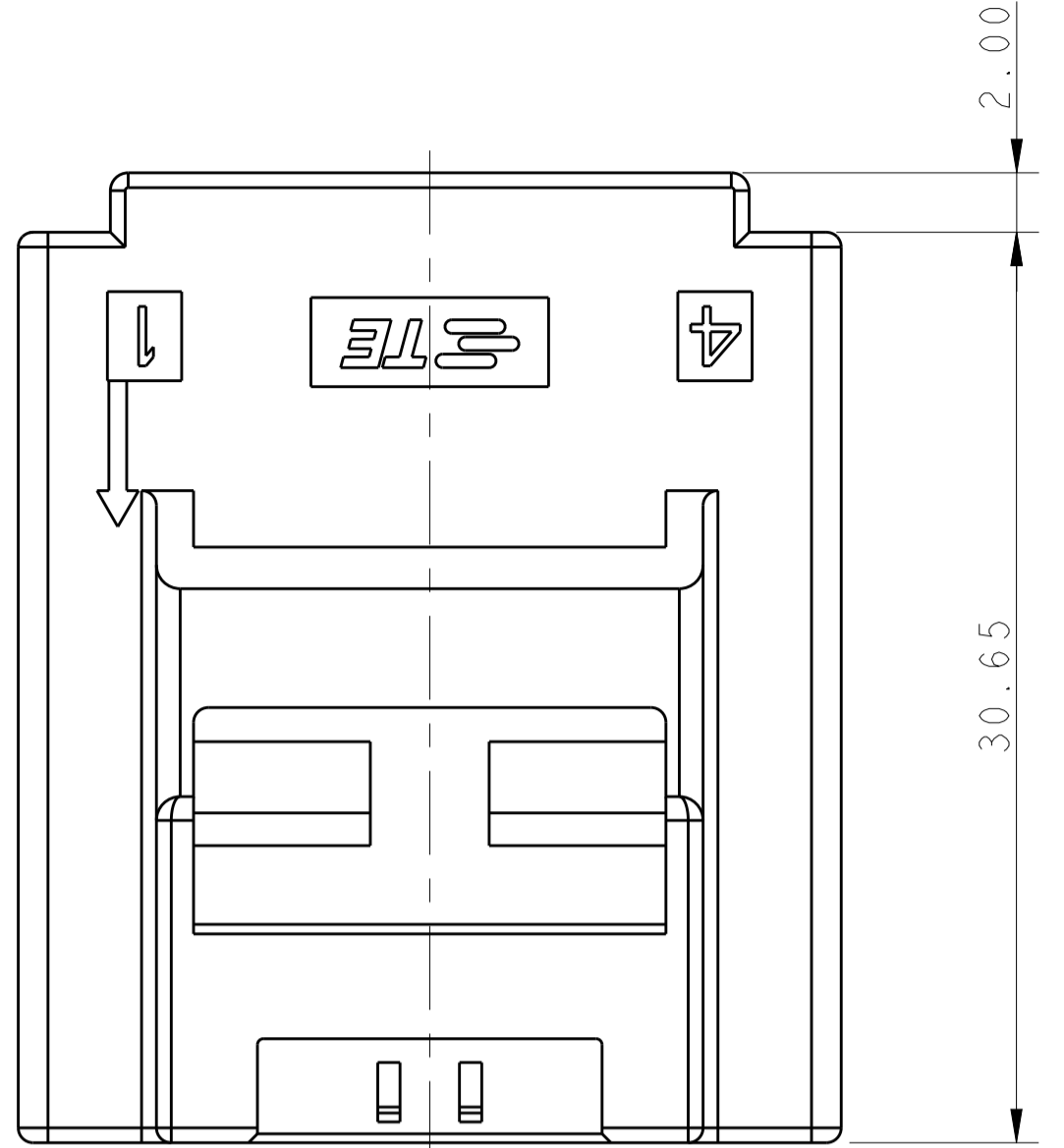
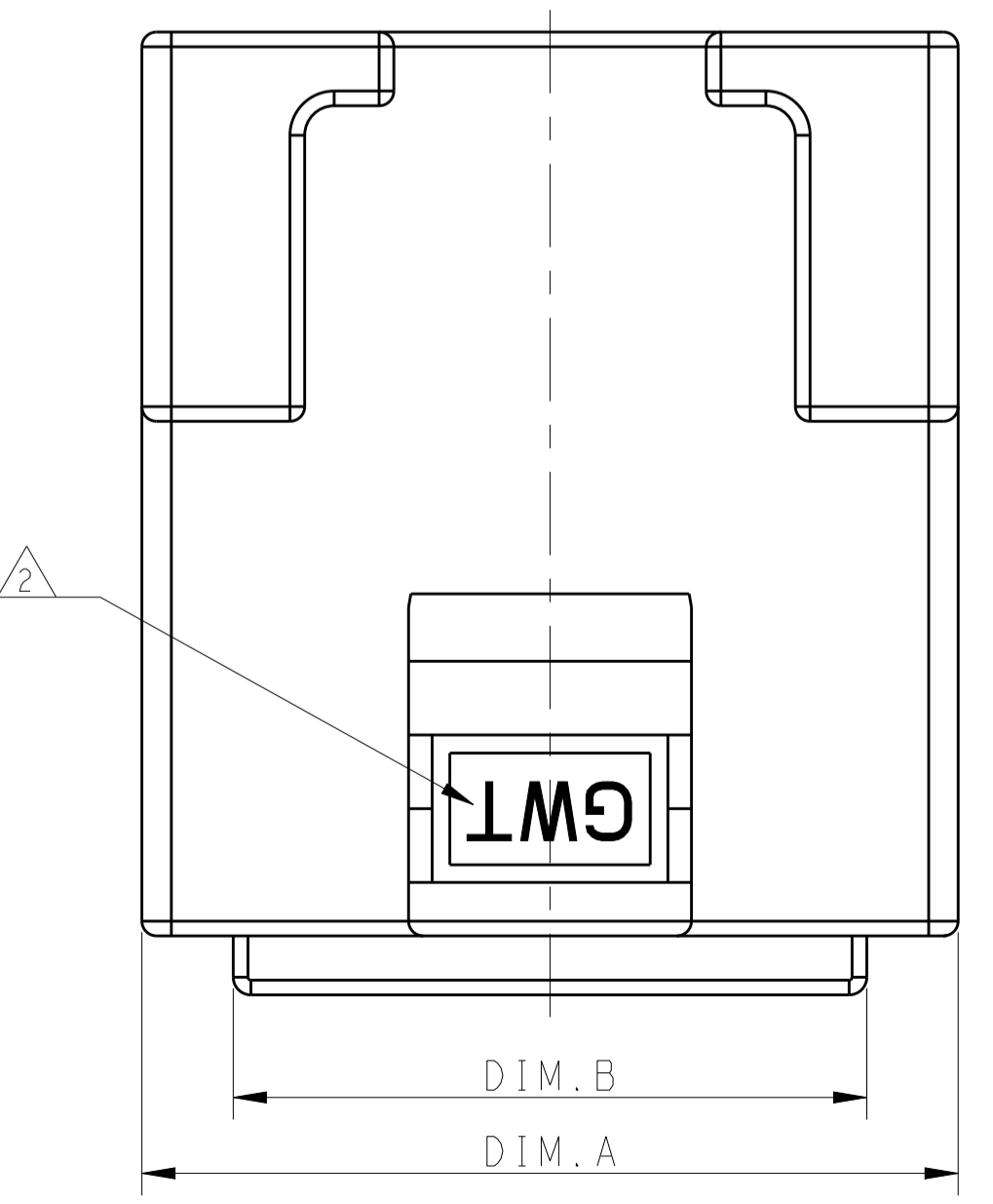
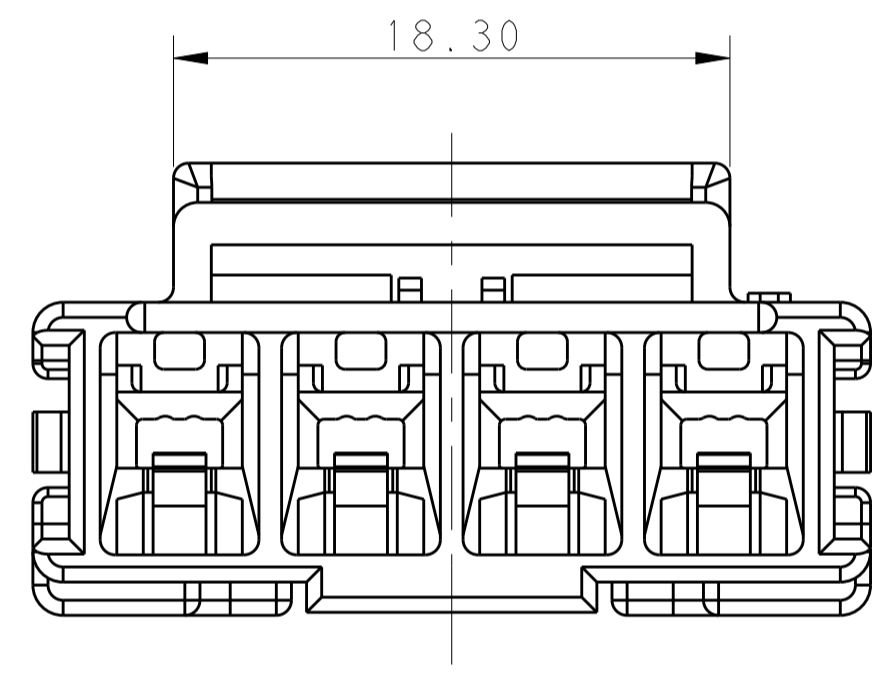
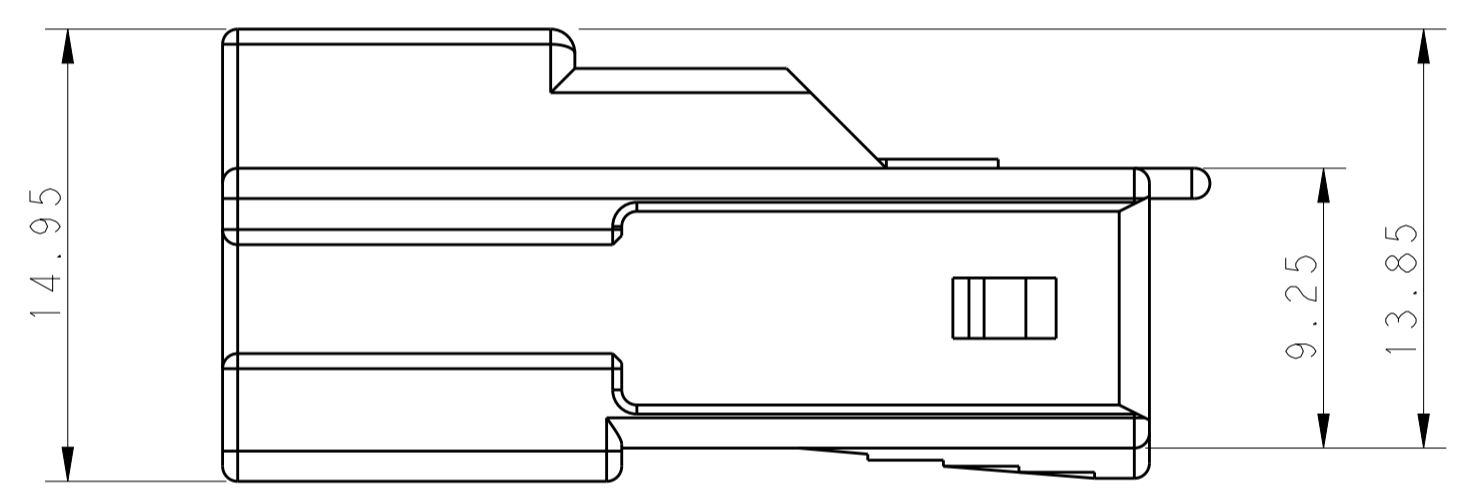
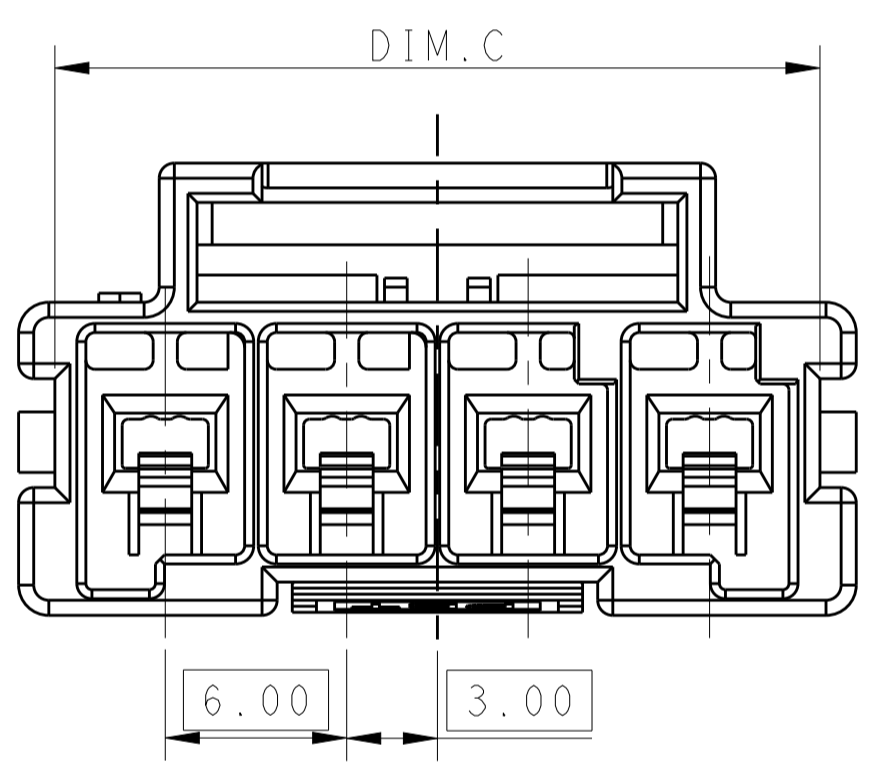


LOC		DIST		REVISIONS			
P	LTN	DESCRIPTION	DATE	DWN	APVD		
B		REVISED PER ECR-16-003314	18JUL2016	BW	GJ		
-	-	-	-	-	-		



POS.	DIM.A	DIM.B	DIM.C
1*5	33.70	27.50	31.30
1*4	27.70	21.50	25.30
1*3	21.70	15.50	19.30
1*2	15.70	9.50	13.30

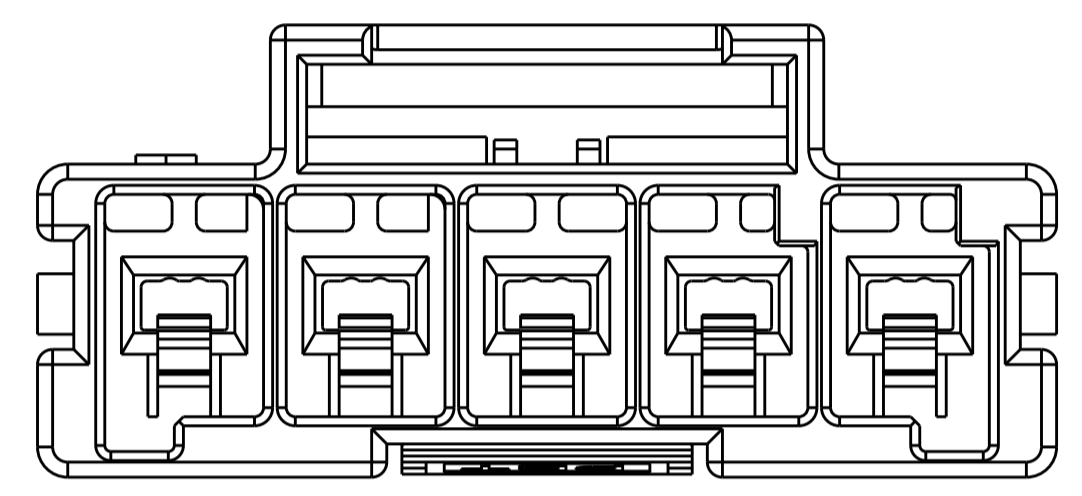
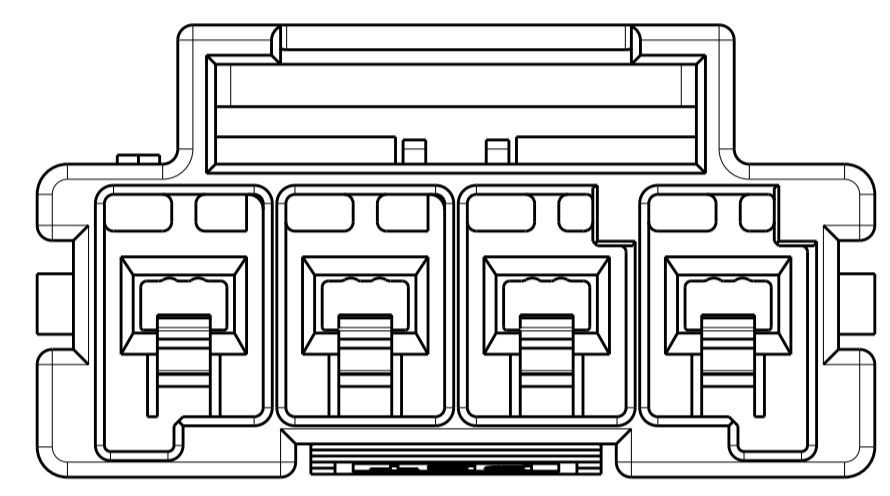
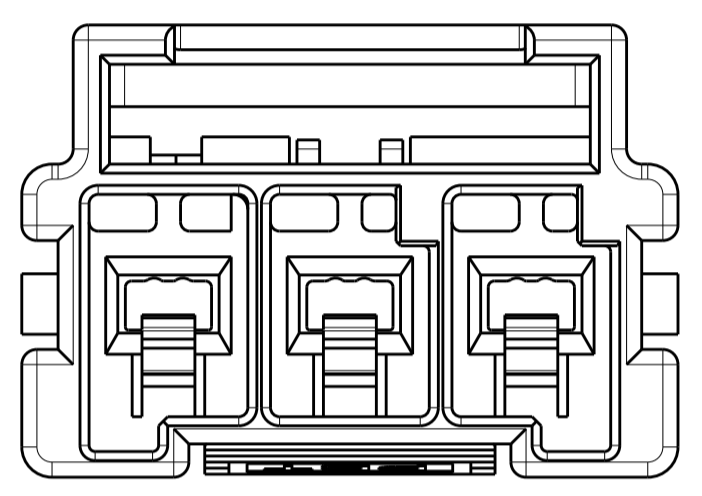
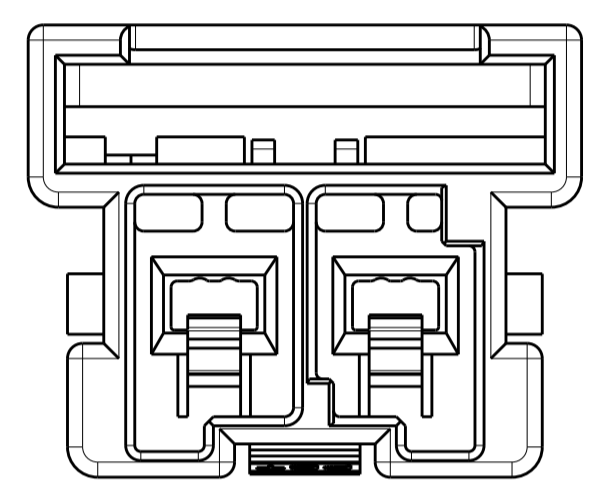
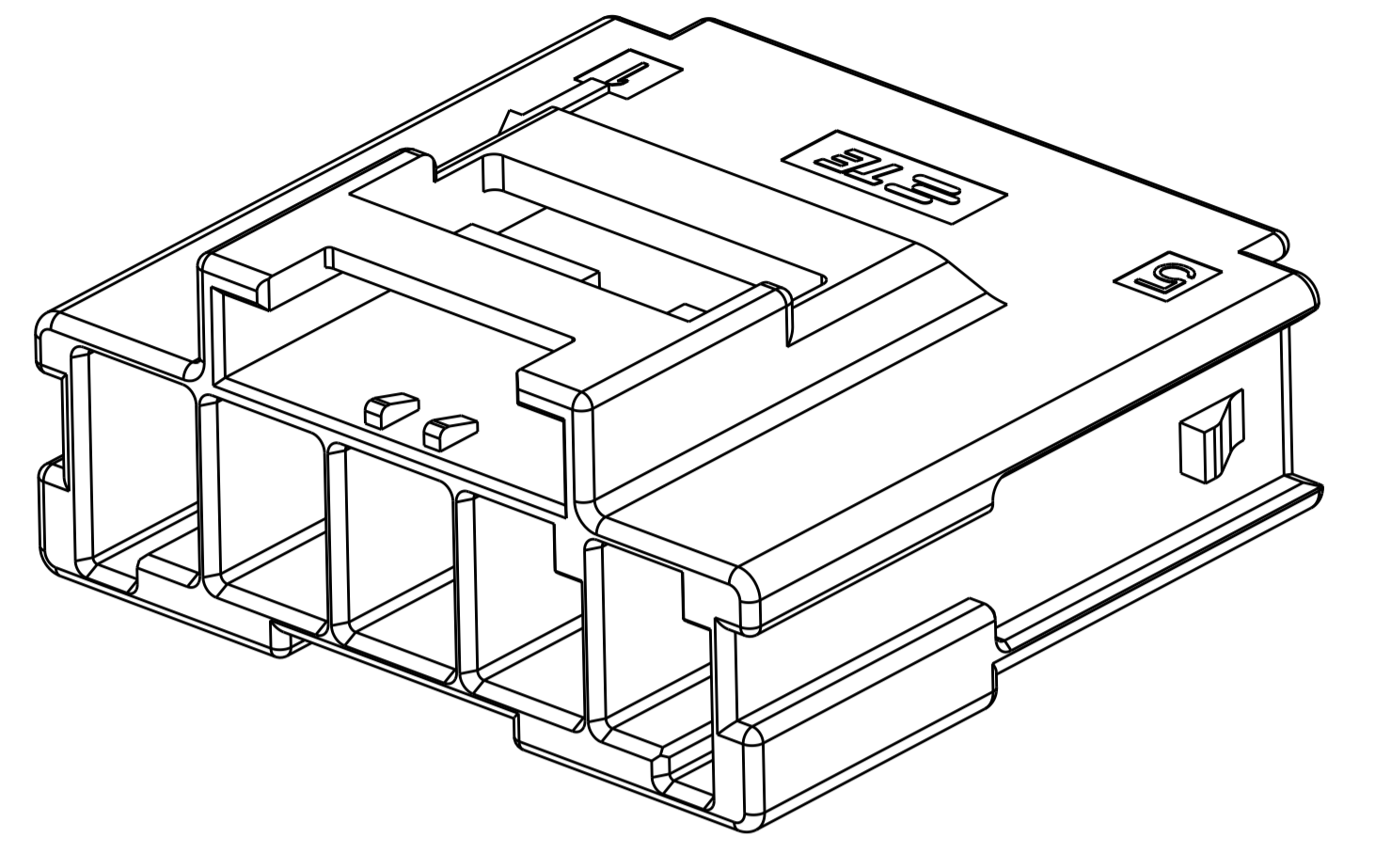
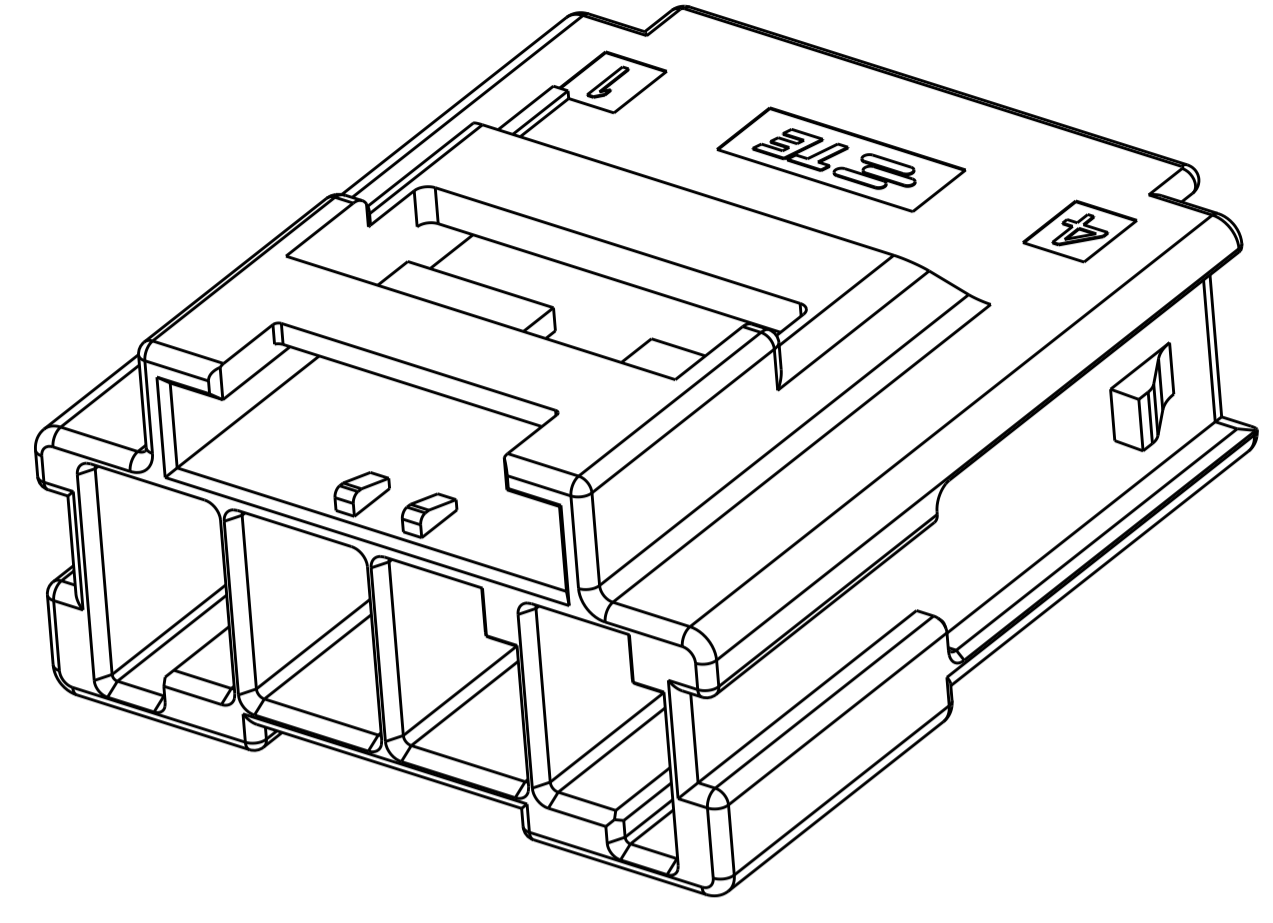
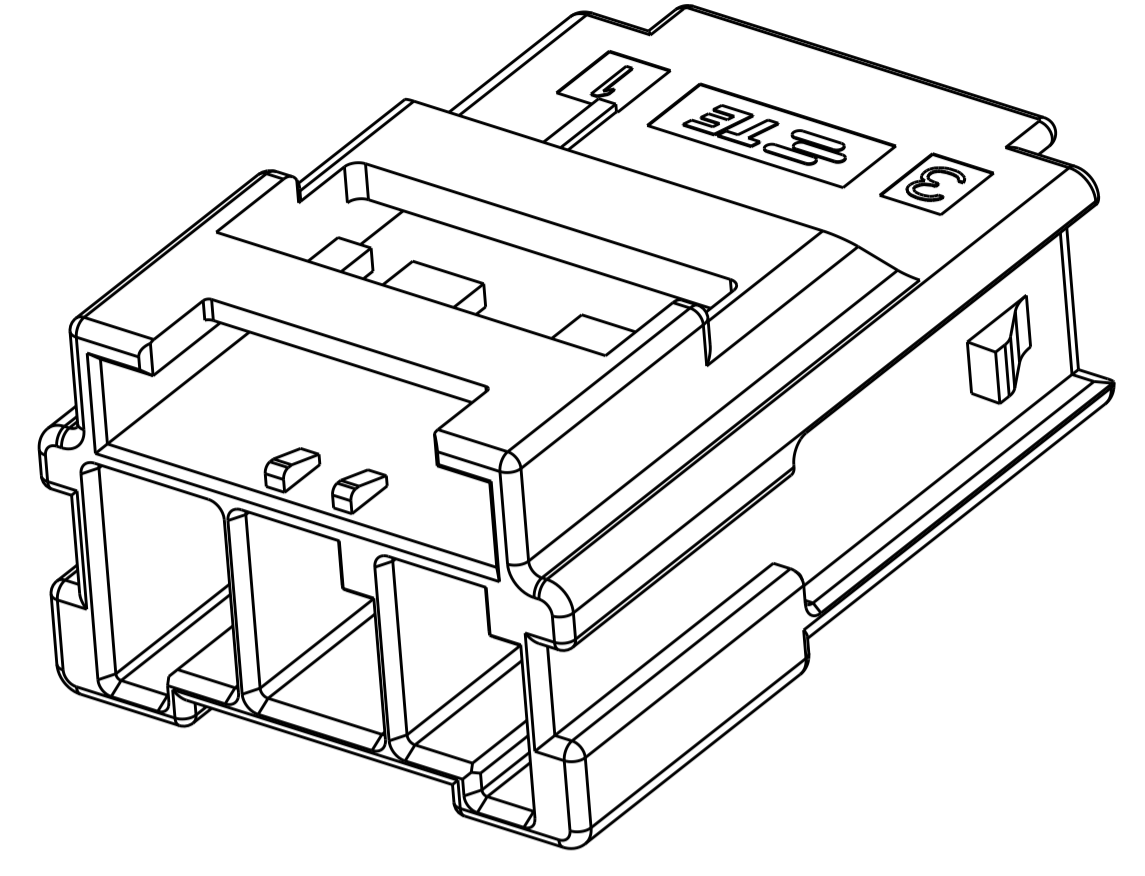
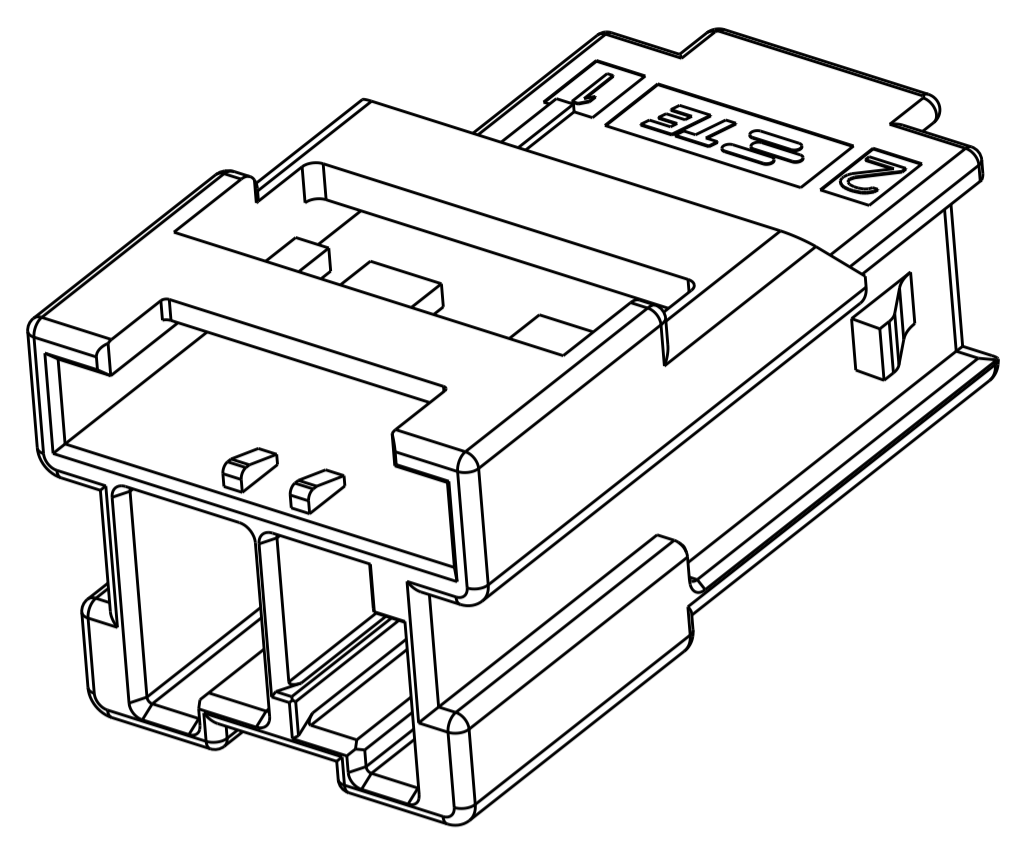


- MATERIAL:  
 LEVEL A: PA6 GLASS FILLED, COMPLY WITH GLOW WIRE REQUIREMENTS FOR PARTS OF NON-METALLIC MATERIAL SUPPORTING A CURRENT-CARRYING CONNECTION DETAILED IN IEC 60335-1, SECTION 30 (GWT), UL 94V-0  
 LEVEL B: PBT GLASS FILLED, HOT WIRE IGNITION (HWI) VERSION ARE MOLDED IN A RESIN THAT COMPLIES WITH TE HOT WIRE IGNITION TEST 109-32026 AND ARE RECOMMENDED FOR USE WITH HWI HOUSINGS THAT ALSO COMPLY, UL 94V-0
- MATERIAL MARK:  
 LEVEL A: GWT, LEVEL B: HWT
- APPLICABLE CONTACT P/N  
 TAB CONTACT: 1971238/1971780/82/84/86/88-\*, 2238067-\*
- MATING CONN, P/N  
 PLUG HSG: \*-2232265-\*,  
 TPA (LOCK PLATE): \*-1971777-\*

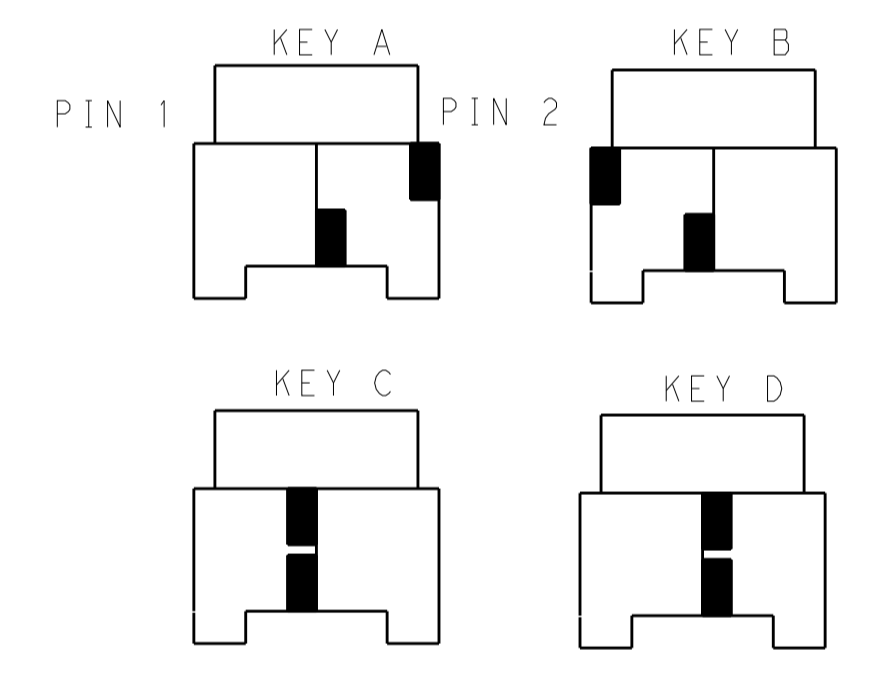
5. This product has not completed validation testing.

THIS DRAWING IS A CONTROLLED DOCUMENT.		DWN: TOMMY WU 26MAR2013	TE Connectivity
DIMENSIONS:		CHK: HAPYE WU 26MAR2013	
mm	TOLERANCES UNLESS OTHERWISE SPECIFIED:	APVD: YUHONG MAO 26MAR2013	NAME: CAP HOUSING, FREE HANGING, SINGLE ROW POWER TRIPLE LOCK
0 PLC	±	PRODUCT SPEC	SIZE: CAGE CODE DRAWING NO
2 PLC	±0.35	108-106118	RESTRICTED TO
3 PLC	±0.25	APPLICATION SPEC	A100779C=2232358
4 PLC	±	114-106118	SCALE: SHEET 1 OF 2 REV B
ANGLES	±	WEIGHT	
MATERIAL	FINISH	Customer Drawing	

LOC		DIST		REVISIONS			
				REV	DESCRIPTION	DATE	APVD
-	-	-	-	-	SEE SHEET 1	-	-

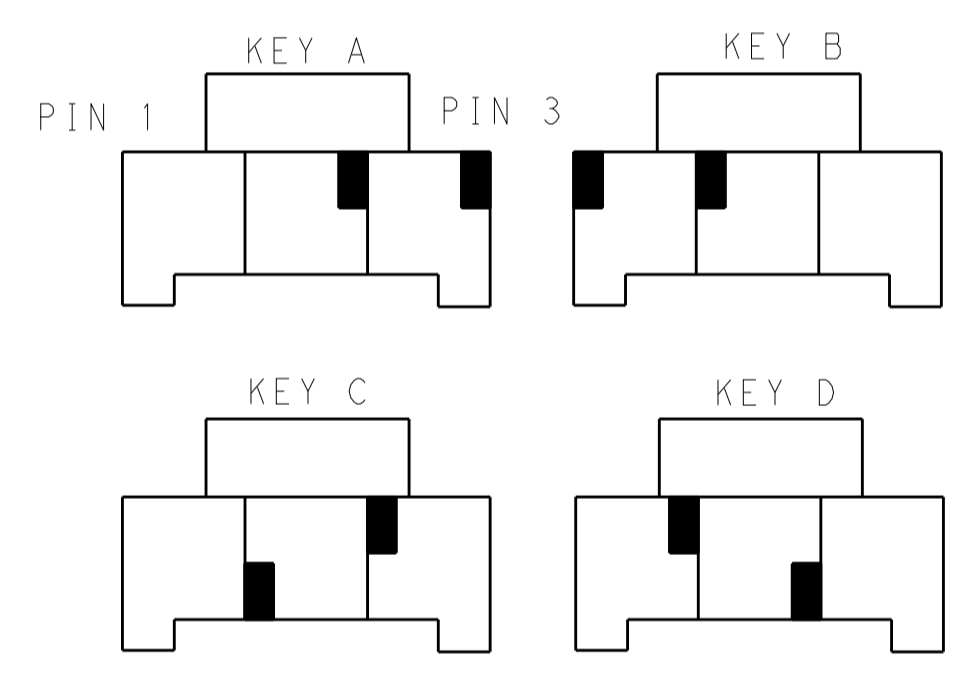


1\*2 POSITIONS



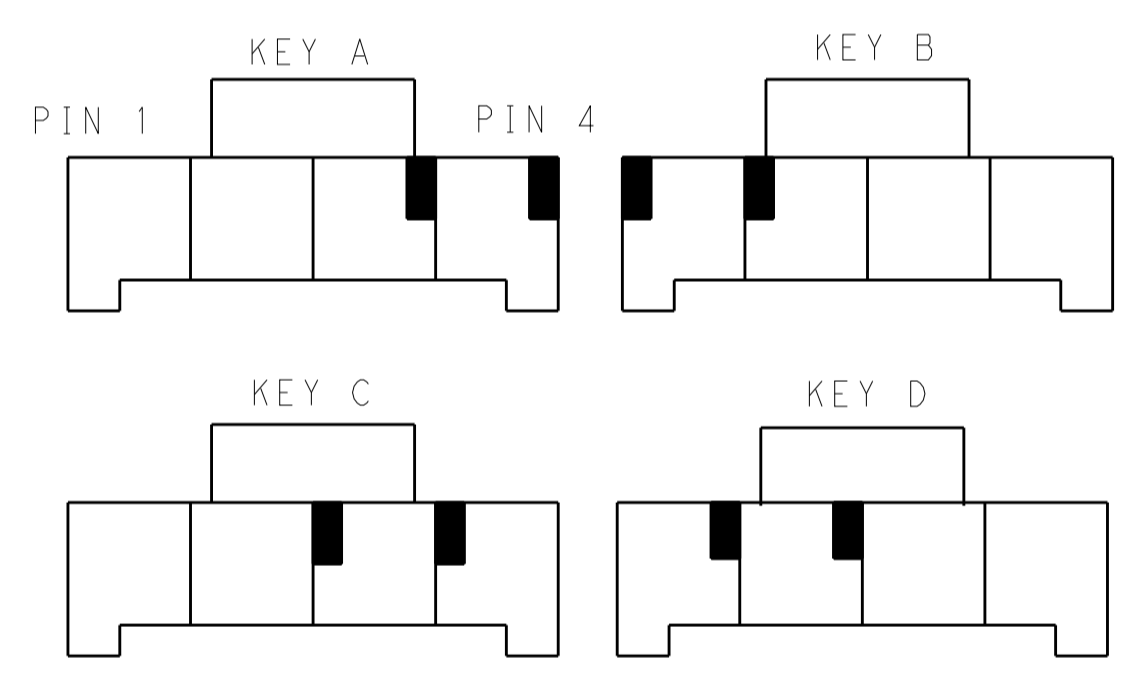
KEYING FOR 1\*2 POS.

1\*3 POSITIONS



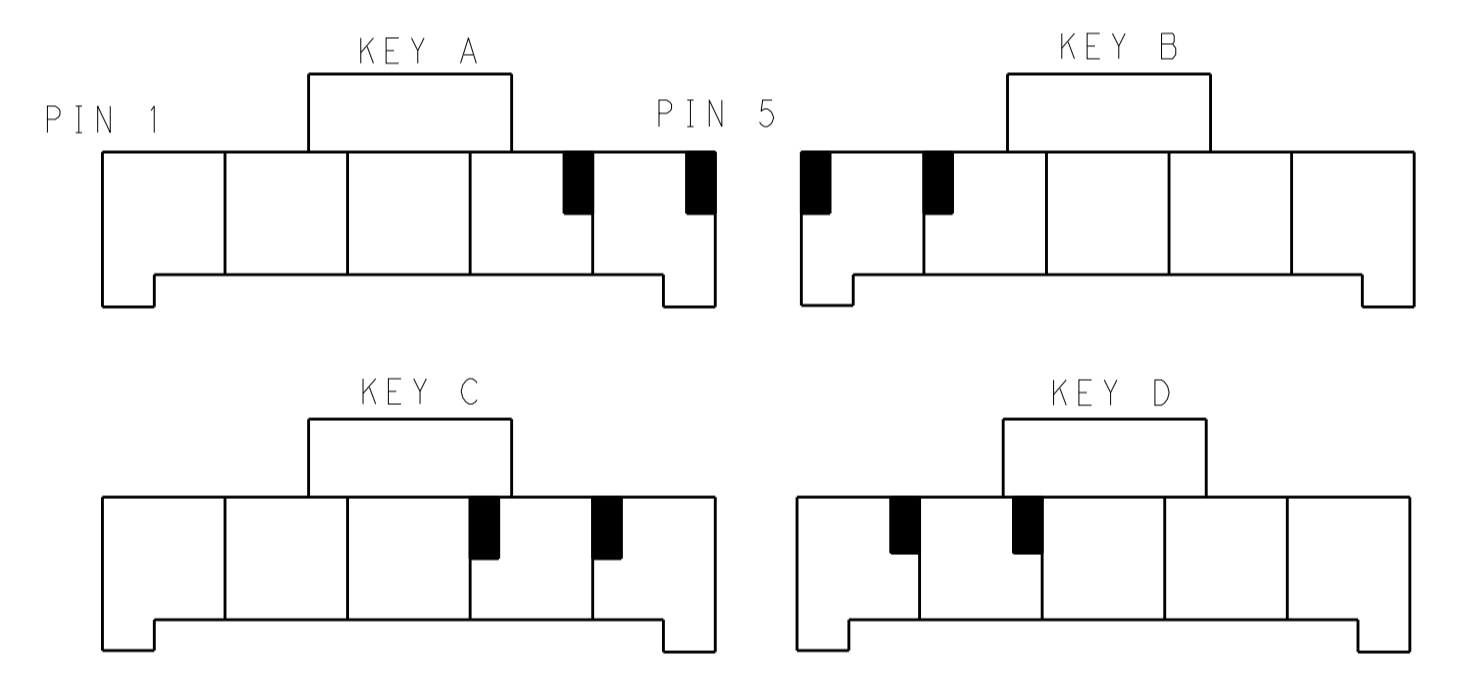
KEYING FOR 1\*3 POS.

1\*4 POSITIONS



KEYING FOR 1\*4 POS.

1\*5 POSITIONS



KEYING FOR 1\*5 POS.

POS.	MATERIAL	COLOR	KEY	P/N
1*5	LEVEL A	DARK GREY	KEY A	5-2232358-7
		BROWN	KEY B	6-2232358-7
		GREEN	KEY C	7-2232358-7
		ORANGE	KEY D	8-2232358-7
1*4	LEVEL A	DARK GREY	KEY A	5-2232358-4
		BROWN	KEY B	6-2232358-4
		GREEN	KEY C	7-2232358-4
		ORANGE	KEY D	8-2232358-4
1*4	LEVEL B	BLACK	KEY A	1-2232358-3
1*3	LEVEL A	DARK GREY	KEY A	5-2232358-3
		BROWN	KEY B	6-2232358-3
		GREEN	KEY C	7-2232358-3
		ORANGE	KEY D	8-2232358-3
1*2	LEVEL A	DARK GREY	KEY A	5-2232358-2
		BROWN	KEY B	6-2232358-2
		GREEN	KEY C	7-2232358-2
		ORANGE	KEY D	8-2232358-2

THIS DRAWING IS A CONTROLLED DOCUMENT.

DIMENSIONS:	TOLERANCES UNLESS OTHERWISE SPECIFIED:	DWN TOMMY.WU 26MAR2013	CHK HAPYE.WU 26MAR2013	APVD YIHONG.MAO 26MAR2013
mm	0 PLC ±0.35 1 PLC ±0.25 2 PLC ±0.25 3 PLC ±0.25 4 PLC ±0.25 ANGLES ±0.1	NAME CAP HOUSING, FREE HANGING, SINGLE ROW POWER TRIPLE LOCK	PRODUCT SPEC 108-106118	APPLICATION SPEC 114-106118
MATERIAL	FINISH	SIZE A1	CAGE CODE 00779	DRAWING NO. C=2232358
		Customer Drawing	SCALE	SHEET 2 OF 2 REV B

4805 (3/11)

# Mouser Electronics

Authorized Distributor

Click to View Pricing, Inventory, Delivery & Lifecycle Information:

[TE Connectivity:](#)

[5-2232358-2](#)