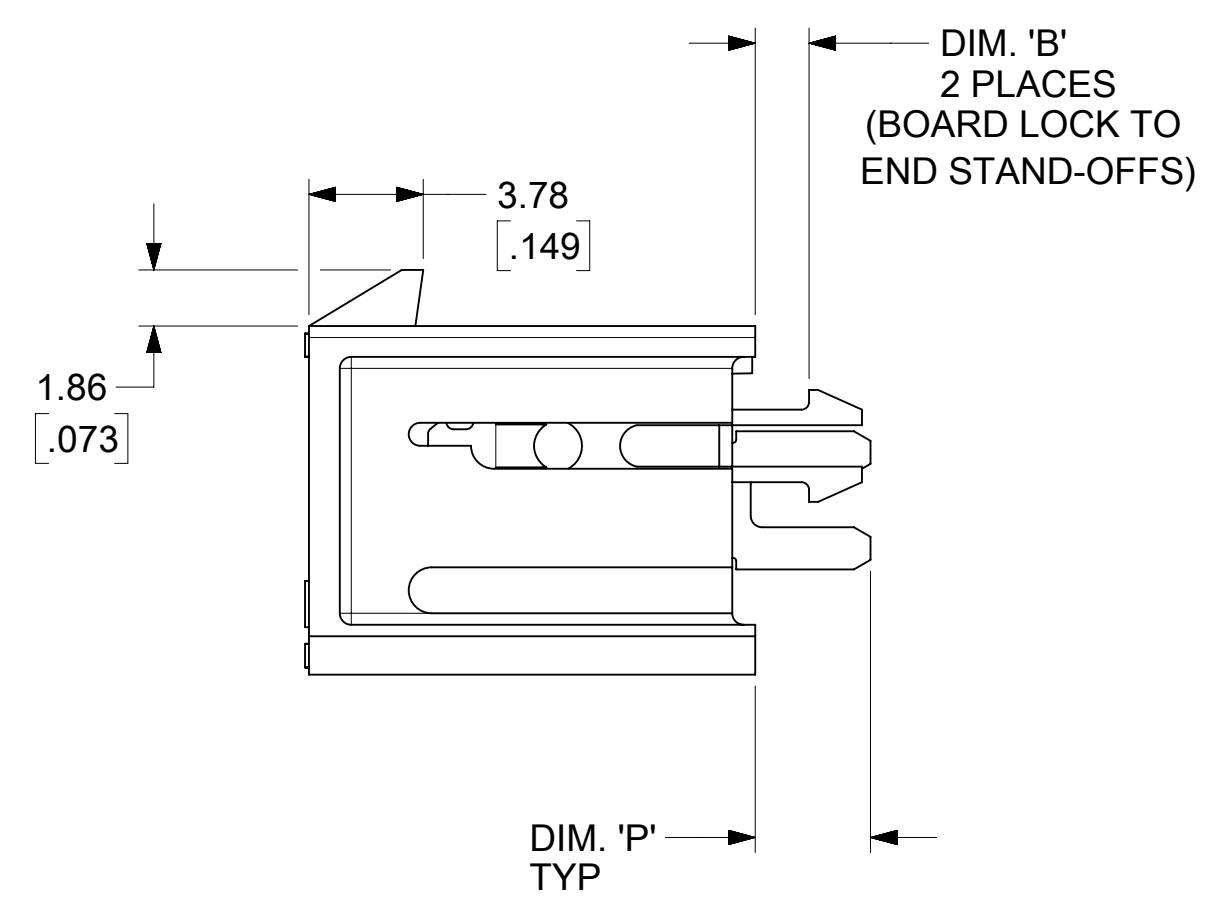
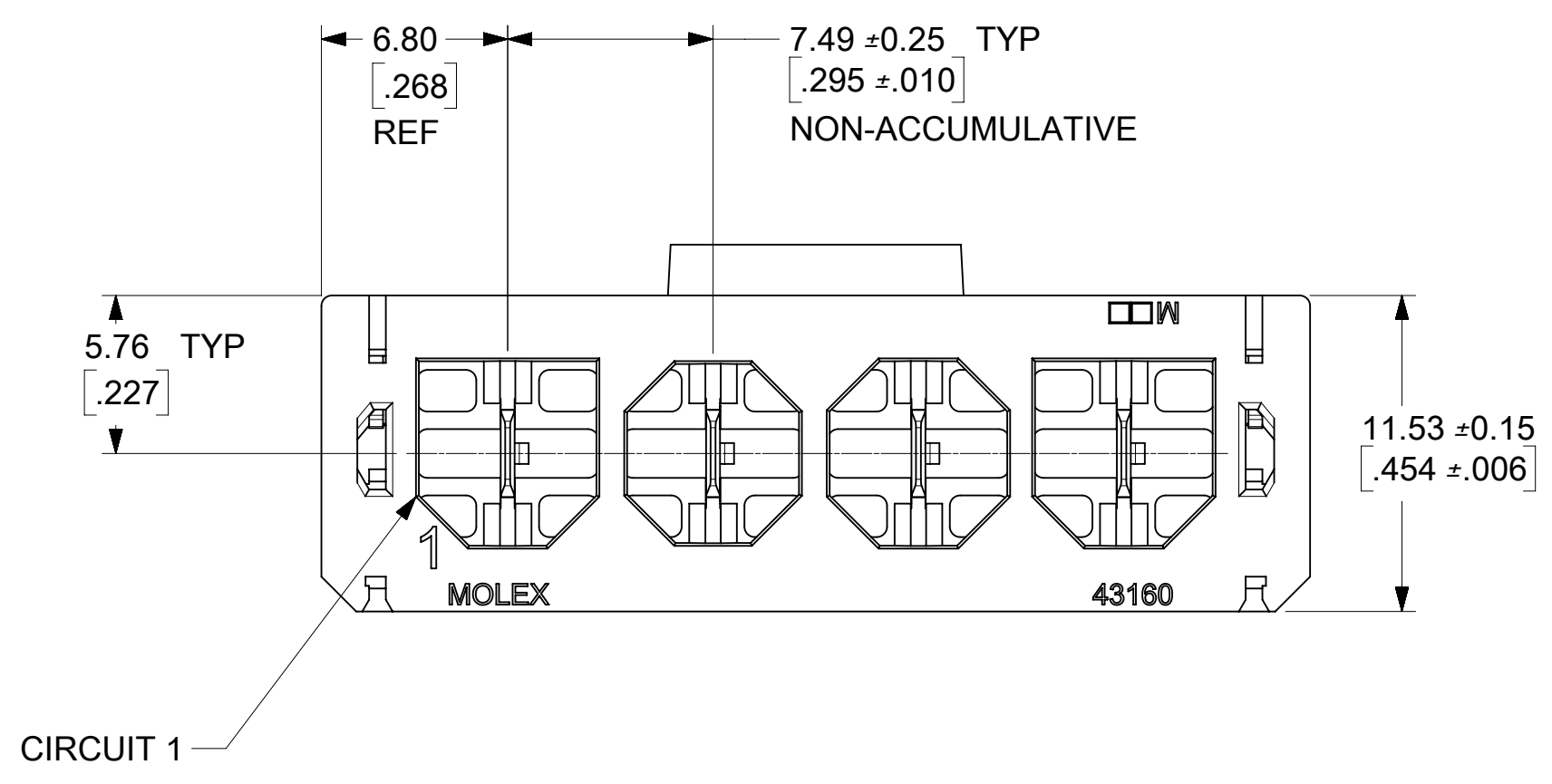
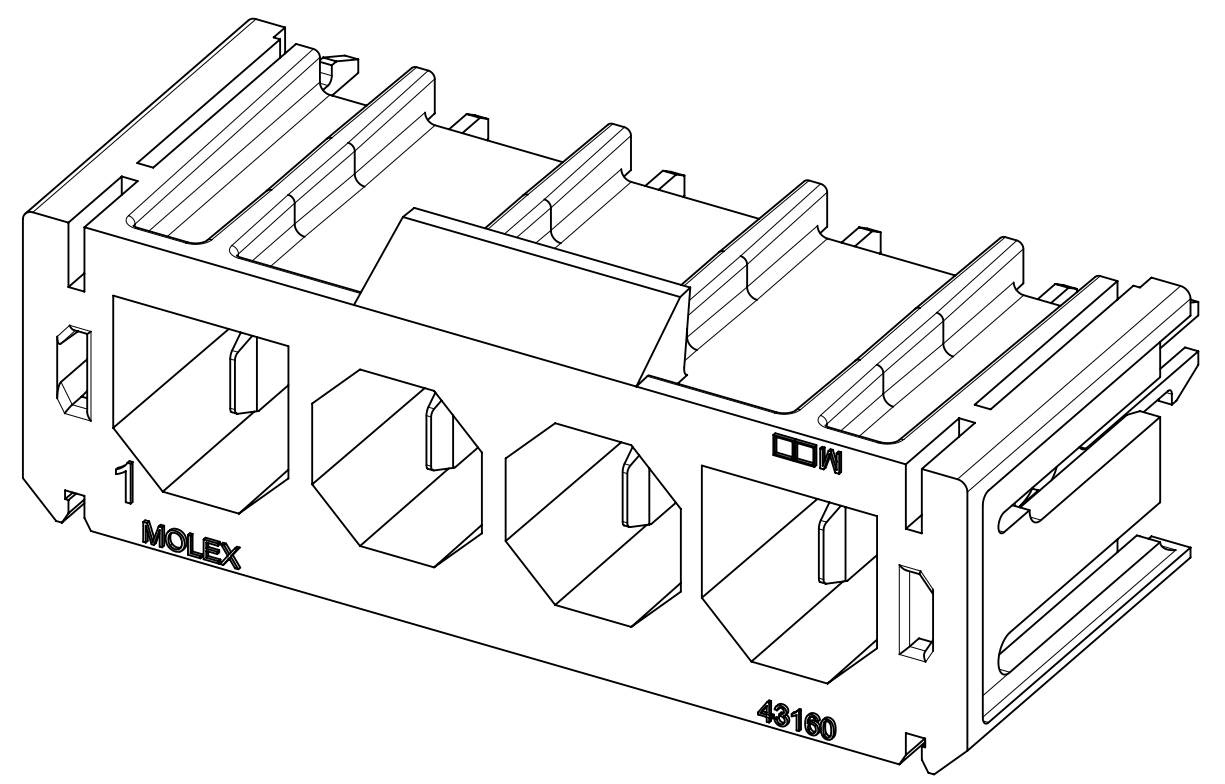
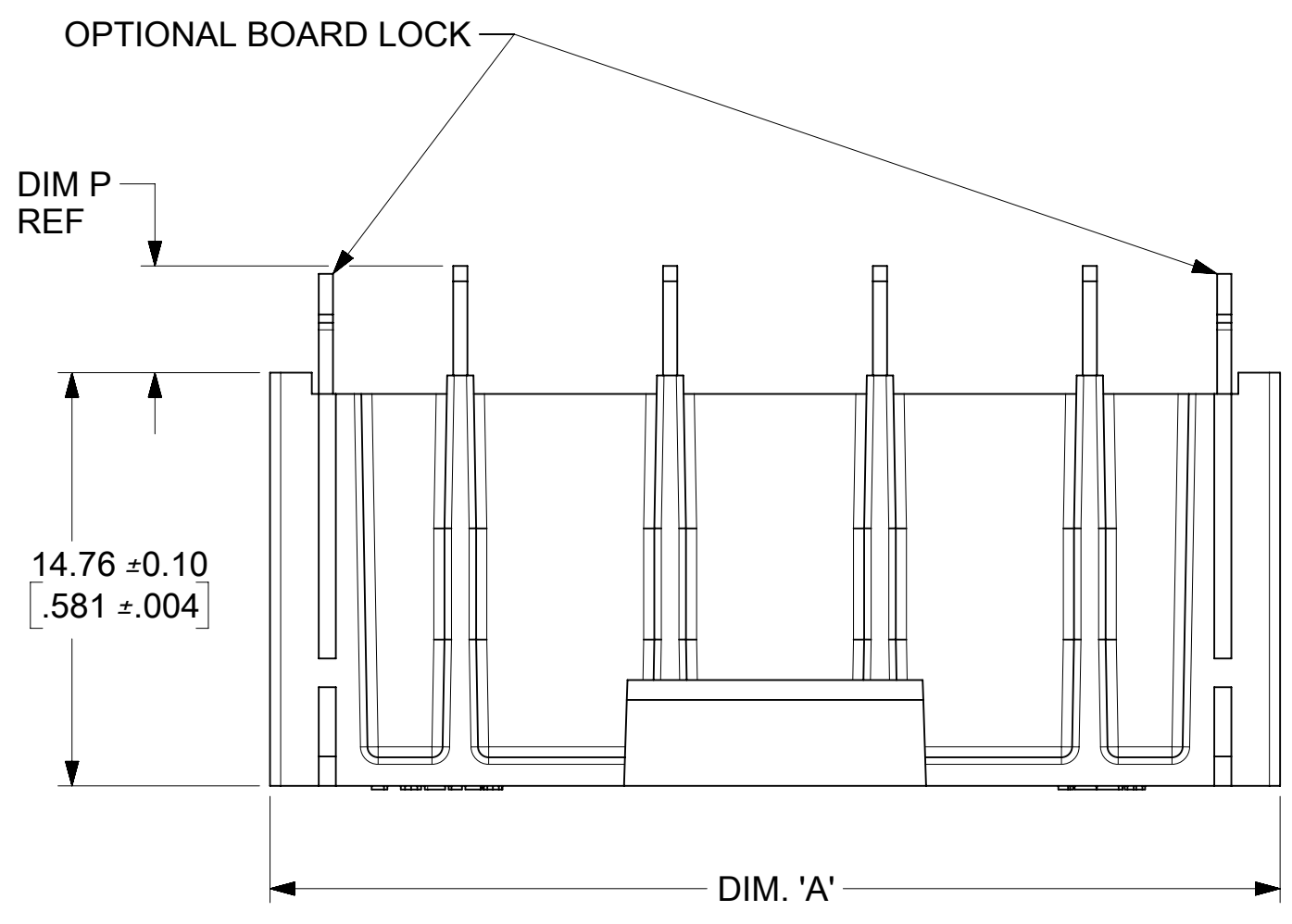


CIRCUITS	DIM. 'A' ±	0.33 .013
2	21.08	.830
3	28.58	1.125
4	36.07	1.420
5	43.56	1.715
6	51.05	2.010
8	66.04	2.600



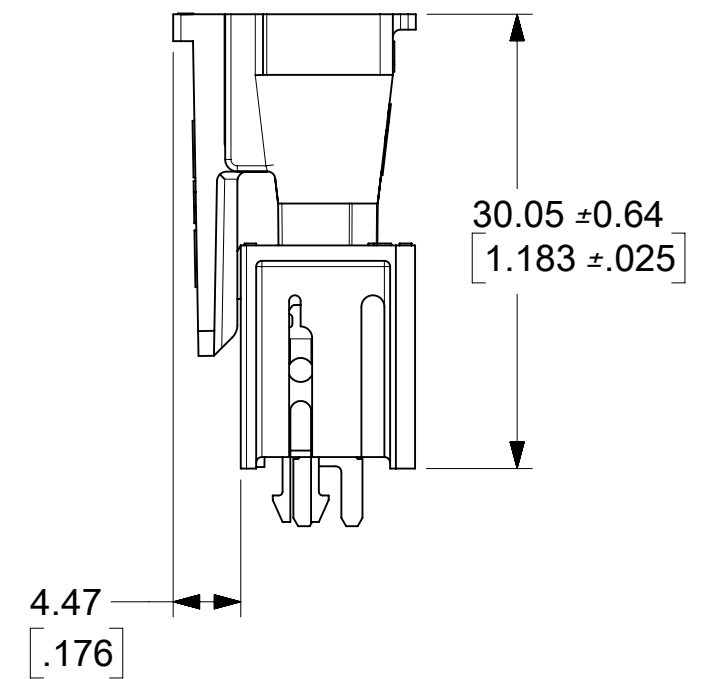
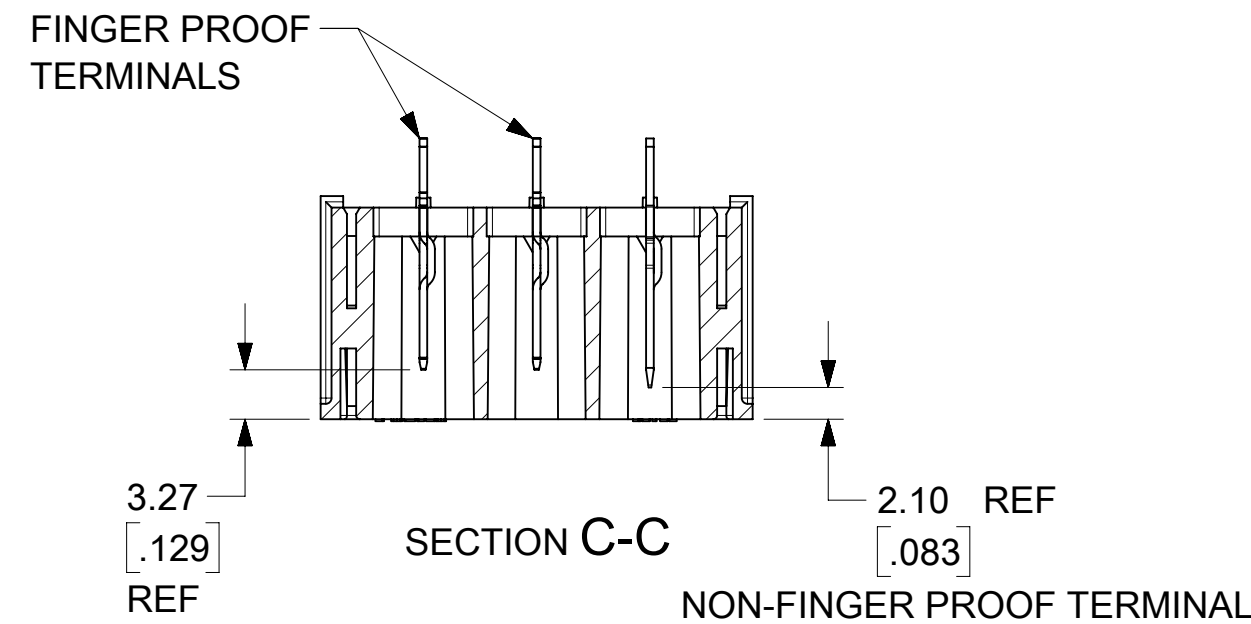
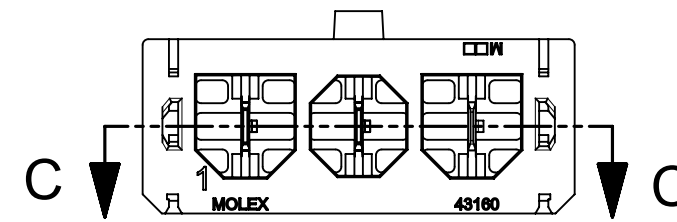
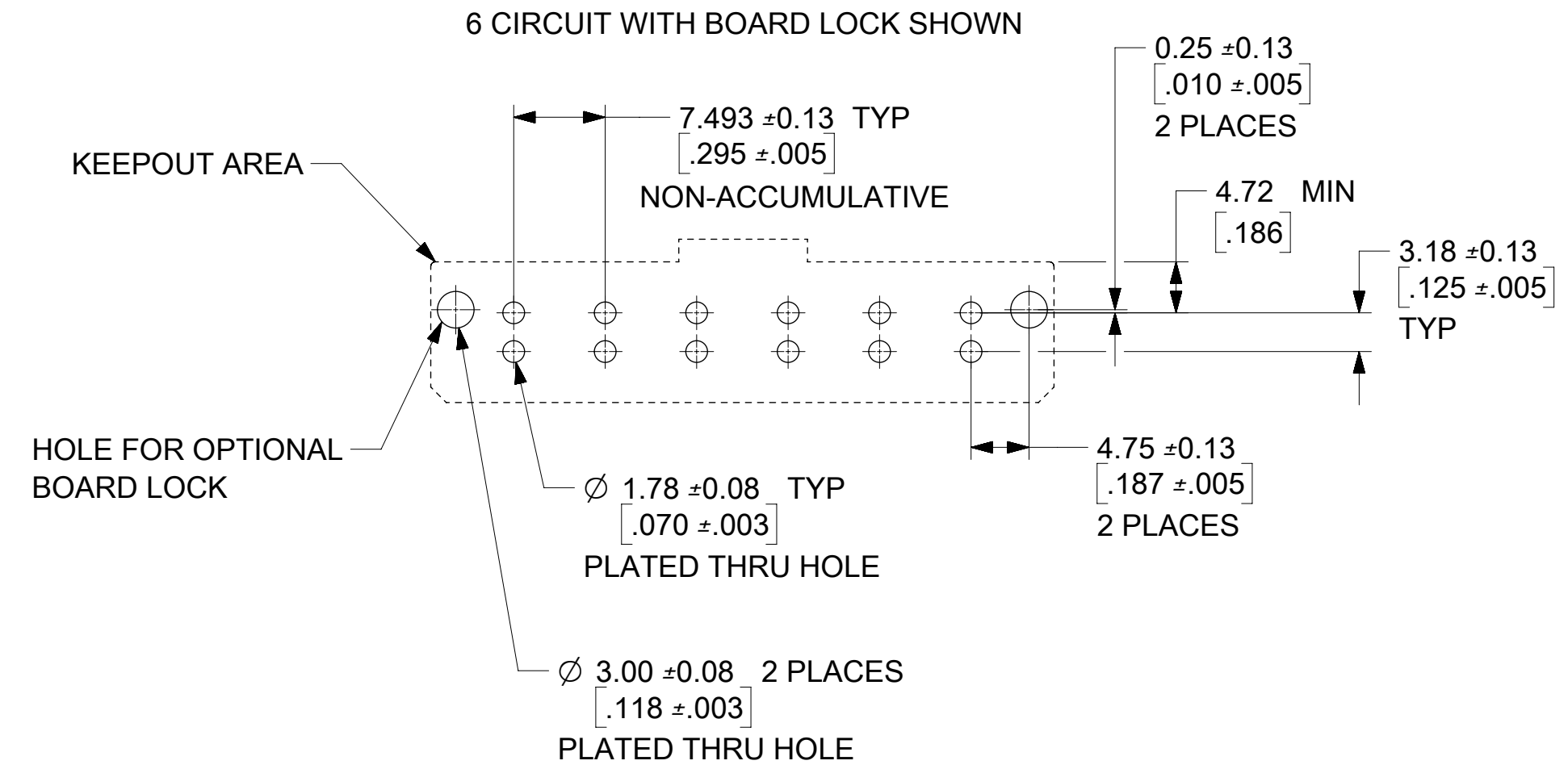
SHEETS 1 AND 2: VERTICAL HEADERS
 SHEETS 3 AND 4: RIGHT ANGLE HEADERS
 SHEET 5: POLARIZATION

- INSULATOR MATERIAL: 30% GLASS FILLED 4/6 NYLON UL94V-0, COLOR: BLACK
TERMINAL MATERIAL : BRASS
- TERMINAL FINISH: OVERALL REFLOWED MATTE TIN: 0.00152/.000060 MIN OVER 0.00127/.000050 MIN NICKEL.
- PRODUCT SPECIFICATION PS-44441-9999.
- PACKAGING: SEE CHART
- THIS HEADER MATES WITH 44441 OR 43335 SERIES RECEPTACLE HOUSINGS.
- THIS PART CONFORMS TO CLASS B REQUIREMENTS OF MOLEX COSMETIC SPECIFICATION PS-45499-002
- TEXT ON PART IS FOR REFERENCE ONLY. TEXT AND TEXT LOCATION MAY VARY DEPENDING ON PART NUMBER AND/OR TOOL.
- PART DESIGNED IN INCHES.

SYMBOLS DIMENSION UNITS SCALE CURRENT REV DESC: RELEASED EC NO: 623888 DRWN: MKIPPER 2019/09/06 CHK'D: DSTEIER 2019/09/13 APPR: FSMITH 2019/09/17 INITIAL REVISION: DRWN: MKIPPER 2019/09/06 APPR: FSMITH 2019/09/17 THIRD ANGLE PROJECTION DRAWING SERIES C-SIZE 43160	THIS DRAWING CONTAINS INFORMATION THAT IS PROPRIETARY TO MOLEX ELECTRONIC TECHNOLOGIES, LLC AND SHOULD NOT BE USED WITHOUT WRITTEN PERMISSION					
	DIMENSION UNITS IN/MM					SCALE 4:1
	GENERAL TOLERANCES (UNLESS SPECIFIED) 4 PLACES ± ± 3 PLACES ± ± 0.005 2 PLACES ± 0.13 ± 0.01 1 PLACE ± 0.25 ± 0 PLACES ± ±		MATERIAL NUMBER 431600001-SD		CUSTOMER GENERAL MARKET	
	DRAFT WHERE APPLICABLE MUST REMAIN WITHIN DIMENSIONS		ANGULAR TOL ± 0.5 °		SHEET NUMBER 1 OF 5	

VERTICAL HEADER ASSEMBLIES					
ASSEMBLY PART NO.	CIRCUITS	DIM. 'P' ± $\frac{0.51}{.020}$	BOARD LOCK	DIM. 'B' ± $\frac{0.10}{.004}$	PACKAGING SPEC.
43160-0102	2	3.81/(.150) (SHORT TAIL)	NO	N/A	PK-43160-0010
43160-0103	3				
43160-0104	4				
43160-0105	5				
43160-0106	6				
43160-0108	8				
43160-0302	2	5.33/(.210) (LONG TAIL)	NO	N/A	PK-43789-001
43160-0303	3				
43160-0304	4				
43160-0305	5				
43160-0306	6				
43160-0308	8				
43160-2102	2	3.81/(.150) (SHORT TAIL)	YES	1.78/(.070) FOR 1.57/(.062) PCB	PK-43789-001
43160-2103	3				
43160-2104	4				
43160-2105	5				
43160-2106	6				
43160-2108	8				
43160-4102	2	3.81/(.150) (SHORT TAIL)	YES	2.59/(.102) FOR 2.39/(.094) PCB	PK-43789-001
43160-4103	3				
43160-4104	4				
43160-4105	5				
43160-4106	6				
43160-4108	8				
43160-4302	2	5.33/(.210) (LONG TAIL)	YES	2.59/(.102) FOR 2.39/(.094) PCB	PK-43789-001
43160-4303	3				
43160-4304	4				
43160-4305	5				
43160-4306	6				
43160-4308	8				
43160-6302	2	5.33/(.210) (LONG TAIL)	YES	3.38/(.133) FOR 3.18/(.125) PCB	PK-43789-001
43160-6303	3				
43160-6304	4				
43160-6305	5				
43160-6306	6				
43160-6308	8				
ASSEMBLY PART NO.	CIRCUITS	DIM. 'P'	BOARD LOCK	DIM. 'B'	PACKAGING SPEC.

RECOMMENDED P.C. BOARD LAYOUT FOR VERTICAL HEADERS



HEADER WITH OPTIONAL FINGER PROOF TERMINAL
43160-9002 SHOWN

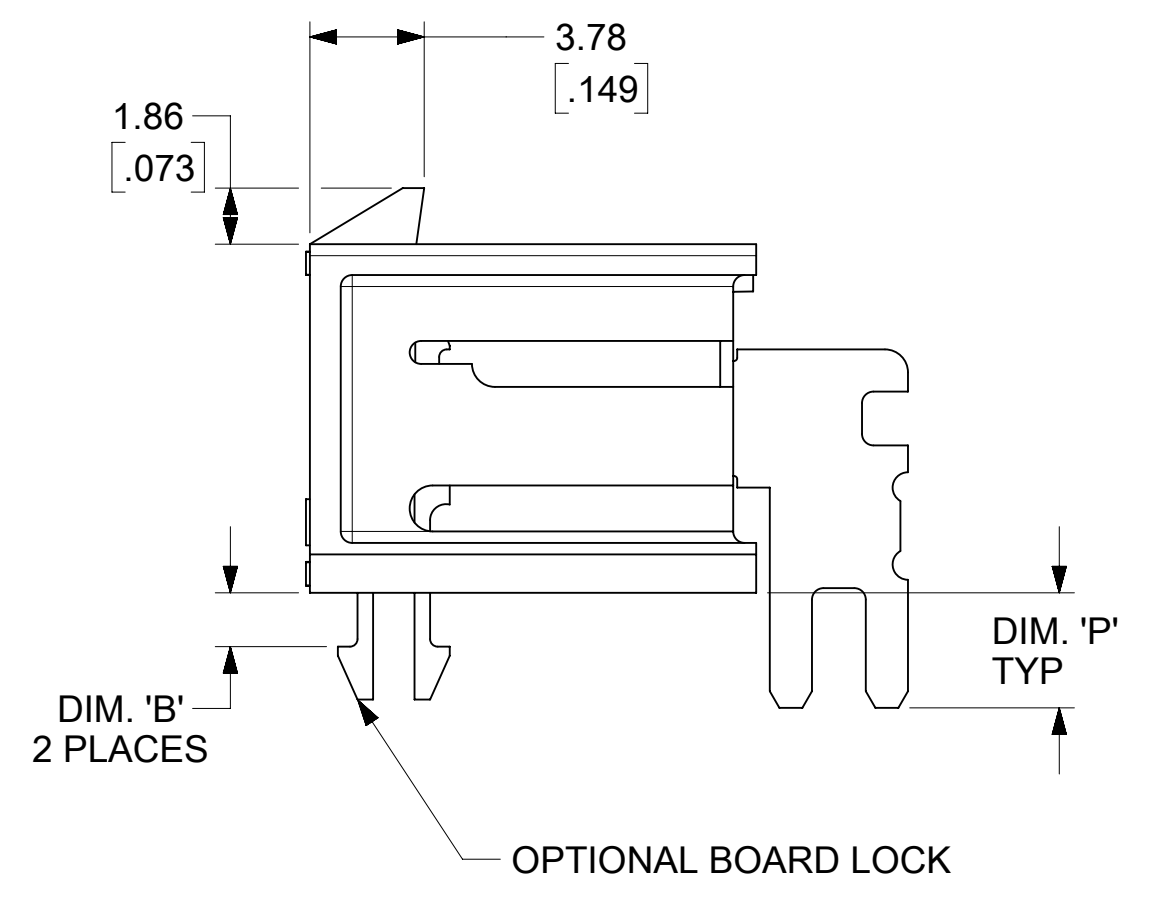
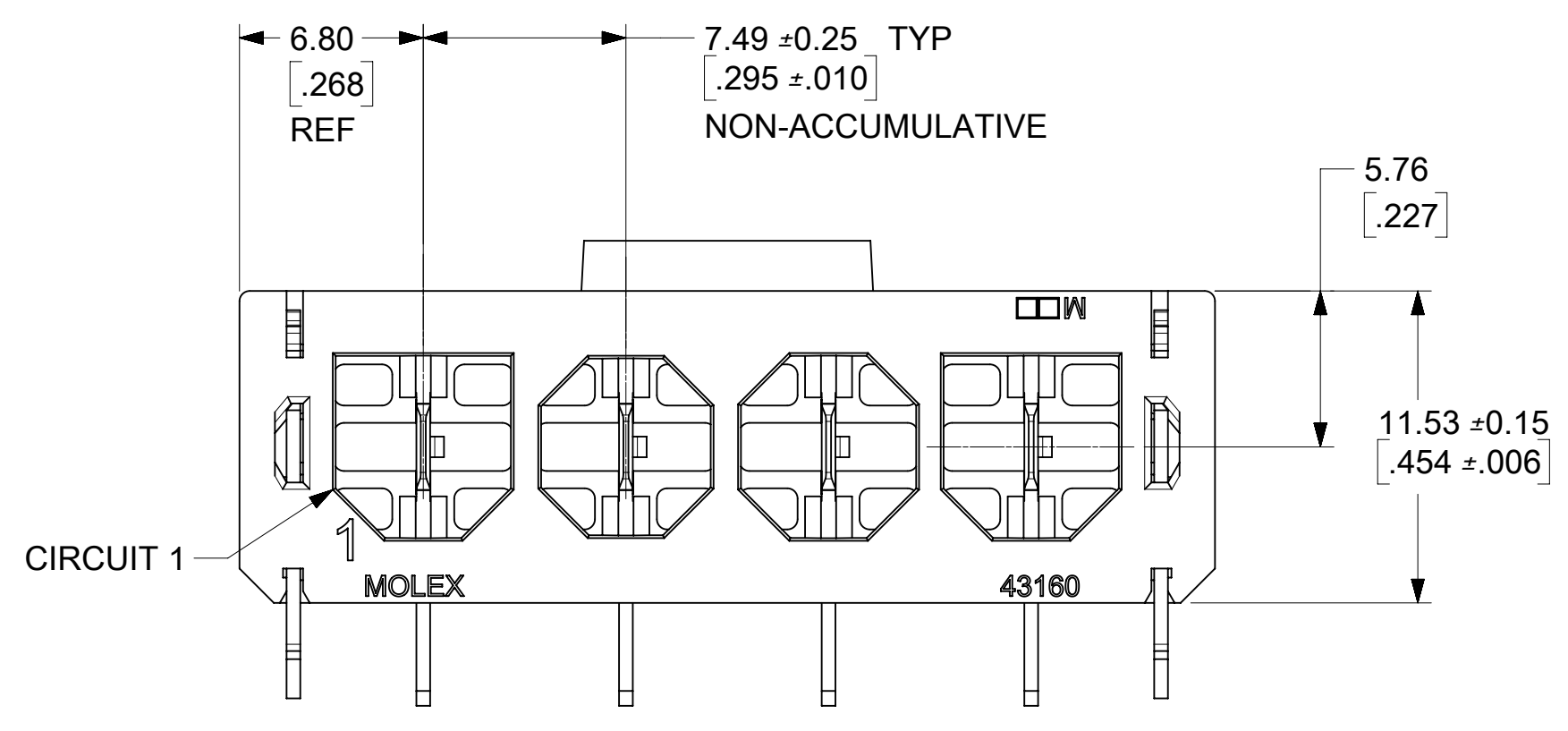
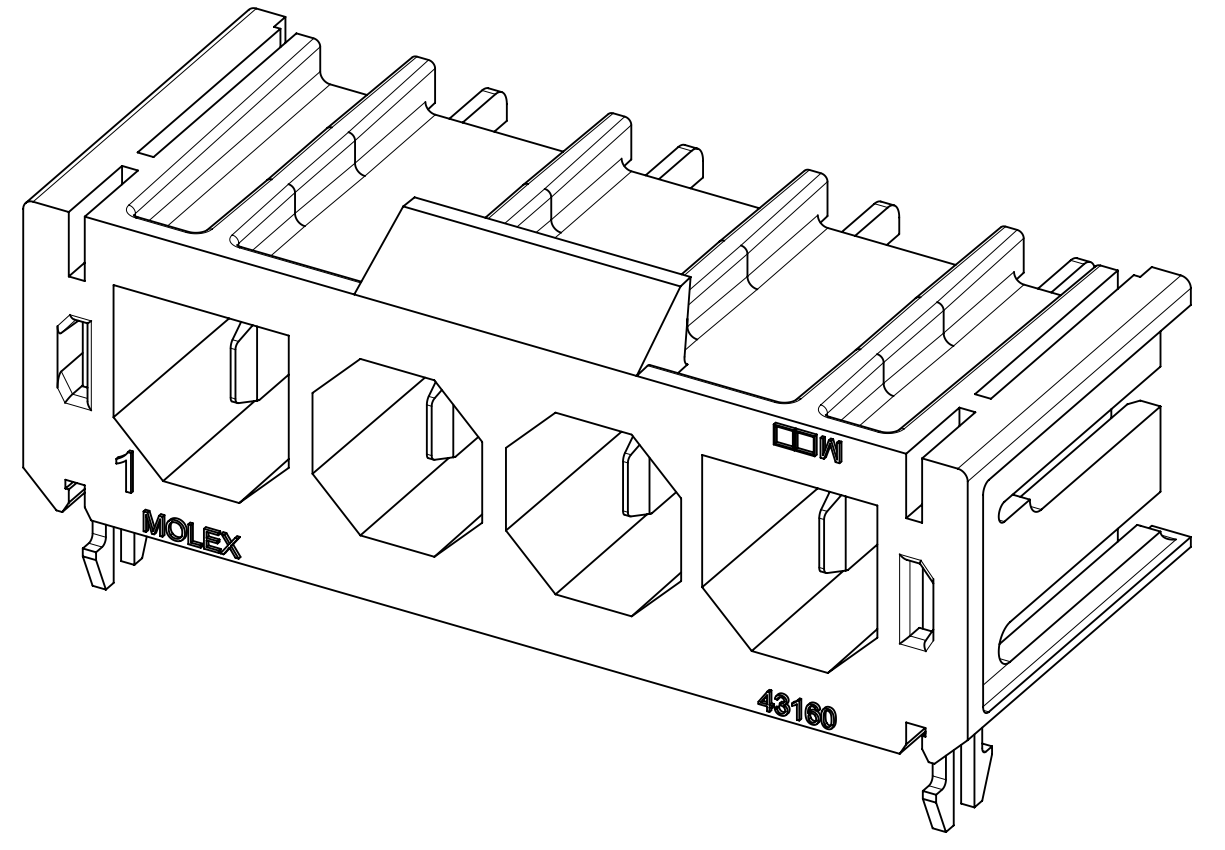
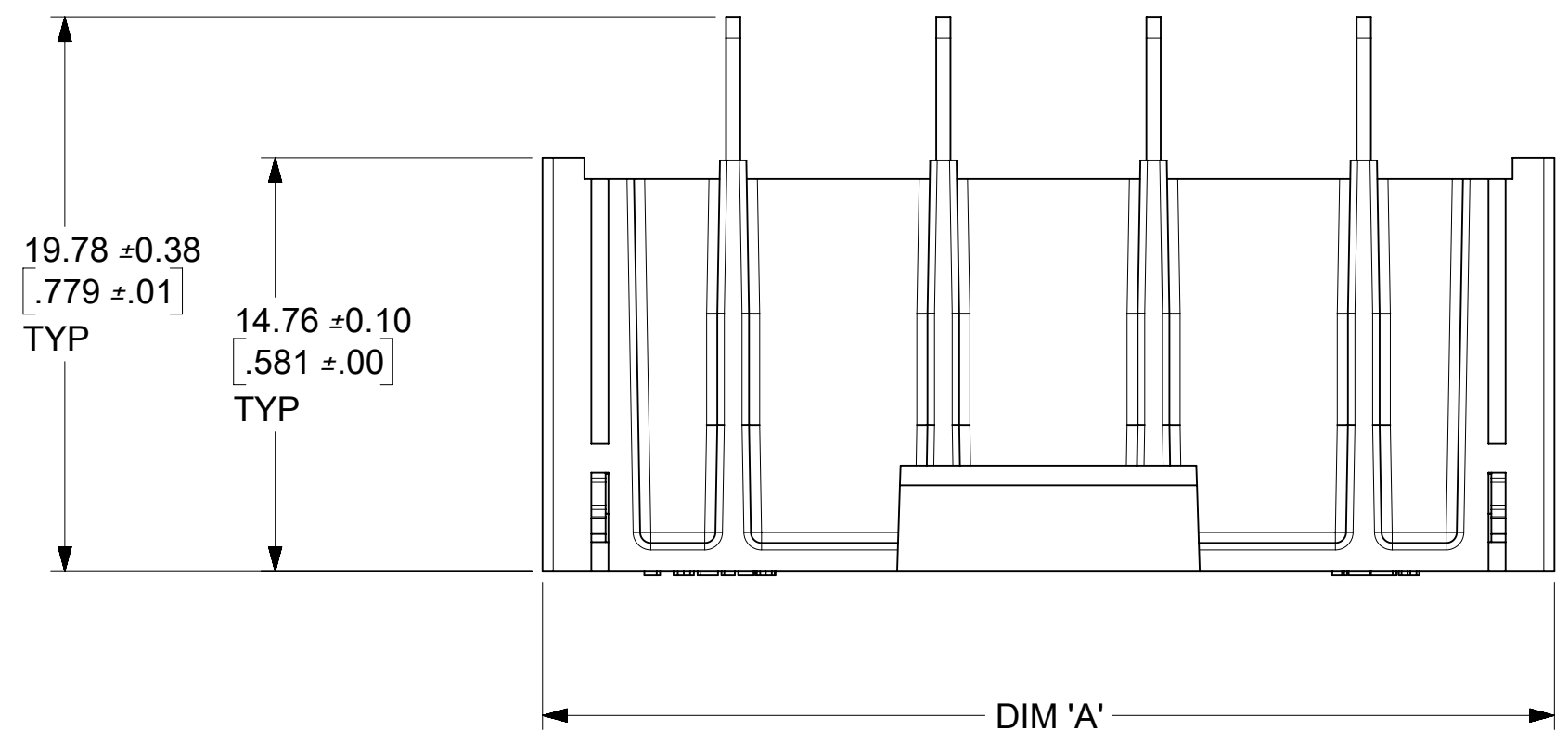
MATED DIMENSIONS VERTICAL HEADERS

FINGER PROOF VERTICAL HEADER ASSEMBLIES

ASSEMBLY PART NO.	CIRCUITS	FINGER PROOF TERMINAL CIRCUIT(S)	DIM. 'P' ± $\frac{0.51}{.020}$	BOARD LOCK	DIM. 'B' ± $\frac{0.10}{.004}$	PACKAGING SPEC.
43160-9002	3	1, 2	3.81/(.150) (SHORT TAIL)	NO	N/A	PK-43160-0010

THIS DRAWING CONTAINS INFORMATION THAT IS PROPRIETARY TO MOLEX ELECTRONIC TECHNOLOGIES, LLC AND SHOULD NOT BE USED WITHOUT WRITTEN PERMISSION											
SYMBOLS		DIMENSION UNITS		SCALE		CURRENT REV/DESC: RELEASED					
▽ = 0		IN/MM		2:1		molex SABRE HEADER ASSEMBLY 2-6 & 8 CIRCUIT .125/(3.18) X .020/(0.51)					
▽ = 0		GENERAL TOLERANCES (UNLESS SPECIFIED)									
▽ = 0						EC NO: 623888 DRWN: MKIPPER 2019/09/06 CHK'D: DSTEIER 2019/09/13 APPR: FSMITH 2019/09/17					
▽ = 0		4 PLACES ±		±		INITIAL REVISION: DRWN: MKIPPER 2019/09/06 APPR: FSMITH 2019/09/17					
▽ = 0		3 PLACES ±		± 0.005							
▽ = 0		2 PLACES ±		± 0.13 ± 0.01		PRODUCT CUSTOMER DRAWING DOCUMENT NUMBER: 431600001-SD DOC TYPE: PSD DOC PART: 000 REVISION: A					
▽ = 0		1 PLACE ±		± 0.25 ±							
▽ = 0		0 PLACES ±		±		MATERIAL NUMBER: SEE CHARTS CUSTOMER: GENERAL MARKET SHEET NUMBER: 2 OF 5					
▽ = 0		ANGULAR TOL ± 0.5°									
▽ = 0		DRAFT WHERE APPLICABLE MUST REMAIN WITHIN DIMENSIONS		THIRD ANGLE PROJECTION		DRAWING: C-SIZE		SERIES: 43160			

CIRCUITS	DIM. 'A' ±	0.33 .013
2	21.08 .830	
3	28.58 1.125	
4	36.07 1.420	
5	43.56 1.715	
6	51.05 2.010	
8	66.04 2.600	

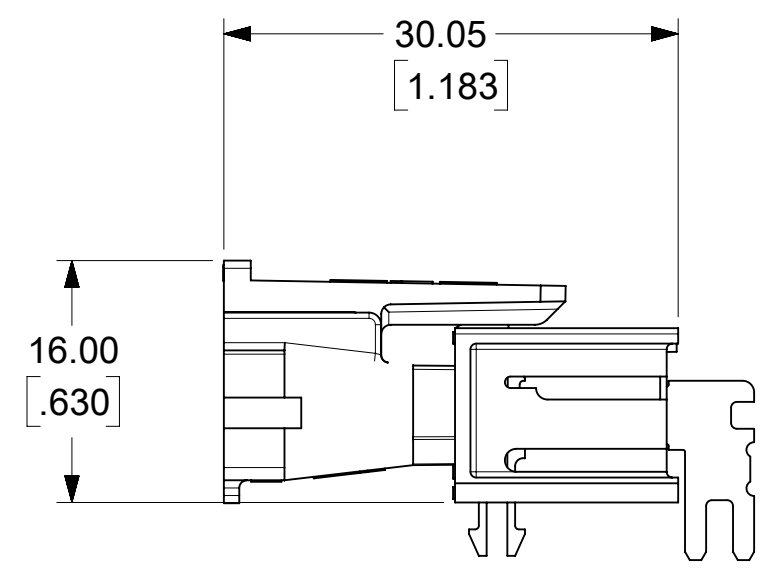
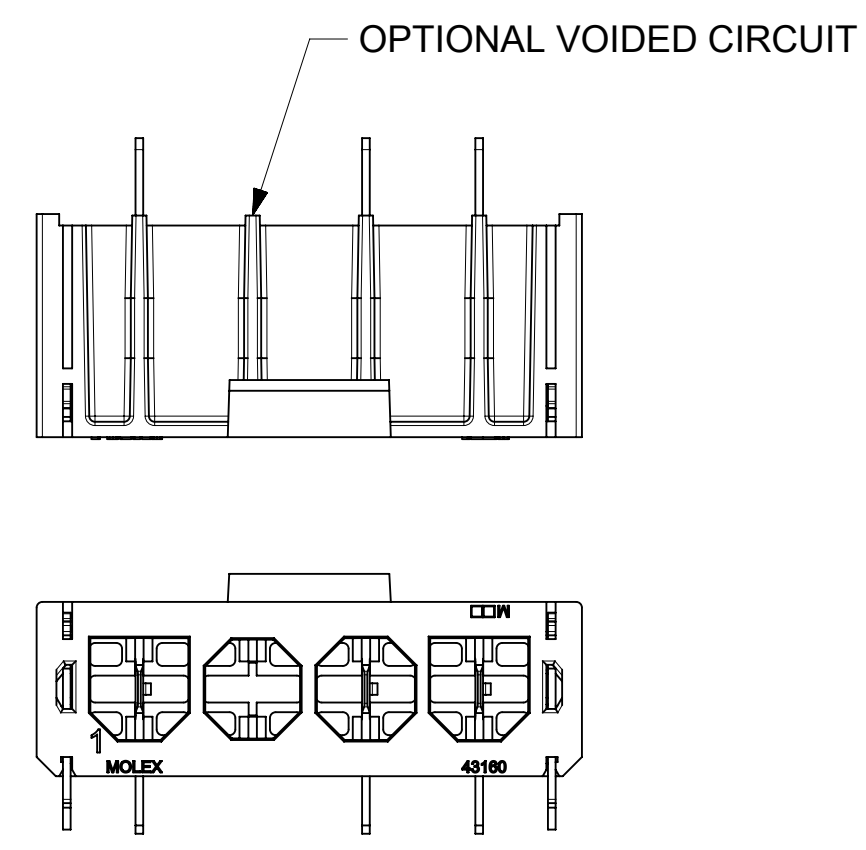
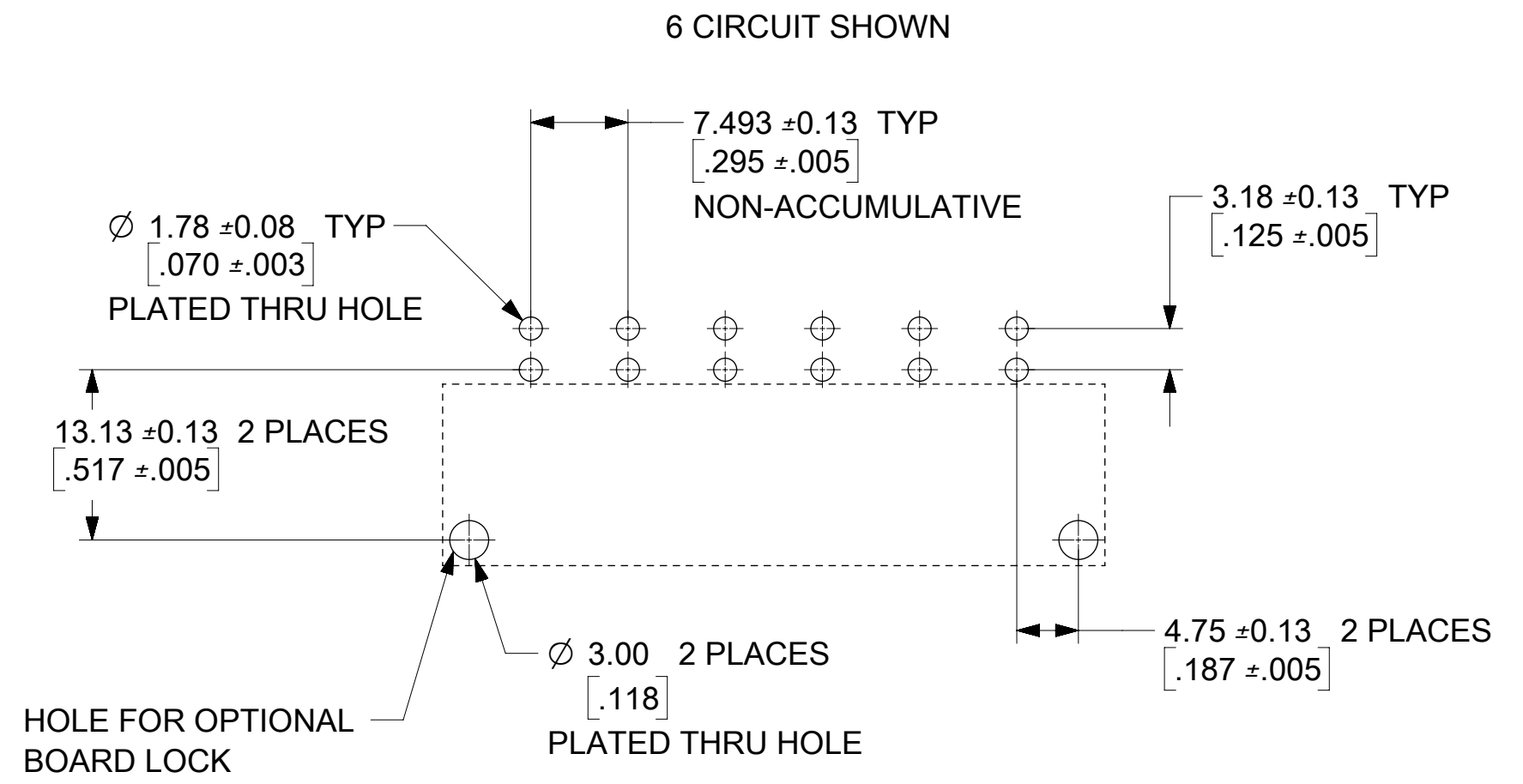


SYMBOLS										THIS DRAWING CONTAINS INFORMATION THAT IS PROPRIETARY TO MOLEX ELECTRONIC TECHNOLOGIES, LLC AND SHOULD NOT BE USED WITHOUT WRITTEN PERMISSION														
DIMENSION UNITS					SCALE					CURRENT REV DESC: RELEASED														
∇ = 0	∇ = 0	∇ = 0	∇ = 0	∇ = 0	IN/MM	4:1																		
GENERAL TOLERANCES (UNLESS SPECIFIED)										EC NO: 623888														
∇ = 0	∇ = 0	∇ = 0	∇ = 0	∇ = 0	4 PLACES	±	MM	±	INCH	DRWN: MKIPPER	2019/09/06	molex SABRE HEADER ASSEMBLY 2-6 & 8 CIRCUIT .125/(3.18) X .020/(0.51)												
∇ = 0	∇ = 0	∇ = 0	∇ = 0	∇ = 0	3 PLACES	±		± 0.005		CHK'D: DSTEIER	2019/09/13													
∇ = 0	∇ = 0	∇ = 0	∇ = 0	∇ = 0	2 PLACES	±	0.13	±	0.01	APPR: FSMITH	2019/09/17	PRODUCT CUSTOMER DRAWING												
∇ = 0	∇ = 0	∇ = 0	∇ = 0	∇ = 0	1 PLACE	±	0.25	±		INITIAL REVISION:		DOCUMENT NUMBER: 431600001-SD DOC TYPE: PSD DOC PART: 000 REVISION: A MATERIAL NUMBER: SEE CHARTS CUSTOMER: GENERAL MARKET SHEET NUMBER: 3 OF 5												
∇ = 0	∇ = 0	∇ = 0	∇ = 0	∇ = 0	0 PLACES	±		±		DRWN: MKIPPER	2019/09/06													
∇ = 0	∇ = 0	∇ = 0	∇ = 0	∇ = 0	ANGULAR TOL	±	0.5 °			APPR: FSMITH	2019/09/17													
∇ = 0	∇ = 0	∇ = 0	∇ = 0	∇ = 0	DRAFT WHERE APPLICABLE MUST REMAIN WITHIN DIMENSIONS					THIRD ANGLE PROJECTION					DRAWING: C-SIZE					SERIES: 43160				

DOCUMENT STATUS	P1	RELEASE DATE	2019/09/17	14:17:52
-----------------	----	--------------	------------	----------

RIGHT ANGLE HEADER ASSEMBLIES					
ASSEMBLY PART NO.	CIRCUITS	DIM. 'P' ± $\frac{0.28}{.011}$	BOARD LOCK	DIM. 'B' ± $\frac{0.10}{.004}$	PACKAGING SPEC.
43160-1102	2	3.81/(.150) (SHORT TAIL)	NO	N/A	PK-43160-0010
43160-1103	3				
43160-1104	4				
43160-1105	5				
43160-1106	6				
43160-1108	8				
43160-1302	2	5.33/(.210) (LONG TAIL)	NO	N/A	PK-43789-001
43160-1303	3				
43160-1304	4				
43160-1305	5				
43160-1306	6				
43160-1308	8				
43160-3102	2	3.81/(.150) (SHORT TAIL)	YES	1.78/(.070) FOR 1.57/(.062) PCB	PK-43789-001
43160-3103	3				
43160-3104	4				
43160-3105	5				
43160-3106	6				
43160-3108	8				
43160-5102	2	3.81/(.150) (SHORT TAIL)	YES	2.59/(.102) FOR 2.39/(.094) PCB	PK-43789-001
43160-5103	3				
43160-5104	4				
43160-5105	5				
43160-5106	6				
43160-5108	8				
43160-5302	2	5.33/(.210) (LONG TAIL)	YES	2.59/(.102) FOR 2.39/(.094) PCB	PK-43789-001
43160-5303	3				
43160-5304	4				
43160-5305	5				
43160-5306	6				
43160-5308	8				
43160-7302	2	5.33/(.210) (LONG TAIL)	YES	3.38/(.133) FOR 3.18/(.125) PCB	PK-43789-001
43160-7303	3				
43160-7304	4				
43160-7305	5				
43160-7306	6				
43160-7308	8				
ASSEMBLY PART NO.	CIRCUITS	DIM. 'P'	BOARD LOCK	DIM. 'B'	PACKAGING SPEC.

RECOMMENDED P.C. BOARD LAYOUT FOR RIGHT ANGLE HEADERS

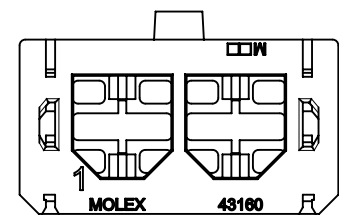


MATED DIMENSIONS RIGHT ANGLE HEADERS

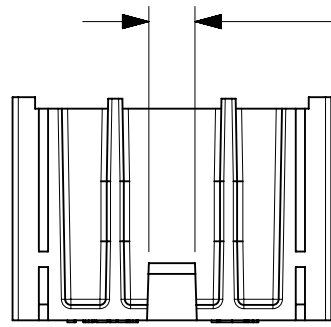
OPTIONAL VOIDED TERMINAL 43160-9001 SHOWN

RIGHT ANGLE HEADER ASSEMBLIES WITH VOIDED TERMINALS						
ASSEMBLY PART NO.	CIRCUITS	DIM. 'P' ± $\frac{0.28}{.011}$	BOARD LOCK	DIM. 'B' ± $\frac{0.10}{.004}$	PACKAGING SPEC.	VOID CIRCUIT(S)
43160-9001	4	3.81/(.150)	YES	1.78/(.070) FOR 1.57/(.062) PCB	PK-43789-001	2
43160-9003	5	(SHORT TAIL)				2, 4

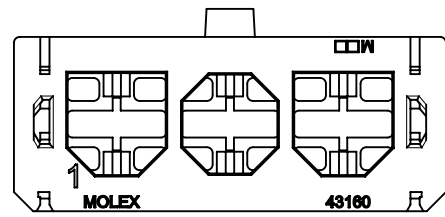
SYMBOLS	THIS DRAWING CONTAINS INFORMATION THAT IS PROPRIETARY TO MOLEX ELECTRONIC TECHNOLOGIES, LLC AND SHOULD NOT BE USED WITHOUT WRITTEN PERMISSION					
	DIMENSION UNITS		SCALE		CURRENT REV/DESC: RELEASED	
▽ = 0	IN/MM		2:1		molex SABRE HEADER ASSEMBLY 2-6 & 8 CIRCUIT .125/(3.18) X .020/(0.51)	
▽ = 0	GENERAL TOLERANCES (UNLESS SPECIFIED)					
▽ = 0	MM		INCH			
▽ = 0	4 PLACES	±	±	EC NO: 623888		
▽ = 0	3 PLACES	±	± 0.005	DRWN: MKIPPER 2019/09/06		
▽ = 0	2 PLACES	± 0.13	± 0.01	CHK'D: DSTEIER 2019/09/13		
▽ = 0	1 PLACE	± 0.25	±	APPR: FSMITH 2019/09/17		
▽ = 0	0 PLACES	±	±	INITIAL REVISION:		
▽ = 0	ANGULAR TOL ± 0.5°		THIRD ANGLE PROJECTION		DRWN: MKIPPER 2019/09/06	
▽ = 0	DRAFT WHERE APPLICABLE MUST REMAIN WITHIN DIMENSIONS		DRAWING		SERIES	
▽ = 0			C-SIZE		43160	
DOCUMENT STATUS		P1	RELEASE DATE	2019/09/17 14:17:52	DOCUMENT NUMBER	
					431600001-SD	
					DOC TYPE	DOC PART
					PSD	000
					REVISION	
					A	
					MATERIAL NUMBER	CUSTOMER
					SEE CHARTS	GENERAL MARKET
					SHEET NUMBER	
					4 OF 5	



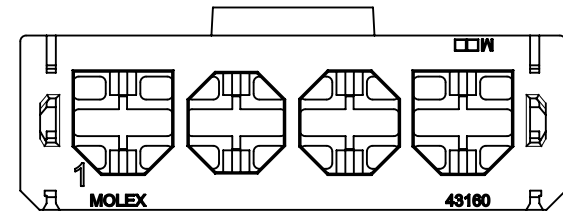
2 CIRCUITS



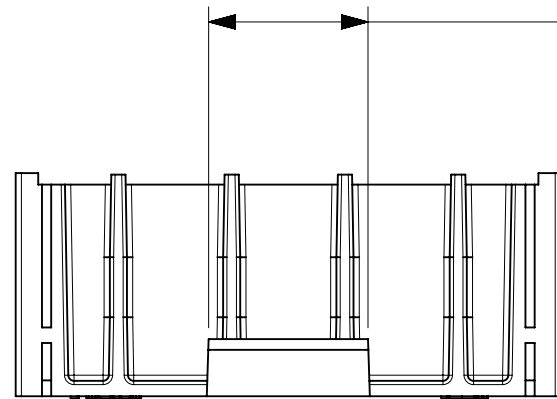
3.05
 .120
 2 AND 3 CIRCUIT



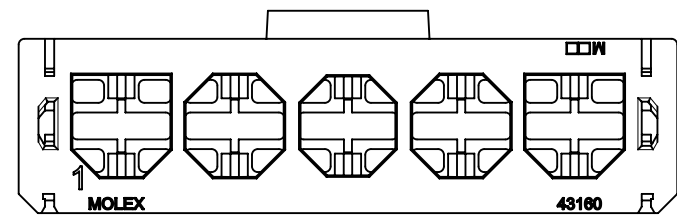
3 CIRCUITS



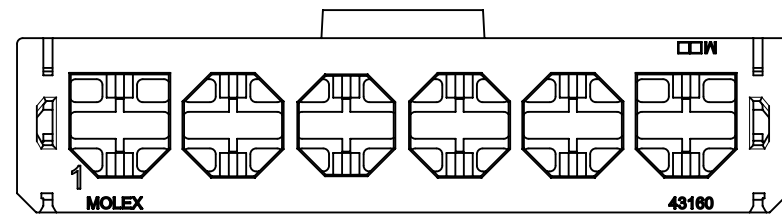
4 CIRCUITS



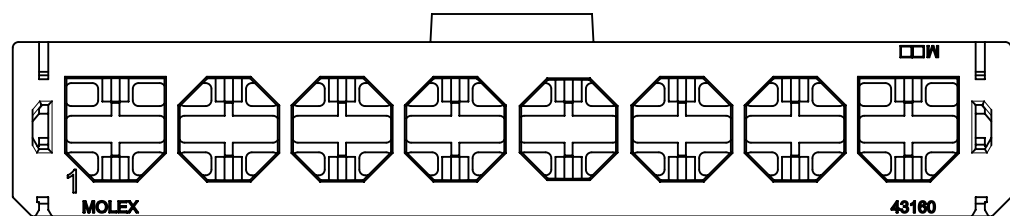
10.54
 .415
 4 CIRCUIT AND UP



5 CIRCUITS



6 CIRCUITS



8 CIRCUITS

POLARIZATION

SYMBOLS	THIS DRAWING CONTAINS INFORMATION THAT IS PROPRIETARY TO MOLEX ELECTRONIC TECHNOLOGIES, LLC AND SHOULD NOT BE USED WITHOUT WRITTEN PERMISSION										
	DIMENSION UNITS		SCALE		CURRENT REV DESC: RELEASED						
▽ = 0	MM/INCH	2:1		GENERAL TOLERANCES (UNLESS SPECIFIED)		EC NO: 623888				2019/09/06	
▽ = 0				MM		INCH		DRWN: MKIPPER		2019/09/13	
▽ = 0				±		±		CHK'D: DSTEIER		2019/09/17	
▽ = 0				± 0.13		± 0.01		APPR: FSMITH		2019/09/17	
▽ = 0				± 0.25		±		INITIAL REVISION:			
▽ = 0				±		±		DRWN: MKIPPER		2019/09/06	
▽ = 0				± 0.5°		±		APPR: FSMITH		2019/09/17	
▽ = 0	DRAFT WHERE APPLICABLE MUST REMAIN WITHIN DIMENSIONS			THIRD ANGLE PROJECTION		DRAWING		SERIES		DOCUMENT NUMBER	
▽ = 0						C-SIZE		43160		431600001-SD	
DOCUMENT STATUS			P1			RELEASE DATE			2019/09/17 14:17:52		
MOLEX			43180			GENERAL TOLERANCES (UNLESS SPECIFIED)			DOC TYPE		
									PSD		
									DOC PART		
									000		
									REVISION		
									A		
									SHEET NUMBER		
									5 OF 5		

Mouser Electronics

Authorized Distributor

Click to View Pricing, Inventory, Delivery & Lifecycle Information:

[Molex:](#)

[43160-5102](#)