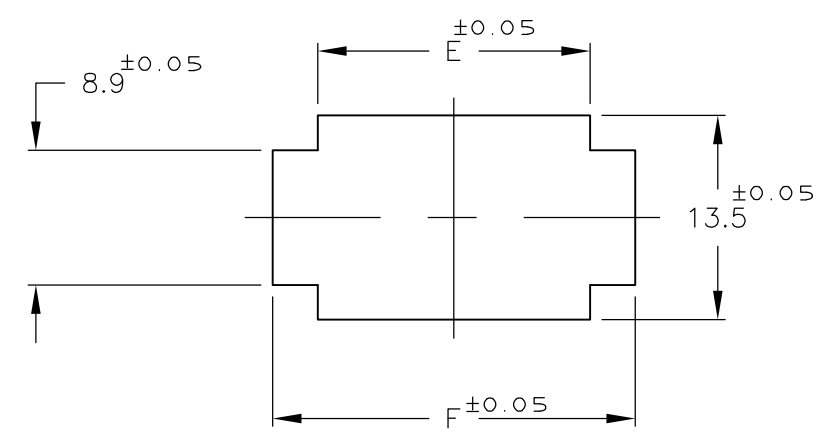


THIS DRAWING IS UNPUBLISHED. RELEASED FOR PUBLICATION
 © COPYRIGHT 2014 Tyco Electronics Japan G.K. ALL RIGHTS RESERVED.

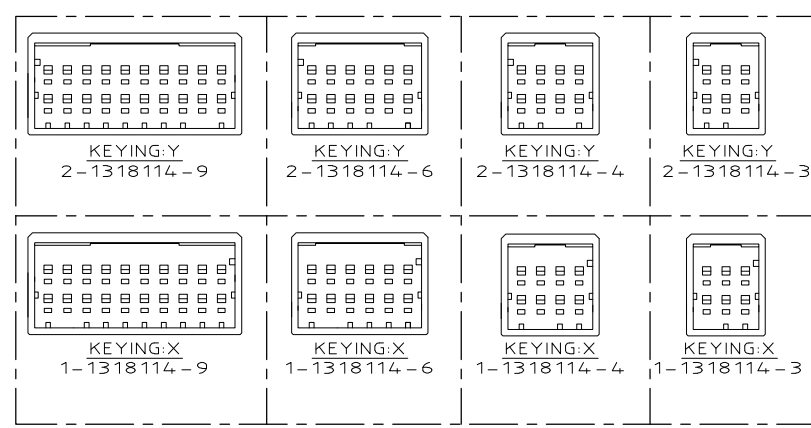
LOC	DIST	REVISIONS			
P	LTR	DESCRIPTION	DATE	DWN	APVD
J	ZDI	B	REVISED	06JUN2014	H.O N.Y

- 注記
- 1 材料：ハウジング：ガラス入り熱可塑性ポリエステル（94V-0），色：黒
 - 2 金属パネルの場合、コネクタ取付け方向をパンチ加工方向にしてください。
 - 3 プラスチックパネルの場合、穴端部にRなき様ご配慮ください。
 - 4 ~~ハウジング全面にテフロン塗装の事。~~

- NOTES
- 1 MATERIAL: HOUSING: GLASS FILED THERMO PLASTIC, POLYESTER(94V-0), COLOR: BLACK
 - 2 INSERT CONN FROM PRESS DIRECTION SIDE FOR METAL PANEL.
 - 3 EDGE OF THICKNESS WAY MUST NOT ROUND FOR MOLDED PANEL.
 - 4 ~~TO COAT ALL SURFACE OF HOUSING WITH TEFLON.~~



パネル加工推奨寸法図
 RECOMMENDED PANEL LAYOUT
 (適用パネル厚：0.8-2.0)
 (APPLICABLE PANEL THICKNESS: 0.8-2.0)

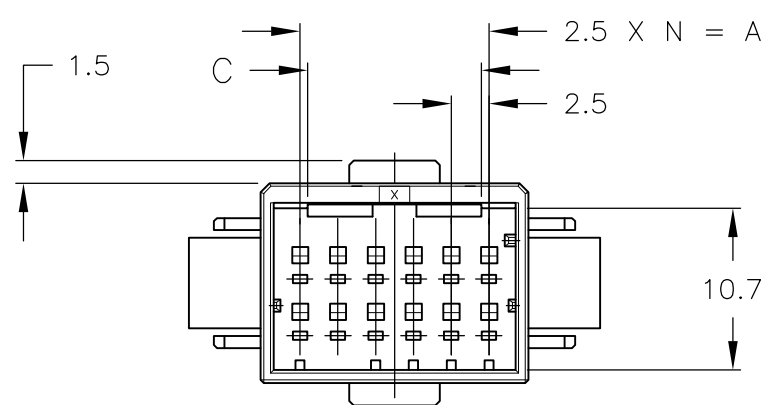
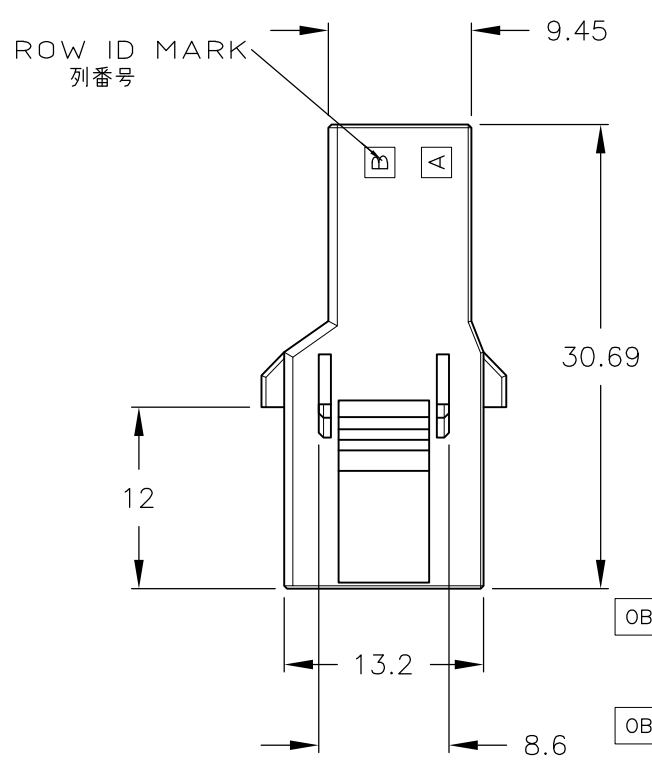
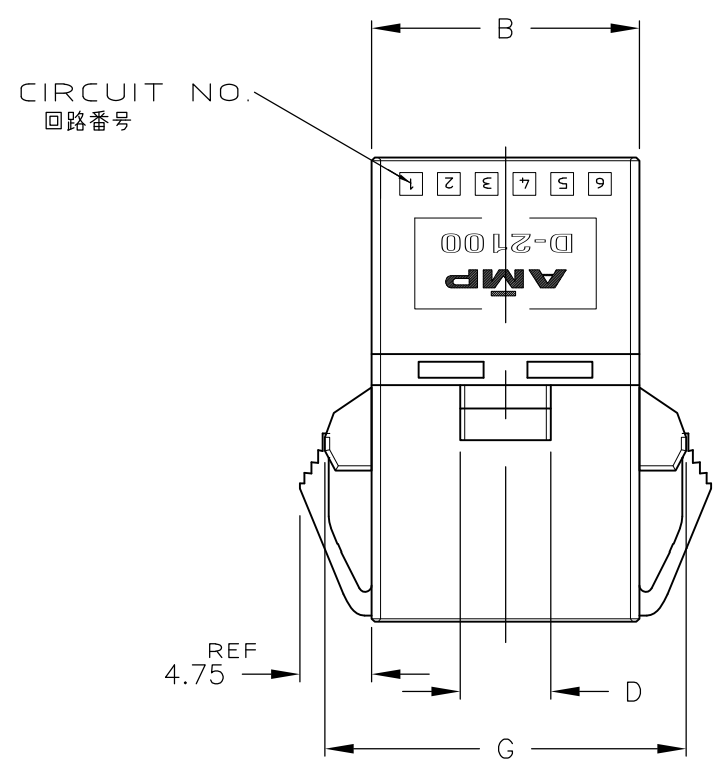
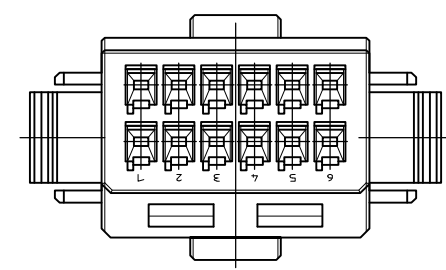


TOLERANCES UNLESS OTHERWISE SPECIFIED:

一般公差

30	10	±0.3
100	>10	±0.35
	>30	±0.4
	ANGLE	±3°

OBSOLETE	△	22.5	27.7	11.5	6	28	34.0	33.88	9	20	5-1318114-9
	-	22.5	27.7	11.5	6	28	34.0	33.88	9	20	2-1318114-9
	-	22.5	27.7	11.5	6	28	34.0	33.88	9	20	1-1318114-9
OBSOLETE	△	12.5	17.7	11.5	6	18	24.0	23.88	5	12	5-1318114-6
	-	12.5	17.7	11.5	6	18	24.0	23.88	5	12	2-1318114-6
	-	12.5	17.7	11.5	6	18	24.0	23.88	5	12	1-1318114-6
OBSOLETE	△	7.5	12.7	4	4	13	19.0	18.88	3	8	5-1318114-4
	-	7.5	12.7	4	4	13	19.0	18.88	3	8	2-1318114-4
	-	7.5	12.7	4	4	13	19.0	18.88	3	8	1-1318114-4
OBSOLETE	△	5	10.2	4	4	10.5	16.5	16.38	2	6	5-1318114-3
	-	5	10.2	4	4	10.5	16.5	16.38	2	6	2-1318114-3
	-	5	10.2	4	4	10.5	16.5	16.38	2	6	1-1318114-3
FINISH		A	B	C	D	E	F	G	N	POS	P/N



THIS DRAWING IS A CONTROLLED DOCUMENT.

DIMENSIONS: mm

TOLERANCES UNLESS OTHERWISE SPECIFIED:

0 PLC	±
1 PLC	±
2 PLC	±
3 PLC	±
4 PLC	±
ANGLES	±
FINISH	±

MATERIAL: △ 1

DWN: K.IKEDA 7/DEV/'98
 CHK: N.MATSUBARA 7/DEC/'98
 APVD: I.HASEGAWA 7/DECC/'98

PRODUCT SPEC: 108-5619
 APPLICATION SPEC: 114-5258
 WEIGHT: -

CUSTOMER DRAWING

STE TE Connectivity

2列 タブ ハウジング パネルマウント タイプ
 DOUBLE ROW TAB (PANEL MOUNT)
 DYNAMIC D2100D

SIZE: A3 CAGE CODE: 00779 DRAWING NO: C-1318114 RESTRICTED TO: -
 SCALE: 2:1 SHEET: 1 OF 1 REV: B

Mouser Electronics

Authorized Distributor

Click to View Pricing, Inventory, Delivery & Lifecycle Information:

[TE Connectivity:](#)

[2-1318114-4](#)