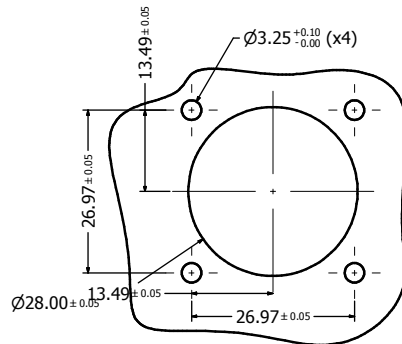
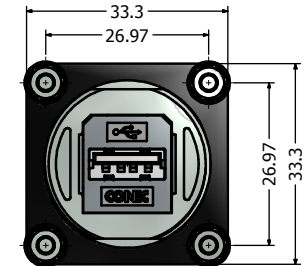
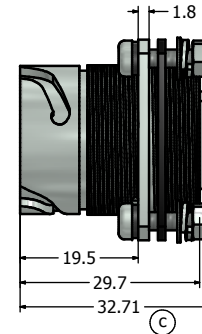
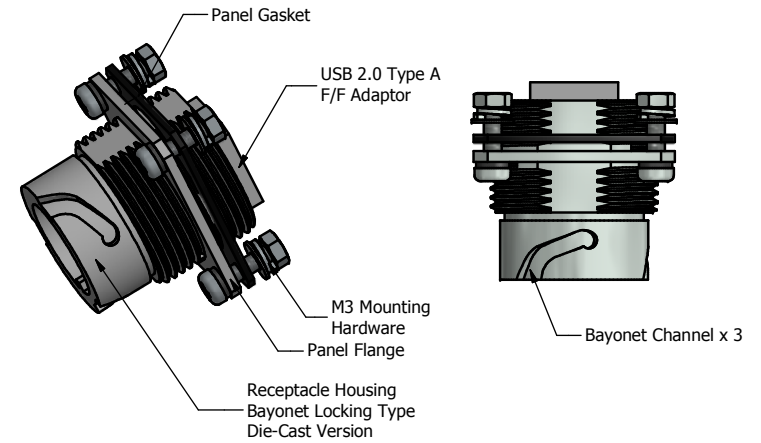


Recommended Double-D Panel Cutout



Recommended Round Panel Cutout



Notes:

- Electrical Specifications:
 - Meets USB 2.0 Specification
 - Contact Resistance: 30 mOhm max.
 - Insulation Resistance: 1000 MOhm min. @ 100 VDC
 - Current Rating: 1.5 A max. at 25°C
 - Working Voltage: 30 V (RMS) max.
 - DWV: 500 VAC/60s at sea level
 - Operating Temperature: -40°C to +85°C
- Material and Finish:
 - Receptacle Housing & Protective Cover: Die-Cast, Nickel Plated
 - Panel Gasket: NBR, Color: Black
 - M3 Mounting Hardware: Stainless Steel includes 4 x (screw + nut + flat washer + spring lock washer)
 - Cover Gasket: Silcon, Color: White
 - Ball Chain Assembly, Copper Alloy and Stainless steel, Nickel Plated
 - USB Adaptor Insulator: PBT, UL94 V-0, Black
 - USB Adaptor Metal Shell: Copper Alloy, Nickel Plated
 - USB Adaptor Overmold material: PBT UL94 V-0, Color: Black
 - USB Contacts: Copper Alloy, Finish: 30 u" Gold min. over Nickel
- Connector can be front or rear mounted to a maximum panel thickness of 3.2 mm.
- IP67 rated when fully mated with appropriate mating connector
- Hardware shipped unassembled
- Recommended mounting torque is 8 to 10 lb-inch

Pin-Assignment

Type A Female	Type A Female
Pin1 -----	Pin1
Pin2 -----	Pin2
Pin3 -----	Pin3
Pin4 -----	Pin4
Shell -----	Shell

Directive 2002/95/EC RoHS Compliant

THIS DRAWING MAY NOT BE COPIED OR REPRODUCED IN ANY MANNER AND MAY NOT BE PASSED ON TO A THIRD PARTY WITHOUT WRITTEN PERMISSION. OWNERSHIP AND COPYRIGHT OF CONEC CORPORATION DO NOT ALTER CAD DRAWING BY HAND	Customer:			Tolerance Unless otherwise specified			Scale:	Dim. in mm	
	Name	Title	Approval Date	0 PLC ±0.30	1 PLC ±0.20		2 PLC ±0.10	3 PLC ±0.05	ANGLES ±1°
				2012	Date	Name	Material: See Notes		
				Draw.	Sept. 27	Vincent Ke	IP67 USB Type A F/F Adaptor Receptacle (with Flange) + Cover Kit Nickel Plated Zinc Die-Cast Version		
			Appd.	Sept. 27	J. Chaudry	Drawing No.: 17K1A355			
					Norm	Part No.: 17-210121			
	c	1 x c	May/22/2013	Vincent Ke	D-old	DIN A3			
	b	1 x b	Mar/05/2013	Vincent Ke		Sheet 1/1			
	a	original							
Rev.	Changes	Date	Name						

Mouser Electronics

Authorized Distributor

Click to View Pricing, Inventory, Delivery & Lifecycle Information:

[CONEC:](#)

[17-210121](#)