

LOC
E

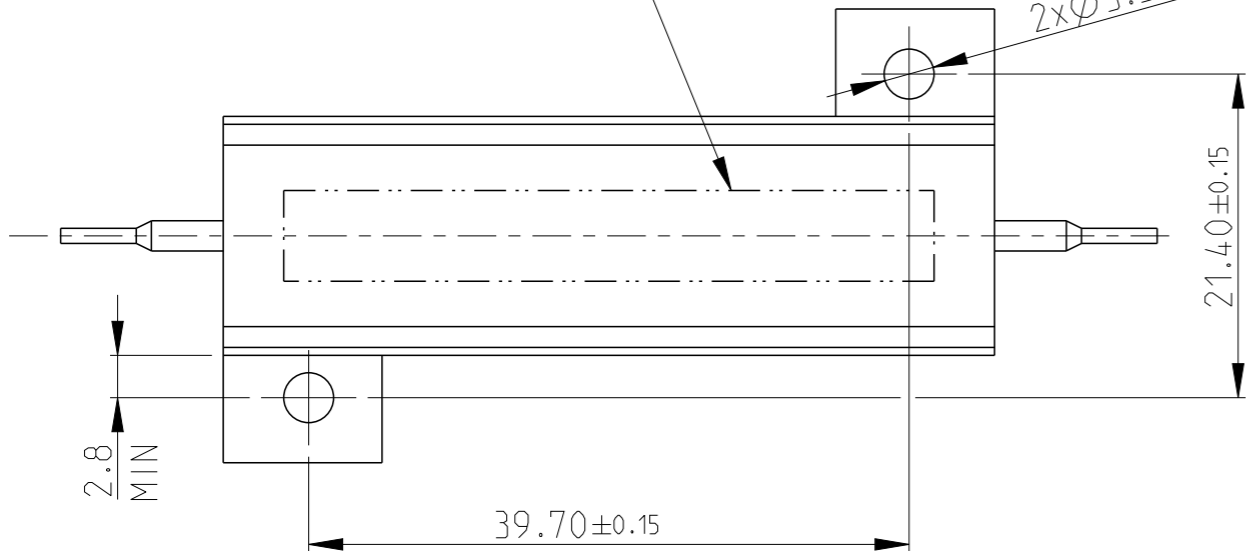
DIST
B

REVISIONS

| P | LTR | DESCRIPTION | DATE | DWN | APVD |
|----|-----|---------------------------|-----------|-----|------|
| B2 | | REVISED PER ECO-11-005150 | 29MAR2011 | RK | HMR |
| L | | ECR-16-003725 | 12MAR2016 | KR | TN |

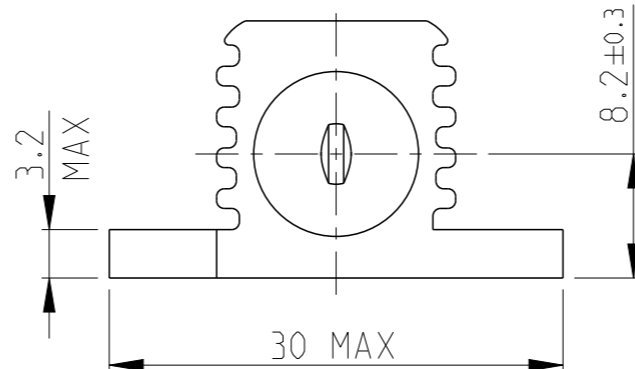
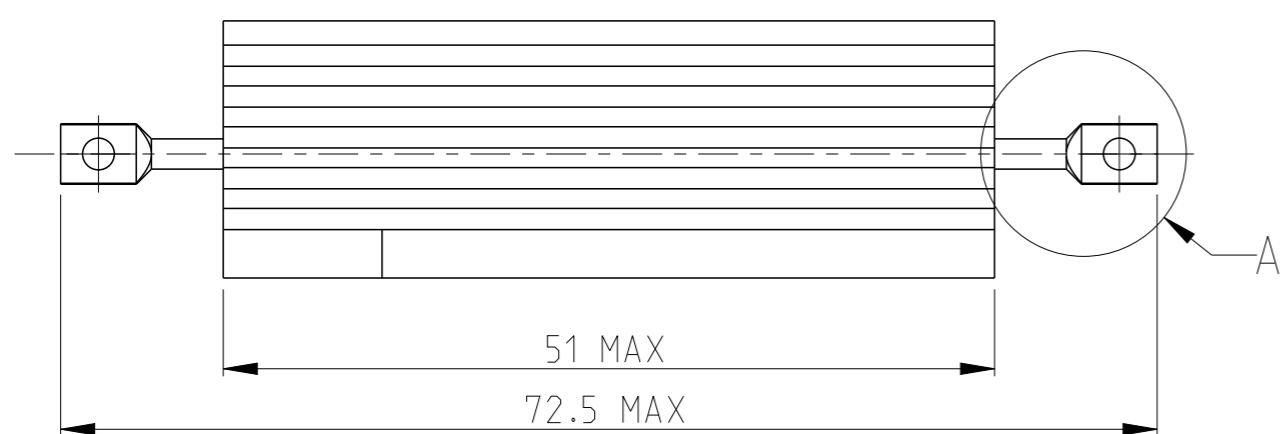
LASER MARKING: TE LOGO PN VALUE
TOLERANCE & DATE CODE

2x∅3.3±0.2 HOLES

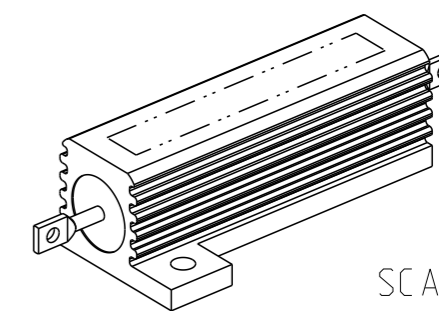


- 1 FOR FURTHER INFORMATION SEE DATA SHEET FOR HS SERIES-ALUMINIUM HOUSED RESISTORS
- 2 FOR A SPECIFIC PN FOR A RESISTANCE VALUE AND TOLERANCE, PLEASE REFER TO DMF
- 3 TECHNICAL SPECIFICATION

DISSIPATION AT 25°C : 50 WATTS MOUNTED ON STANDARD HEATSINK
 BS OHMIC RANGE : R051 TO 72K
 STABILITY : ΔR < =1% PER 1000Hrs
 ISOLATION VOLTAGE : 2500V DC/AC pk
 MAX WORKING VOLTAGE : 1250V DC/AC rms
 TEMP COEFFICIENT : > 1R0 50ppm
 > 100R 25ppm
 CLIMATIC CATEGORY : 55/200/56

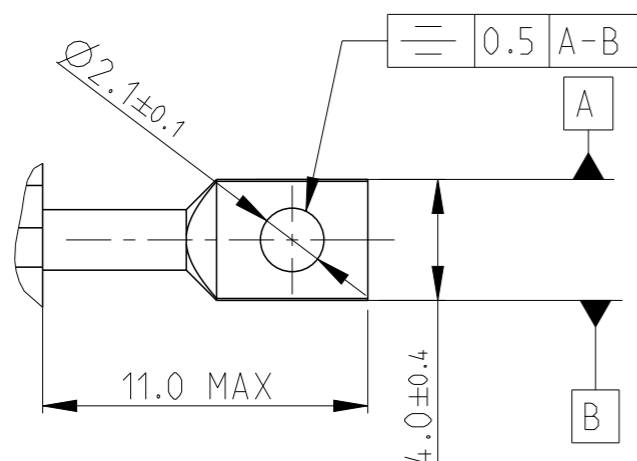


RoHS Compliant



SCALE 1:1

DETAIL A
SCALE 4:1



THIS DRAWING IS A CONTROLLED DOCUMENT.

| DIMENSIONS: | TOLERANCES UNLESS OTHERWISE SPECIFIED: |
|-------------|--|
| mm | |
| | 0 PLC ±0.5 |
| | 1 PLC ±0.2 |
| | 2 PLC ±0.1 |
| | 3 PLC ± |
| | 4 PLC ± |
| | ANGLES ±5° |
| MATERIAL | FINISH |
| - | - |

| | |
|------------------|-----------|
| DWN | 22.SEP.05 |
| DAVE KENNEDY | |
| CHK | 23.SEP.05 |
| J CATCHPOLE | |
| APVD | 23.SEP.05 |
| J CATCHPOLE | |
| PRODUCT SPEC | |
| APPLICATION SPEC | |
| WEIGHT | - |
| CUSTOMER DRAWING | |

| | | | |
|-------------------------|-----------|-----------------|---------------|
| | | TE Connectivity | |
| NAME HSA50 WIDE BORE | | | |
| SIZE | CAGE CODE | DRAWING NO | RESTRICTED TO |
| A3 | 00779 | ©=1625984 | - |
| SCALE 3:1 | | SHEET 1 OF 1 | REV L |

Mouser Electronics

Authorized Distributor

Click to View Pricing, Inventory, Delivery & Lifecycle Information:

[TE Connectivity:](#)

[6-1625984-7](#)