

D38999

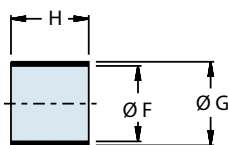
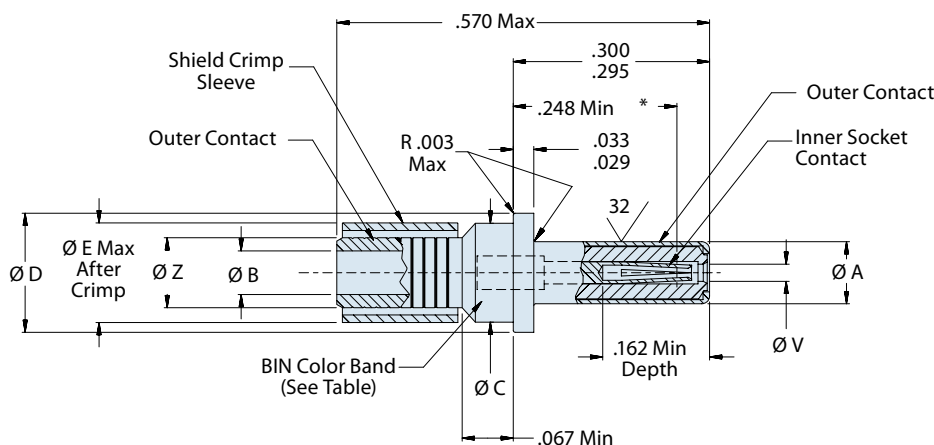
Ser. I, II, III, IV

Size #12 Coaxial Pin Contacts for MIL-DTL-38999 Series I, II, III and IV Connectors

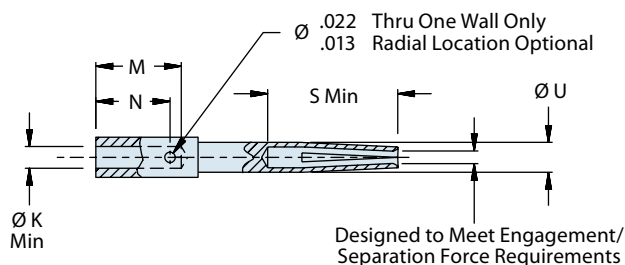

These contacts offer improved frequency response compared to standard coaxial contacts. VSWR is 1.32:1 at 3GHz. Nominal impedance is 50 ohms. Insertion loss at 3GHz is 0.20 dB maximum. Inner contact is rated at 1 amp, the outer contact 12 amps. DWV voltage rating is 1000 Vac rms sea level, 250 Vac at 50,000 feet. Contacts are packaged individually and shipped unassembled with instruction sheet. Inner and outer contacts are gold-plated copper alloy. 5000 megohm insulation resistance.

B

Type	Cable Accommodation	Part Number	Military Part Number	Color Band		
				1st	2nd	3rd
Pin	M17/113-RG316	852-004-12-558	M39029/102-558	Green	Green	Gray
	M17/094-RG179					



Shield Crimp Sleeve



Inner Socket Contact

M39029/102
852-004
Size 12 Coaxial Pin



Table I

BIN Code	ØA	ØB Min	ØC	ØD	ØE Max	ØF Min	ØG Max
558	.095 (2.41) .093 (2.39)	.066 (1.7)	.151 (3.84) .148 (3.76)	.182 (4.62) .179 (4.55)	.156 (4.0)	.127 (3.2)	.169 (4.3)

Table I (continued)

BIN Code	H	ØK Min	M	N	S Min	U	ØV	ØZ Max
558	.180 (4.6) .170 (4.3)	.022 (.6)	.088 (2.2) .063 (1.6)	.100 (2.5) .084 (2.1)	.135 (3.4)	.035 (.9) .031 (.8)	.027 (.7) .025 (.6)	.110 (2.8)

Table III

Inner Contact		Outer Contact		Insertion Tool	Extraction Tool
Basic Crimping Tool	Positioner	Basic Crimping Tool	Die		
Daniels MH992	Glenair 859-006 or K1721	M22520/5-01	M22520/5-03	M81969/8-09 or M81969/14-04	M81969/8-10 or M81969/14-04

Material and Finish

Contact Body: Copper Alloy/Gold Plated
Hood: Stainless Steel/Passivated
Center Contact: Copper Alloy/Gold Plated
Crimp Sleeve: Copper Alloy/Gold Plated
Insulator: Teflon

* Indicates point at which a square ended pin of the same basic diameter as the mating contact first engages the outer contact spring

Mouser Electronics

Authorized Distributor

Click to View Pricing, Inventory, Delivery & Lifecycle Information:

[Glenair:](#)

[M39029/102-558](#)