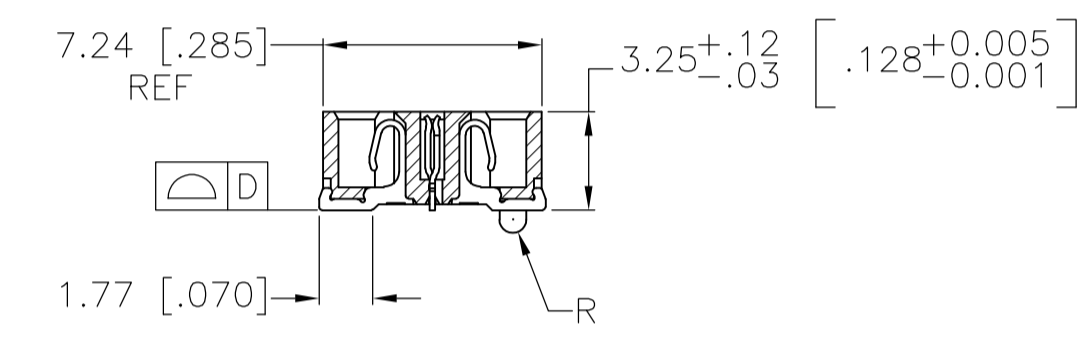
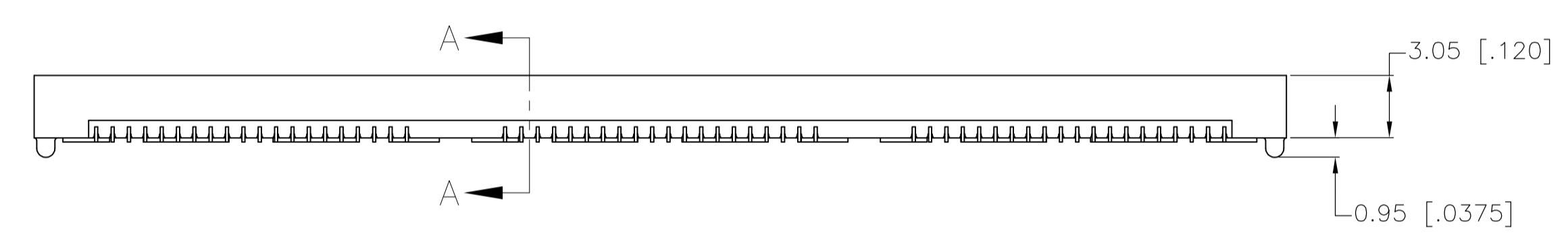
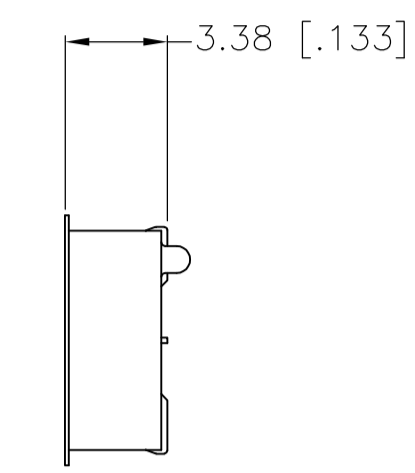
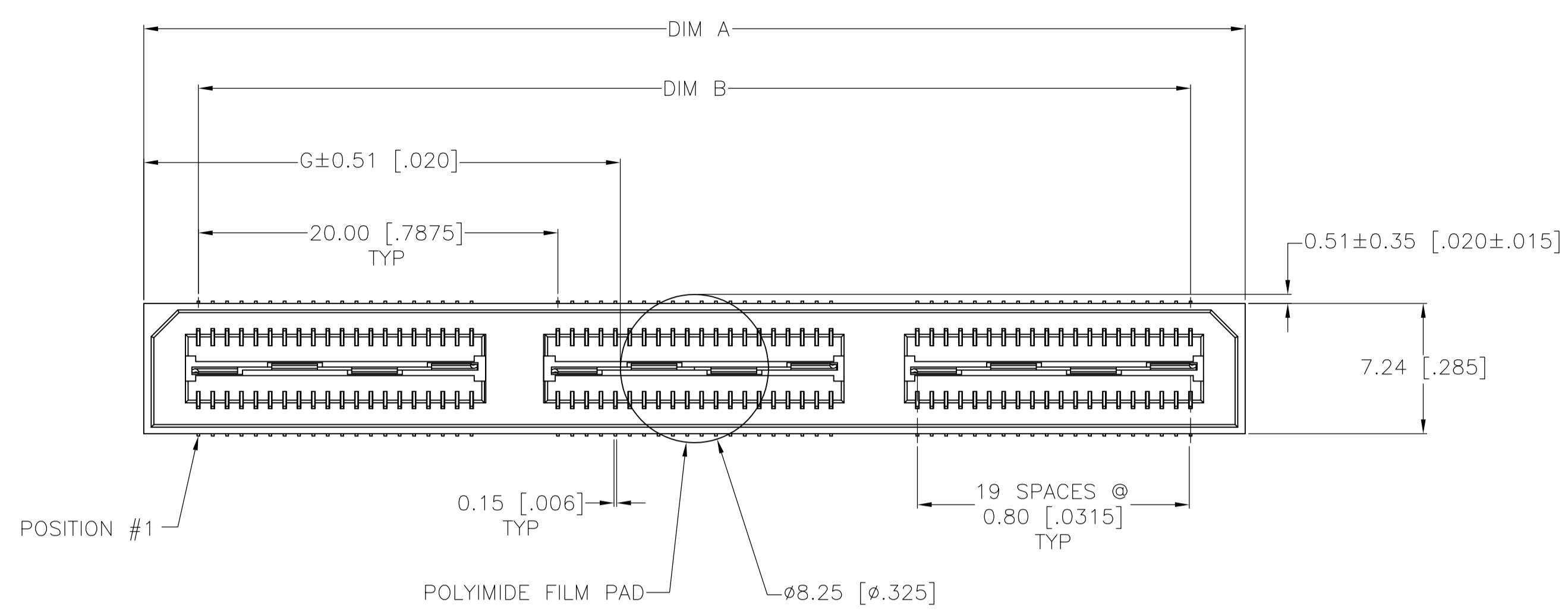
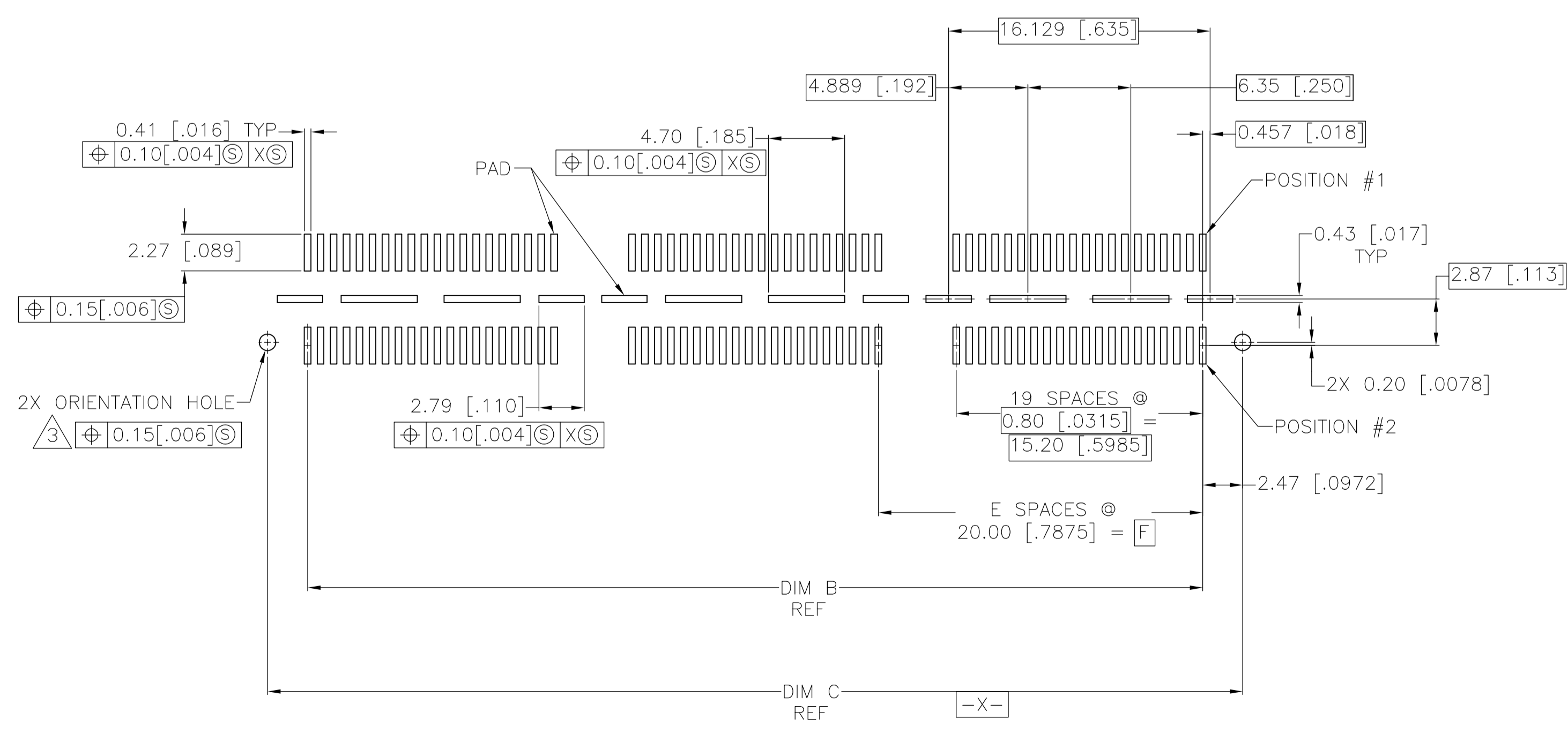
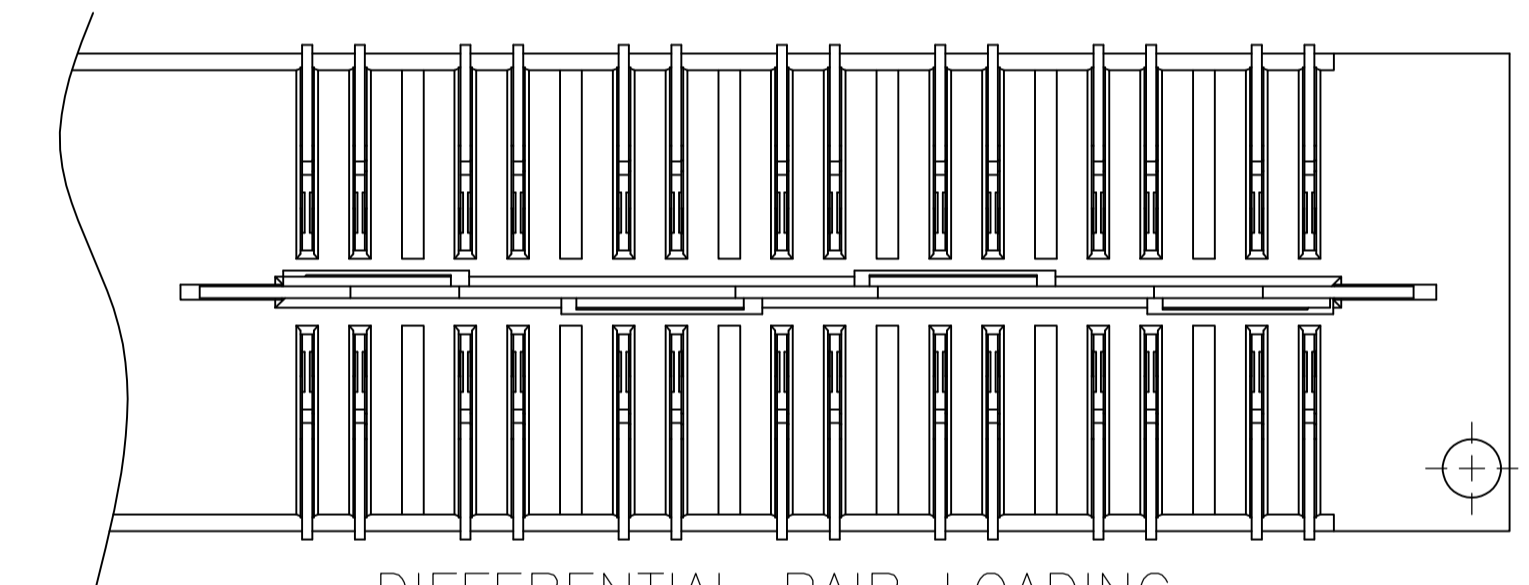
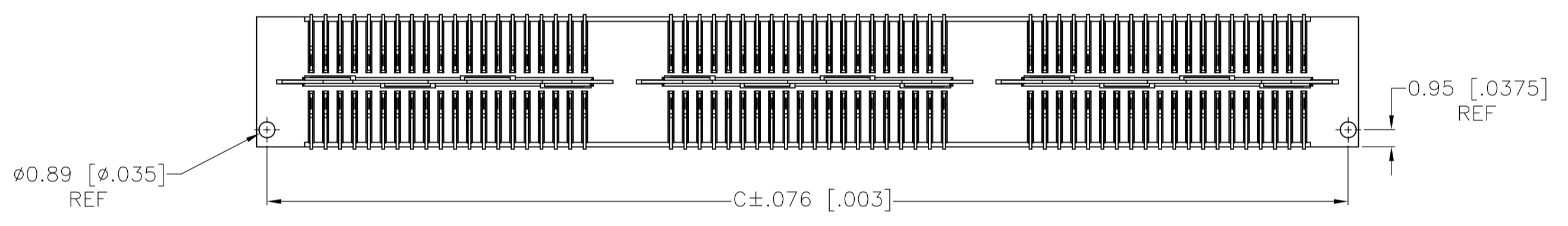


- 1 HOUSING: LCP, BLACK.
CONTACT & GROUND PLANE: PHOS BRONZE.
- 2 CONTACT PLATING: SELECT 0.25 MICROMETERS (.00010 IN) MIN. GOLD.
- 3 FOR STANDARD APPLICATIONS, ORIENTATION HOLE TO BE $\phi 1.02$ [$\phi 0.400$].
- 4 OBSOLETE PARTS: OBSOLETE CIS STREAMLINING PER D.RENAUD/D.SINISI



SECTION A-A



REV	DATE	DESCRIPTION	BY	APPV	REV	DATE	DESCRIPTION	BY	APPV	REV	DATE	DESCRIPTION	BY	APPV
1					84	7-1658012-3								
2					56	7-1658012-2								
3					28	7-1658012-1								
4					120	6-1658012-3								
5					80	6-1658012-2								
6					40	6-1658012-1								
7					84	5-1658012-3								
8					56	5-1658012-2								
9					28	5-1658012-1								
10					120	4-1658012-3								
11					80	4-1658012-2								
12					40	4-1658012-1								
13					140	3-1658012-5								
14					112	3-1658012-4								
15					84	3-1658012-3								
16					56	3-1658012-2								
17					28	3-1658012-1								
18					200	2-1658012-5								
19					160	2-1658012-4								
20					120	2-1658012-3								
21					80	2-1658012-2								
22					40	2-1658012-1								
23					140	1-1658012-5								
24					112	1-1658012-4								
25					84	1-1658012-3								
26					56	1-1658012-2								
27					28	1-1658012-1								
28					200	1-1658012-5								
29					160	1-1658012-4								
30					120	1-1658012-3								
31					80	1-1658012-2								
32					40	1-1658012-1								
33					140	1-1658012-5								
34					112	1-1658012-4								
35					84	1-1658012-3								
36					56	1-1658012-2								
37					28	1-1658012-1								
38					200	1-1658012-5								
39					160	1-1658012-4								
40					120	1-1658012-3								
41					80	1-1658012-2								
42					40	1-1658012-1								

RECOMMENDED PC BOARD LAYOUT
VIEWED FROM CONNECTOR SIDE

THIS DRAWING IS A CONTROLLED DOCUMENT.

DIMENSIONS: mm [INCHES]

TOLERANCES UNLESS OTHERWISE SPECIFIED:

0 PL	±	
1 PL	±	0.3[0.1]
2 PL	±	0.15[0.005]
3 PL	±	0.05[0.0020]
4 PL	±	0.025[0.0010]
ANGLES	±	°

MATERIAL: 1

FINISH: 2

THIS DRAWING IS A CONTROLLED DOCUMENT.

DIN 180CT04

CMCMASTER 180CT04

DIXON 180CT04

DIXON 180CT04

NAME: RECEPTACLE ASSEMBLY, VERTICAL

PRODUCT SPEC: 0.80MM CL.

APPLICATION SPEC: -

SIZE: A1

WEIGHT: -

CAGE CODE: 00779

DRAWING NO: 1658012

RESTRICTED TO: -

CUSTOMER DRAWING

SCALE: 4:1

SHEET: 1 OF 1

REV: M2

Mouser Electronics

Authorized Distributor

Click to View Pricing, Inventory, Delivery & Lifecycle Information:

[TE Connectivity:](#)

[4-1658012-2](#)