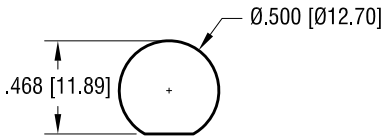
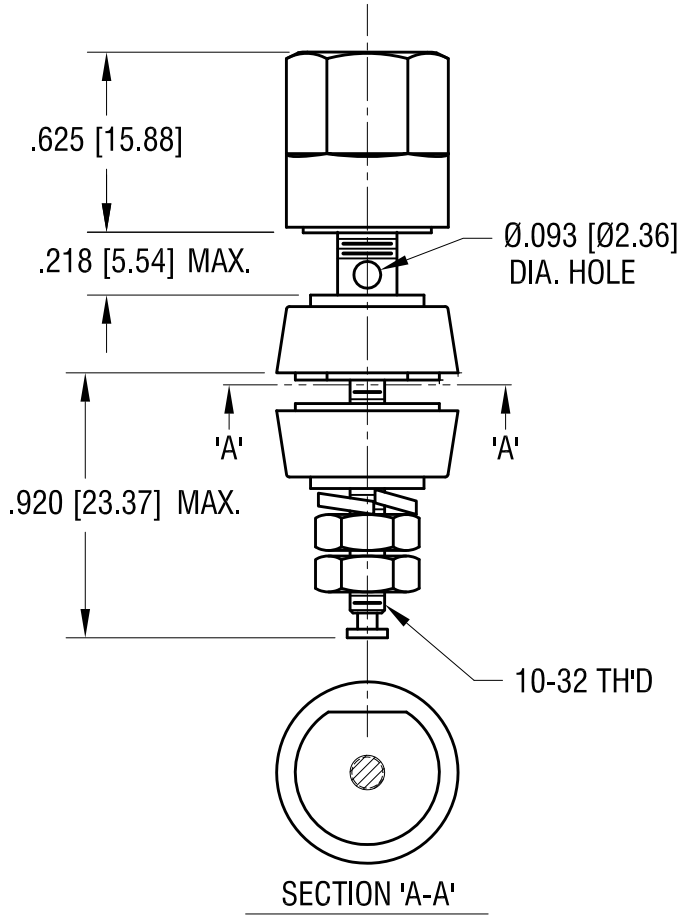


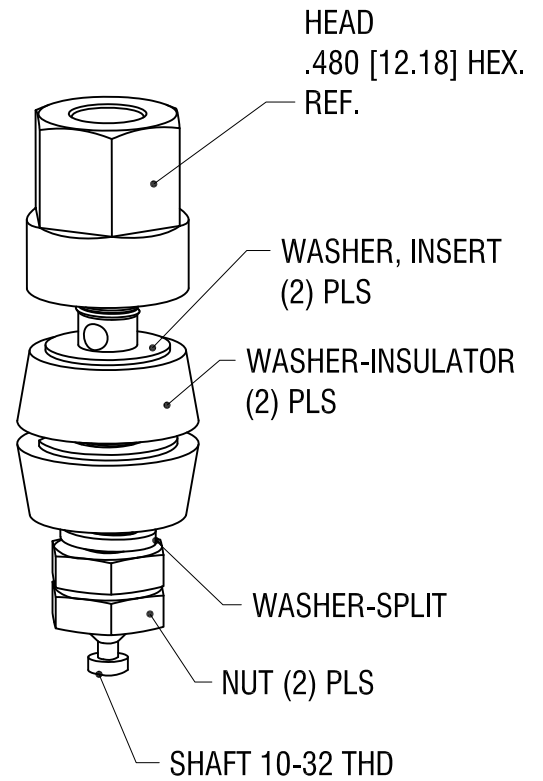
**MOUNTING DETAIL**



THIS DOCUMENT IS THE PROPERTY OF KEYSTONE ELECTRONICS CORP. AND SHALL NOT BE REPRODUCED, DISTRIBUTED OR USED AS A BASIS FOR MANUFACTURE WITHOUT PRIOR WRITTEN PERMISSION FROM KEYSTONE ELECTRONICS CORP.



P/N	TH'D	COLOR
4198	10-32	WHITE
4199	10-32	YELLOW



DESCRIPTION	MAT'L	FINISH
HEAD	NYLON	-
WASHER, INSULATOR	NYLON	-
WASHER, INSERT	BRASS	NICKEL PL.
WASHER, SPLIT	BRASS	NICKEL PL.
NUT	BRASS	NICKEL PL.
SHAFT 10-32 TH'D	BRASS	NICKEL PL.

DATE	DESCRIPTION	REV.
10.28.11	SPLIT C/M TO 'C' & 'M' CHANGE AS PER ECN 11-140	B
2.17.06	CHANGE AS PER ECN 06-013	A

**KEYSTONE ELECTRONICS CORP.**  
 www.keyelco.com • ASTORIA, N.Y. 11105-2017 • Tel (718) 956-8900

PART NAME: STANDARD 'HEX' BINDING POST

MATERIAL: AS NOTED

FINISH: AS NOTED	DRN BY: BOONE	DATE: 4.19.04
	APP'D: LN	SCALE: X

TOLERANCES INCH [MM]  
 DECIMAL ± .005 [± 0.13]  
 ANGULAR ± 1°  
 UNLESS OTHERWISE SPECIFIED

CODE: C

DWG NO.: 4198-4199

# Mouser Electronics

Authorized Distributor

Click to View Pricing, Inventory, Delivery & Lifecycle Information:

[Keystone Electronics:](#)

[4198](#)