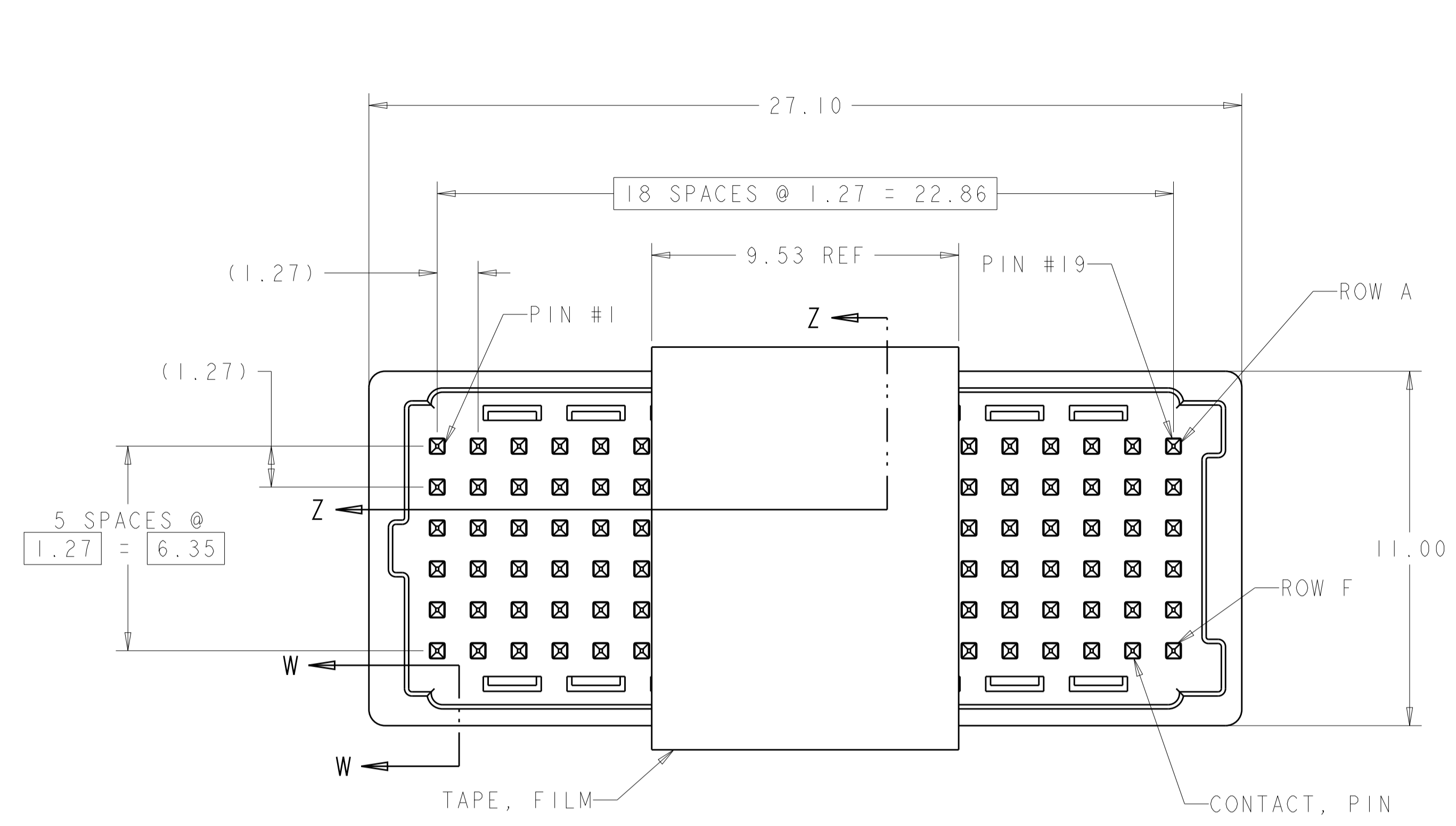
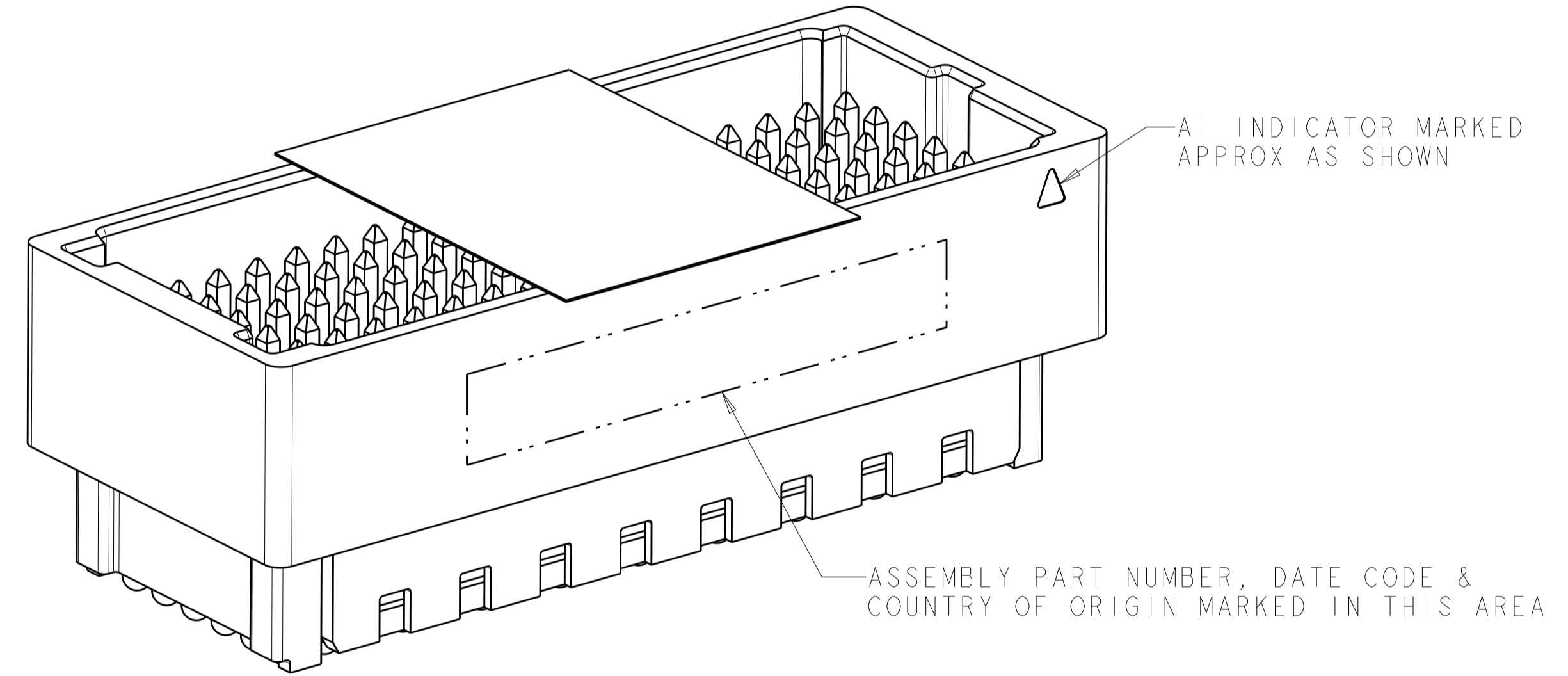
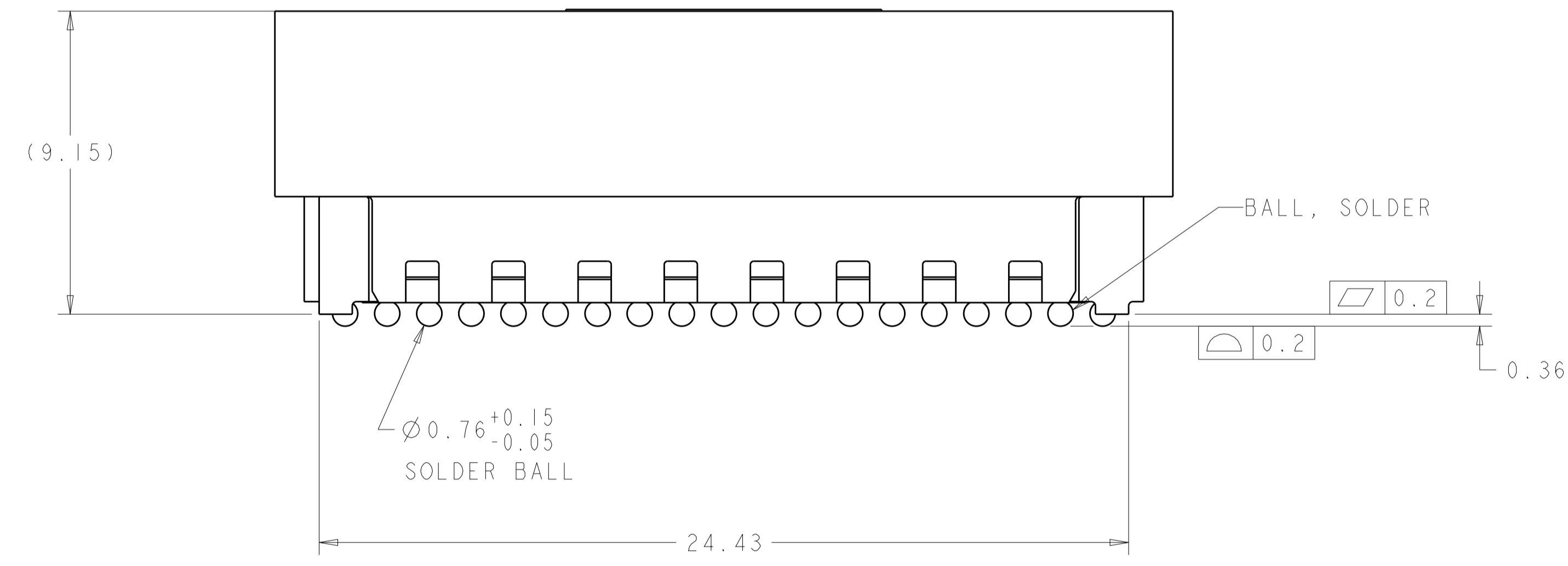
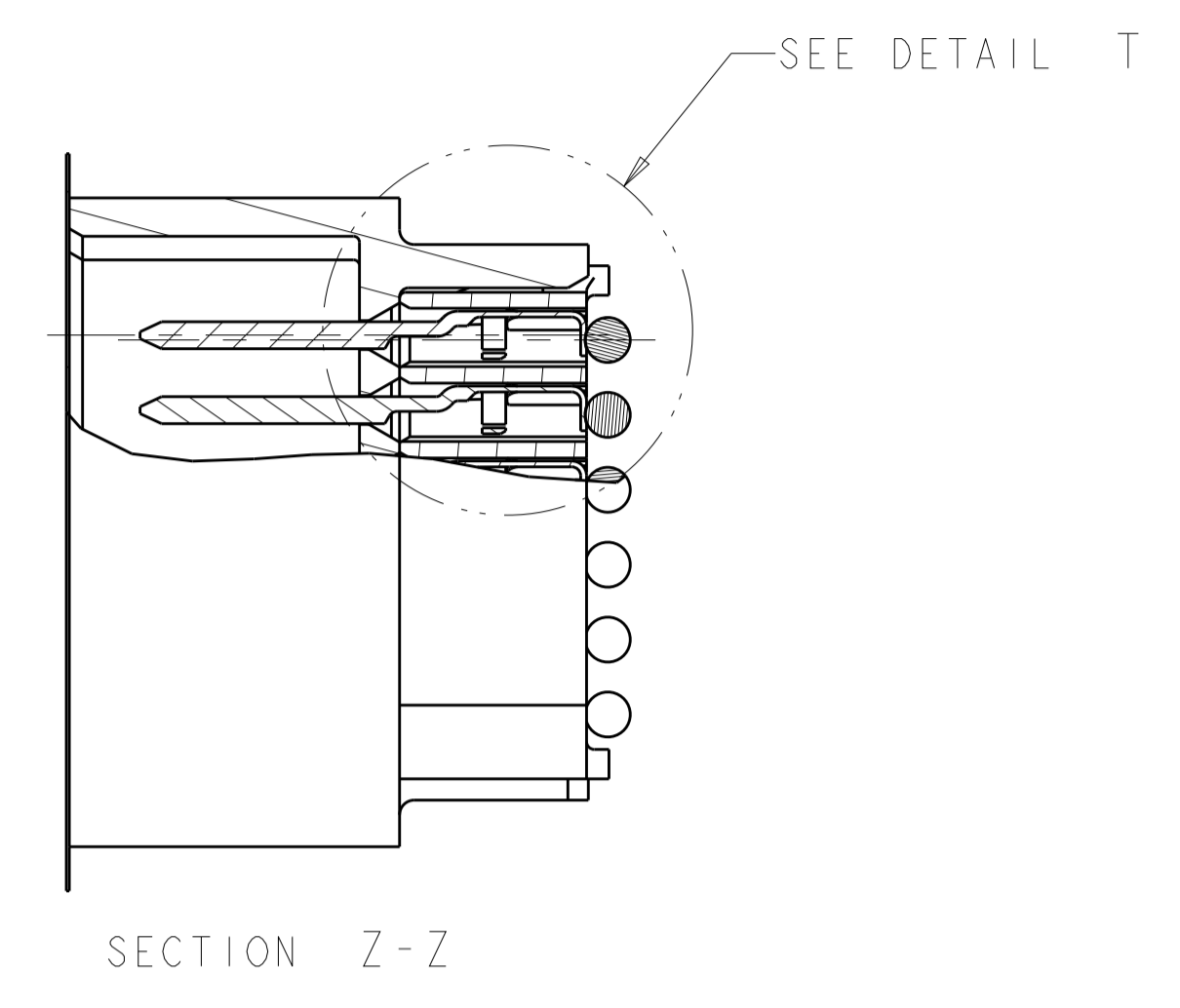
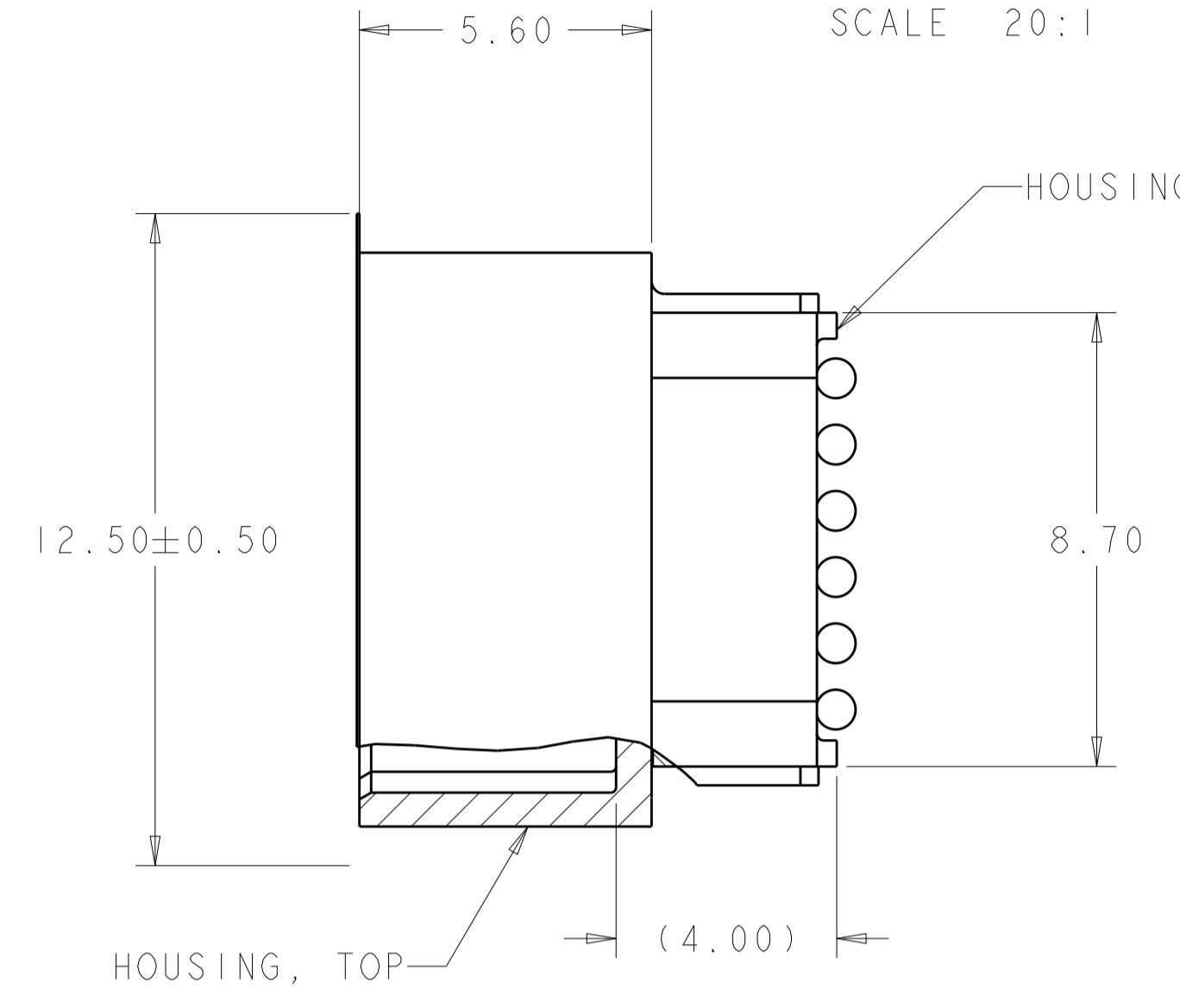
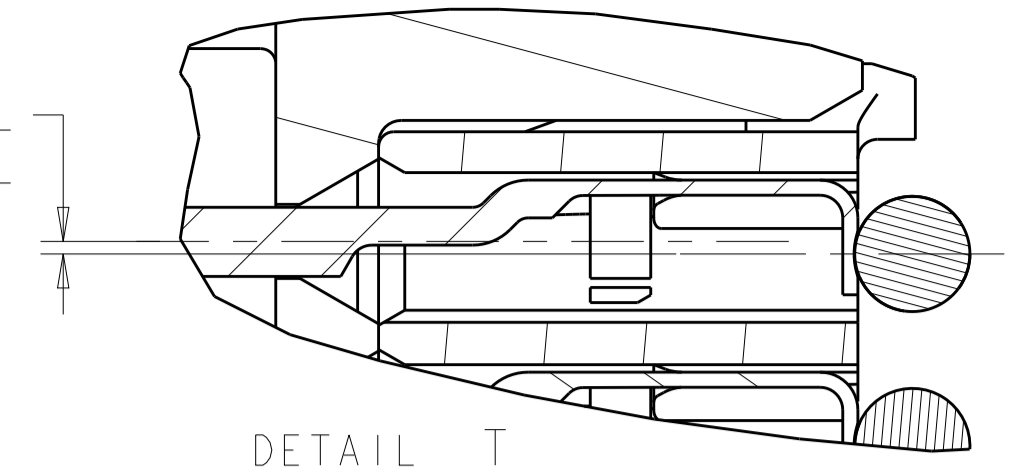


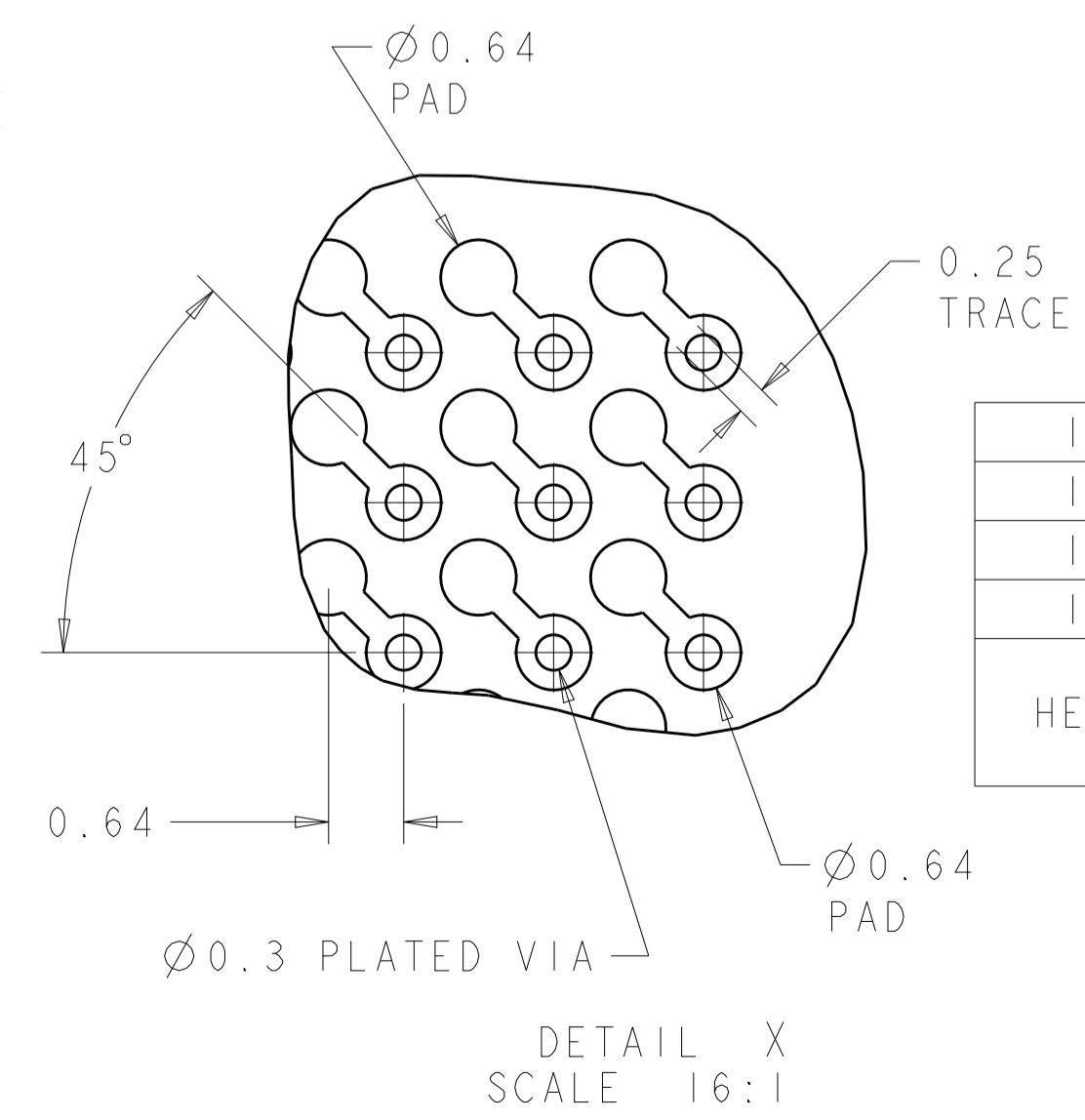
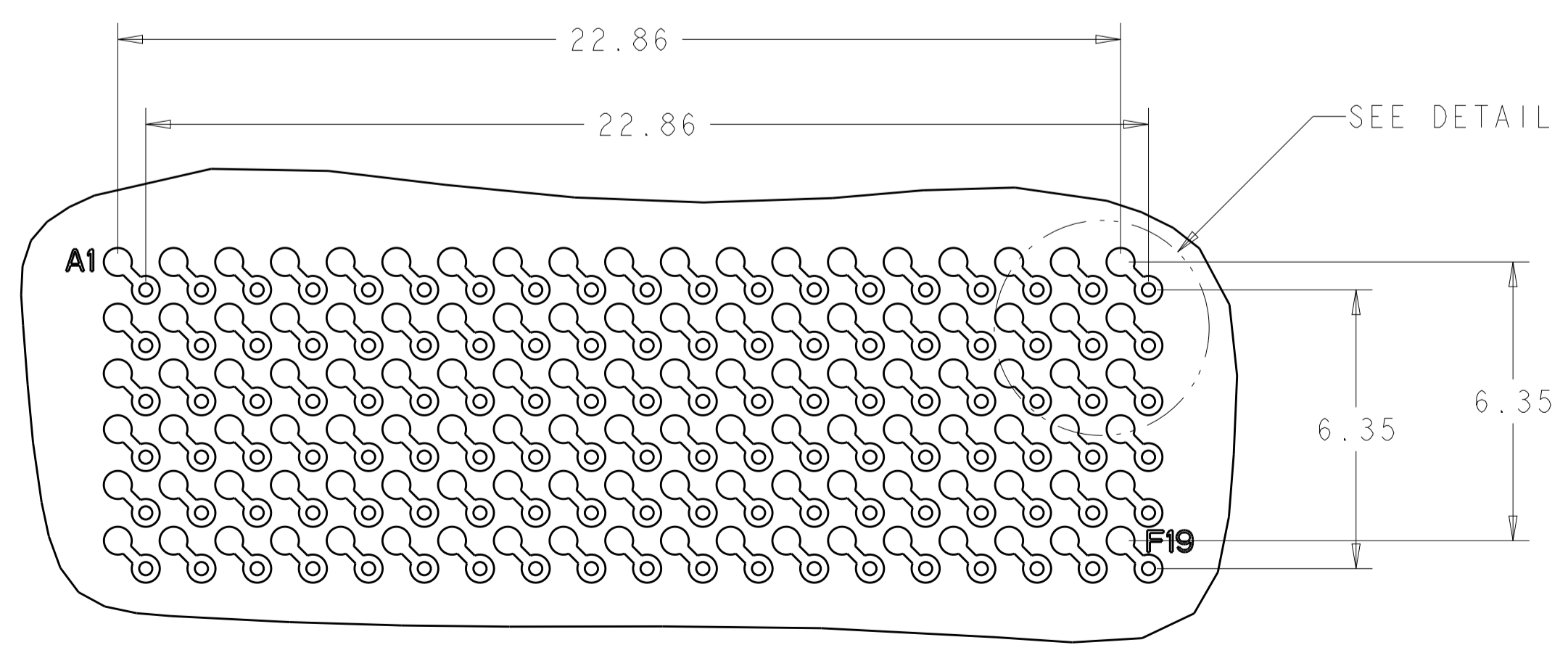
REVISIONS				
P.	LTM	DESCRIPTION	DATE	APP'D
K		REV PER ECO 18-010457	7-24-18	CT JC



0.08 OFFSET FROM CONTACT C/L TO SOLDER BALL C/L



- ⚠ MATERIAL: HOUSINGS; LCP, COLOR-NATURAL CONTACT; PHOSPHOR BRONZE SOLDER BALL; SEE TABLE TAPE, FILM; KAPTON WITH SILICON ADHESIVE
- ⚠ FINISH: CONTACT; GOLD (SEE TABLE) ON MATING AREA OVER NICKEL ON ENTIRE CONTACT.
- 3. PRODUCT IS PACKAGED ON TAPE AND REELED.



1-2102061-6	1-2102061-2	2102061-8	2102061-6	0.76 µm	LEAD FREE PER SAC405	2102060-4
1-2102061-5	1-2102061-1	2102061-7	2102061-5	0.76 µm	TIN LEAD	2102060-3
1-2102061-4	1-2102061-0	2102061-4	2102061-2	1.27 µm	LEAD FREE PER SAC405	2102060-2
1-2102061-3	2102061-9	2102061-3	2102061-1	1.27 µm	TIN LEAD	2102060-1
15mm STACK HEIGHT MATING CONNECTOR	18mm STACK HEIGHT MATING CONNECTOR	12mm STACK HEIGHT MATING CONNECTOR	10mm STACK HEIGHT MATING CONNECTOR	GOLD PLATING THICKNESS	SOLDER BALL MATERIAL	PART NUMBER

THIS DRAWING IS A CONTROLLED DOCUMENT.

OWN: G. DOWNEY 21 JUL 2009
 CHK: K. DOWHOWER 21 JUL 2009
 APVD: K. DOWHOWER 21 JUL 2009

DIMENSIONS: mm
 TOLERANCES UNLESS OTHERWISE SPECIFIED:
 0 PLC ±
 1 PLC ±0.13
 2 PLC ±
 3 PLC ±
 4 PLC ±
 ANGLES ±

MATERIAL: 1
 FINISH: 2

NAME: ASSEMBLY, PIN, 114 POSITION, MEZALOK STACKING CONNECTOR
 PRODUCT SPEC: 108-2411
 APPLICATION SPEC: 114-13279
 WEIGHT: -
 CUSTOMER DRAWING

SCALE: 8:1 SHEET 1 OF 1 REV K