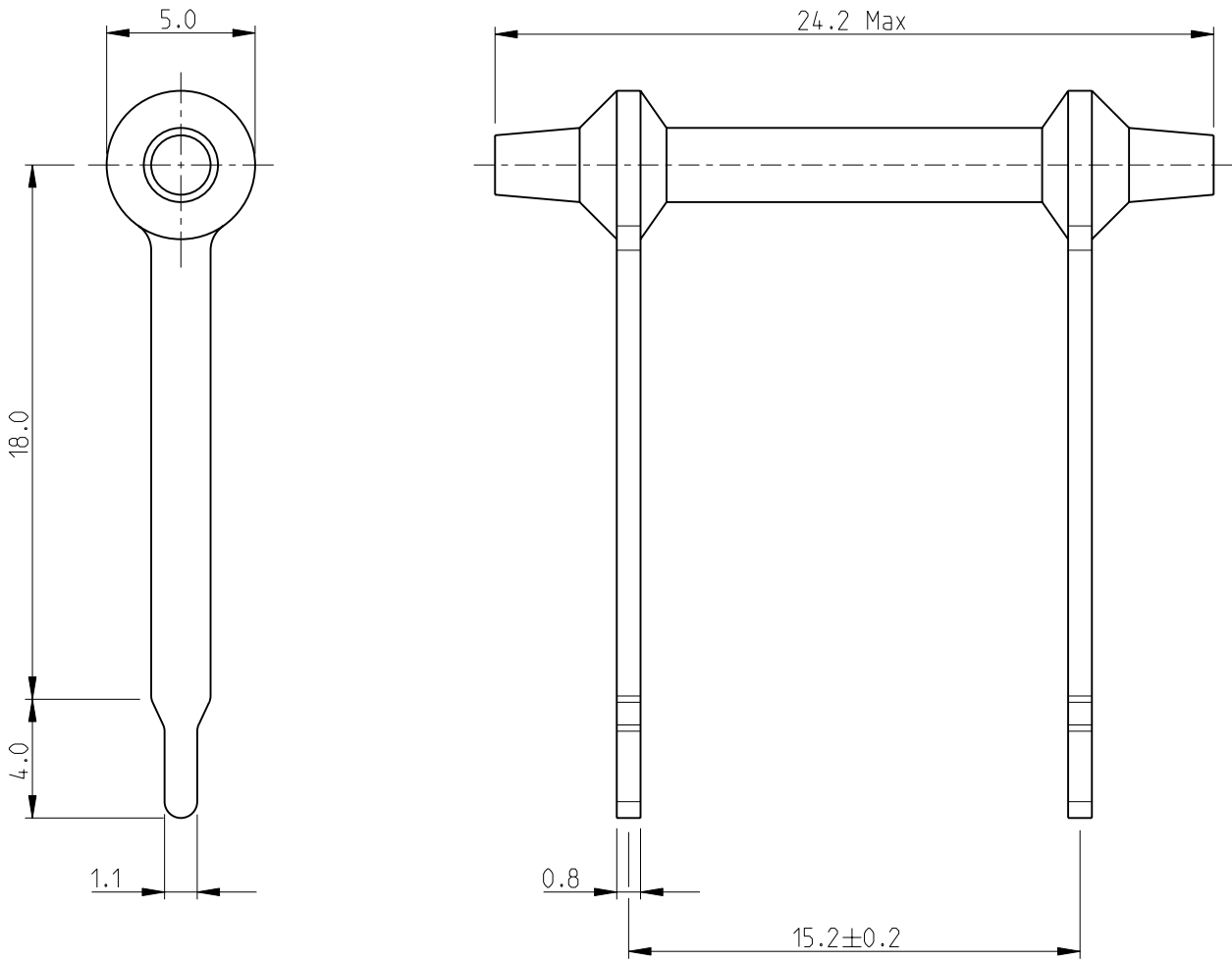
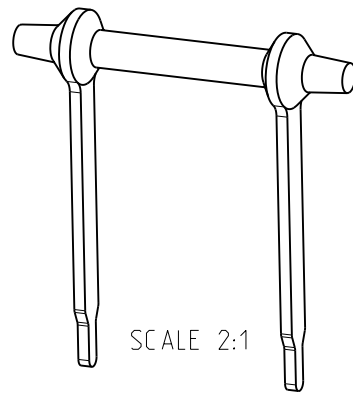


LOC	DIST	REVISIONS					
E	B	P	LTR	DESCRIPTION	DATE	DWN	APVD
		BA1		REVISED PER ECO-11-005150	29MAR2011	RK	HMR




FOR FURTHER INFORMATION SEE DATA SHEET FOR SERIES FC- HIGH POWER RESISTORS

RoHS Compliant



2009  
 RELEASED FOR PUBLICATION  
 ALL RIGHTS RESERVED.  
 BY -  
 COPYRIGHT 2009  
 THIS DRAWING IS UNPUBLISHED.

DIMENSIONS: mm	DWN	SUBHASH.M	05-AUG-09	MATERIAL	-	FINISH	-
	CHK	ALLAN.P	05-AUG-09	APVD	STEPHEN.P	05-AUG-09	
TOLERANCES UNLESS OTHERWISE SPECIFIED:	0 PLC	± 0.5	PRODUCT SPEC	NAME	 TE Connectivity		
	1 PLC	± 0.2					
2 PLC	± 0.1	APPLICATION SPEC	-	HIGH POWER RESISTORS			
3 PLC	± -			SERIES FCB4 (HIGH PROFILE STANDOFF)			
4 PLC	± -	WEIGHT	-	SIZE	CAGE CODE	DRAWING NO	RESTRICTED TO
ANGLES	± 5°			A 4	00779	© = 1623714	-
CUSTOMER DRAWING				SCALE	4:1	SHEET	1 OF 1
				REV BA1			

# Mouser Electronics

Authorized Distributor

Click to View Pricing, Inventory, Delivery & Lifecycle Information:

[TE Connectivity:](#)

[FCB4150RJ](#)