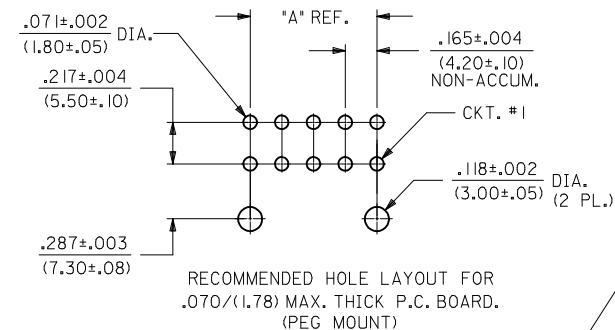
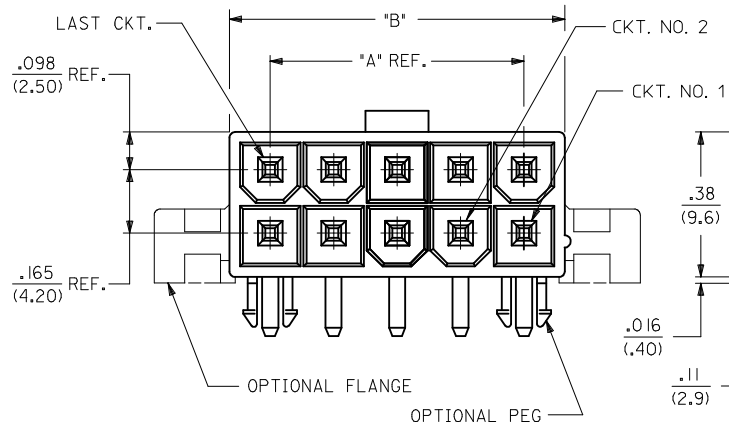


RECOMMENDED HOLE LAYOUT FOR
.070/(1.78) MAX. THICK P.C. BOARD.
(FLANGE MOUNT)

| CIRCUIT SIZE | DIM. "A" | DIM. "B" | DIM. "C" | DIM. "D" |
|--------------|------------------|------------------|------------------|------------------|
| 2 | N.A. | .213 (5.40) | .354 (9.00) | .606 (15.40) |
| 4 | .165 (4.20) | .378 (9.60) | .520 (13.20) | .772 (19.60) |
| 6 | .331 (8.40) | .543 (13.80) | .685 (17.40) | .937 (23.80) |
| 8 | .496 (12.60) | .709 (18.00) | .850 (21.60) | 1.102 (28.00) |
| 10 | .661 (16.80) | .874 (22.20) | 1.016 (25.80) | 1.268 (32.20) |
| 12 | .827 (21.00) | 1.039 (26.40) | 1.181 (30.00) | 1.433 (36.40) |
| 14 | .992 (25.20) | 1.205 (30.60) | 1.346 (34.20) | 1.598 (40.60) |
| 16 | 1.157 (29.40) | 1.370 (34.80) | 1.512 (38.40) | 1.764 (44.80) |
| 18 | 1.323 (33.60) | 1.535 (39.00) | 1.677 (42.60) | 1.929 (49.00) |
| 20 | 1.488 (37.80) | 1.701 (43.20) | 1.843 (46.80) | 2.094 (53.20) |
| 22 | 1.654 (42.00) | 1.866 (47.40) | 2.008 (51.00) | 2.260 (57.40) |
| 24 | 1.819 (46.20) | 2.031 (51.60) | 2.173 (55.20) | 2.425 (61.60) |



RECOMMENDED HOLE LAYOUT FOR
.070/(1.78) MAX. THICK P.C. BOARD.
(PEG MOUNT)

NOTES:

- HOUSING MATERIAL:
"A" - NYLON 6/6, U.L. 94V-2, COLOR: NATURAL.
"B" - NYLON 6/6, U.L. 94V-0, COLOR: NATURAL.
- TERMINAL MATERIAL: BRASS
- PART MATES WITH MINI-FIT JR. RECEPTACLE #5557.
- PACKAGING SPECIFICATION: BULK PACKED PER PK-5569-002 TRAY PACKED PER PK-5569-003
- TERMINAL PLATING:
"D" - .000030/(0.00076) MIN. SELECT GOLD AND .000100/(0.00254) MIN. SELECT MATTE TIN OVER .000050/(0.00127) MIN. NICKEL OVERALL.
"E" - .000100/(0.00254) MIN. MATTE TIN OVER .000050/(0.00127) MIN. NICKEL OVERALL.
- MOUNTING OPTIONS:
"1" - PEGS
"2" - FLANGES
- THIS PART CONFORMS TO CLASS B REQUIREMENT OF COSMETIC SPECIFICATION PS-45499-002.
- PRODUCT SPECIFICATION: PS-5556-001.

- FORMING MARKS ARE ACCEPTABLE
- DISCOLORATION IN THE BANDOLIER CARRIER AREA OF THE PIN IS INHERENT TO THE PLATING PROCESS AND IS DUE TO THE MASKING EFFECT OF THE CARRIER. THIS DISCOLORATION IS IN A NON-FUNCTIONAL AREA OF THE PIN AND WILL NOT AFFECT THE PERFORMANCE OF THE HEADER ASSEMBLY.
- CORNER CORE-OUTS ARE OPTIONAL AND MAY OR MAY NOT BE PRESENT
- TEXT ON PART IS FOR REFERENCE ONLY. TEXT AND TEXT LOCATION MAY VARY DEPENDING ON PART NUMBER AND/OR TOOL.

11
4 PLACES
APPLIES TO ALL CIRCUIT SIZES
BOTH PEGGED AND FLANGED

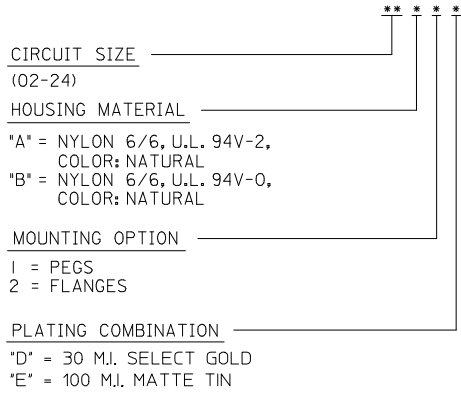
| | | |
|---|-------------|-----------------|
| ADD BACK VIEW EC NO: UCP2017-0438 DRAWNCSLAFTER 2016/08/23 CHKD: APPR:FSMITH 2016/09/121 REV | DESCRIPTION | QUALITY SYMBOLS |
| | | ▽=0 |
| | | ▽=0 |
| | | ▽=0 |

| | | | | |
|--|-----------------|--------------|--------------|--|
| GENERAL TOLERANCES (UNLESS SPECIFIED) | DIMENSION STYLE | SCALE | DESIGN UNITS | THIRD ANGLE PROJECTION |
| | IN/MM | 4:1 | METRIC | |
| 4 PLACES ± --- | mm | DRAWN BY | DATE | TITLE |
| 3 PLACES ± --- | INCH | FRY | 12/28/92 | SELECTIVELY-LOADED RIGHT ANGLE HEADER ASSEMBLY. (MINI-FIT, JR. SERIES) |
| 2 PLACES ± 0.38 | | CHECKED BY | DATE | |
| 1 PLACE ± --- | | FRY | 12/28/92 | |
| 0 PLACE ± | | APPROVED BY | DATE | |
| | | FSMITH | 2012/02/02 | |
| ANGULAR ±1/2° | MATERIAL NO. | DOCUMENT NO. | SHEET NO. | |
| DRAFT WHERE APPLICABLE MUST REMAIN WITHIN DIMENSIONS | SEE SHEET 2 | SDA-43215-* | 1 OF 2 | |

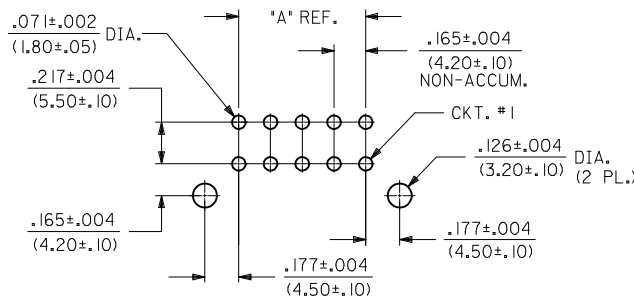
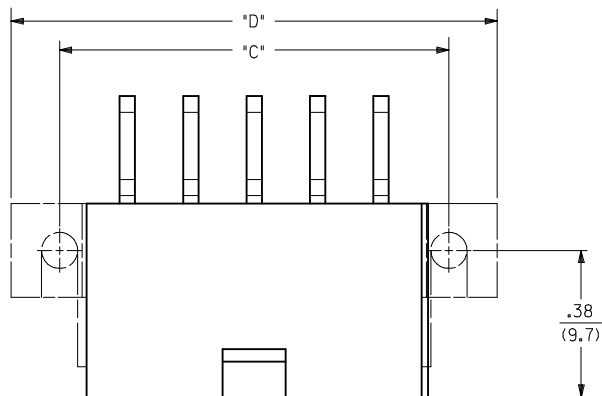
| | |
|------|---|
| SIZE | THIS DRAWING CONTAINS INFORMATION THAT IS PROPRIETARY TO MOLEX INCORPORATED AND SHOULD NOT BE USED WITHOUT WRITTEN PERMISSION |
|------|---|

| ITEM NO. | CKT. SIZE | CHARACTERISTIC DESCRIPTION | HOUSING OPTION | PLATING | LETTER INDICATES PIN PLATING REQUIRED AT EACH CIRCUIT LOCATION. "-" = VOID CIRCUIT. SEE NOTE 5 ON SHEET 1. | | | | | | | | | | | | | | | | | | | | | | | | DIM | "E" REF. | PACKAGING |
|------------|-----------|----------------------------|----------------|---------|--|---|---|---|---|---|---|---|---|----|----|----|----|----|----|----|----|----|----|----|----|----|----|---------------|--------------|----------|-----------|
| | | | | | 1 | 2 | 3 | 4 | 5 | 6 | 7 | 8 | 9 | 10 | 11 | 12 | 13 | 14 | 15 | 16 | 17 | 18 | 19 | 20 | 21 | 22 | 23 | 24 | | | |
| 43215-0002 | 08 | 08A1E | PEGS | E | E | - | - | E | E | - | - | E | - | - | - | - | - | - | - | - | - | - | - | - | - | - | - | - | .13 (3.5) | BULK | |
| 43215-0016 | 08 | 08B1E | PEGS | E | E | - | E | E | E | - | E | E | - | - | - | - | - | - | - | - | - | - | - | - | - | - | - | .13 (3.5) | TRAY | | |
| 43215-0017 | 14 | 14B2D | FLANGE | D | D | D | D | D | D | D | D | D | D | D | D | D | D | D | - | - | - | - | - | - | - | - | - | .43 (11.0) | BULK | | |
| 43215-0019 | 04 | 04B1E | PEGS | E | E | - | E | E | - | - | - | - | - | - | - | - | - | - | - | - | - | - | - | - | - | - | - | .13 (3.5) | TRAY | | |
| 43215-0020 | 06 | 06B1D | PEGS | D | D | - | D | - | D | - | - | - | - | - | - | - | - | - | - | - | - | - | - | - | - | - | - | .13 (3.5) | TRAY | | |
| 43215-0021 | 04 | 04B1D | PEGS | D | D | - | - | D | - | - | - | - | - | - | - | - | - | - | - | - | - | - | - | - | - | - | - | .13 (3.5) | TRAY | | |

CHARACTERISTICS LEGEND:

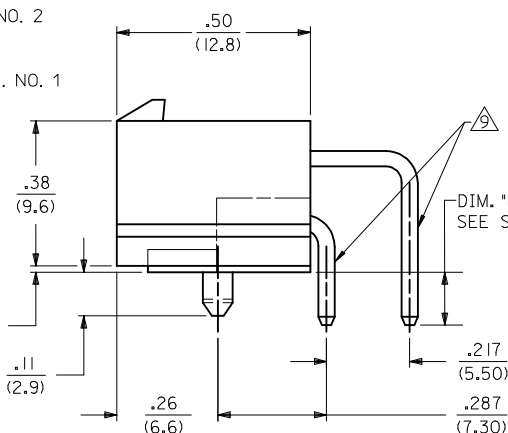
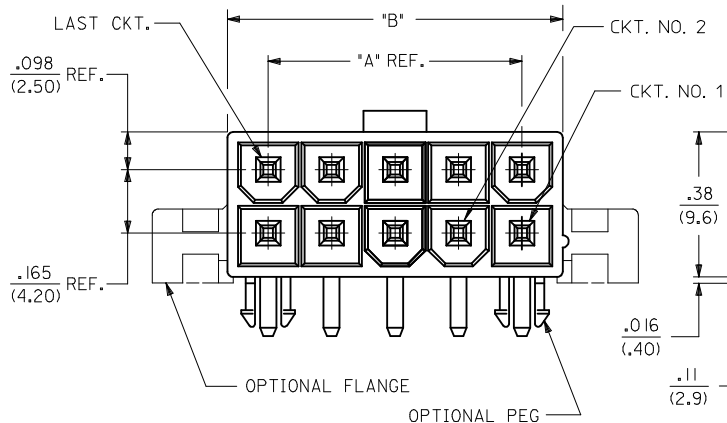


| | | | | | | |
|--|--|---|------------------|--|--------------|------------------------|
| SEE SHEET 1 EC NO: UCP2017-0438 DRWING: SLAFTER 2016/08/23 CHKD: F5 APPR: FSMITH 2016/09/21 | QUALITY SYMBOLS | GENERAL TOLERANCES (UNLESS SPECIFIED) | DIMENSION STYLE | SCALE | DESIGN UNITS | THIRD ANGLE PROJECTION |
| | ▽=0 | mm INCH | IN/MM | 1:1 | METRIC | ☉ |
| | ▽=0 | 4 PLACES ± --- ± --- | DRAWN BY DATE | TITLE | | |
| | ▽=0 | 3 PLACES ± --- ± .15 | CHECKED BY DATE | SELECTIVELY-LOADED RIGHT ANGLE HEADER ASSEMBLY. (MINI-FIT, JR. SERIES) | | |
| | ▽=0 | 2 PLACES ± 0.38 ± --- | APPROVED BY DATE | | | |
| ▽=0 | 1 PLACE ± --- ± --- | FSMITH 2012/02/02 | | | | |
| | 0 PLACE ± ± | MATERIAL NO. | DOCUMENT NO. | SHEET NO. | | |
| | ANGULAR ±1/2° | SEE CHART | SDA-43215-* | 2 OF 2 | | |
| | DRAFT WHERE APPLICABLE MUST REMAIN WITHIN DIMENSIONS | THIS DRAWING CONTAINS INFORMATION THAT IS PROPRIETARY TO MOLEX INCORPORATED AND SHOULD NOT BE USED WITHOUT WRITTEN PERMISSION | | | | |



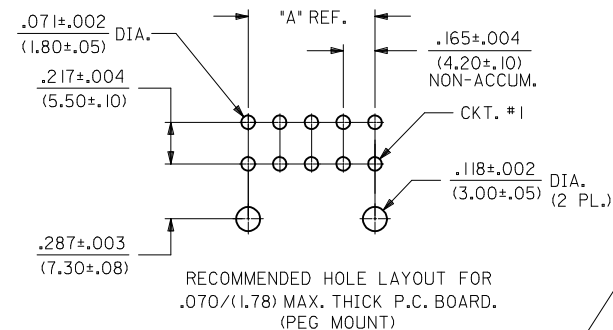
RECOMMENDED HOLE LAYOUT FOR
.070/(1.78) MAX. THICK P.C. BOARD.
(FLANGE MOUNT)

| CIRCUIT SIZE | DIM. "A" | DIM. "B" | DIM. "C" | DIM. "D" |
|--------------|------------------|------------------|------------------|------------------|
| 2 | N.A. | .213 (5.40) | .354 (9.00) | .606 (15.40) |
| 4 | .165 (4.20) | .378 (9.60) | .520 (13.20) | .772 (19.60) |
| 6 | .331 (8.40) | .543 (13.80) | .685 (17.40) | .937 (23.80) |
| 8 | .496 (12.60) | .709 (18.00) | .850 (21.60) | 1.102 (28.00) |
| 10 | .661 (16.80) | .874 (22.20) | 1.016 (25.80) | 1.268 (32.20) |
| 12 | .827 (21.00) | 1.039 (26.40) | 1.181 (30.00) | 1.433 (36.40) |
| 14 | .992 (25.20) | 1.205 (30.60) | 1.346 (34.20) | 1.598 (40.60) |
| 16 | 1.157 (29.40) | 1.370 (34.80) | 1.512 (38.40) | 1.764 (44.80) |
| 18 | 1.323 (33.60) | 1.535 (39.00) | 1.677 (42.60) | 1.929 (49.00) |
| 20 | 1.488 (37.80) | 1.701 (43.20) | 1.843 (46.80) | 2.094 (53.20) |
| 22 | 1.654 (42.00) | 1.866 (47.40) | 2.008 (51.00) | 2.260 (57.40) |
| 24 | 1.819 (46.20) | 2.031 (51.60) | 2.173 (55.20) | 2.425 (61.60) |

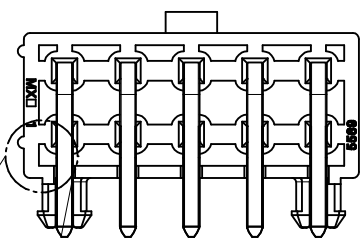


NOTES:

- HOUSING MATERIAL:
"A" - NYLON 6/6, U.L. 94V-2, COLOR: NATURAL.
"B" - NYLON 6/6, U.L. 94V-0, COLOR: NATURAL.
- TERMINAL MATERIAL: BRASS
- PART MATES WITH MINI-FIT JR. RECEPTACLE #5557.
- PACKAGING SPECIFICATION: BULK PACKED PER PK-5569-002
TRAY PACKED PER PK-5569-003
- TERMINAL PLATING:
"D" - .000030/(0.00076) MIN. SELECT GOLD AND .000100/(0.00254) MIN. SELECT MATTE TIN OVER .000050/(0.00127) MIN. NICKEL OVERALL.
"E" - .000100/(0.00254) MIN. MATTE TIN OVER .000050/(0.00127) MIN. NICKEL OVERALL.
- MOUNTING OPTIONS:
"1" - PEGS
"2" - FLANGES
- THIS PART CONFORMS TO CLASS B REQUIREMENT OF COSMETIC SPECIFICATION PS-45499-002.
- PRODUCT SPECIFICATION: PS-5556-001.



RECOMMENDED HOLE LAYOUT FOR
.070/(1.78) MAX. THICK P.C. BOARD.
(PEG MOUNT)



11
4 PLACES
APPLIES TO ALL CIRCUIT SIZES
BOTH PEGGED AND FLANGED

| | |
|--|--------------------------------------|
| ADD BACK VIEW EC NO: UCP2017-0438 DRAWNCSLAFTER 2016/08/23 CHKD: APPR:FSMITH 2016/09/121 | QUALITY SYMBOLS ▽=0 ▽=0 ▽=0 |
|--|--------------------------------------|

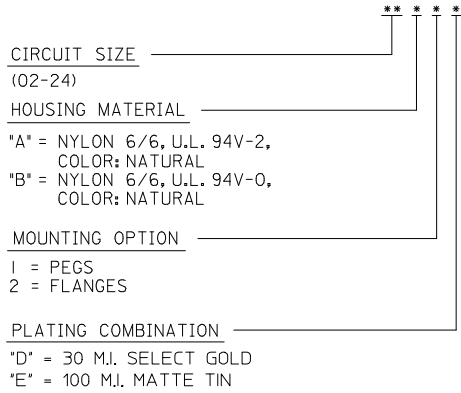
| | |
|---------------------------------------|--|
| GENERAL TOLERANCES (UNLESS SPECIFIED) | DIMENSION STYLE IN/MM |
| 4 PLACES ± --- | DRAWN BY DATE FRY 12/28/92 |
| 3 PLACES ± --- ±.15 | CHECKED BY DATE FRY 12/28/92 |
| 2 PLACES ± 0.38 | APPROVED BY DATE FSMITH 2012/02/02 |
| 1 PLACE ± --- | MATERIAL NO. |
| 0 PLACE ± | SEE SHEET 2 |
| ANGULAR ±1/2° | DRAFT WHERE APPLICABLE MUST REMAIN WITHIN DIMENSIONS |

| | | |
|--------------|------------------------|------------------------|
| SCALE 4:1 | DESIGN UNITS METRIC | THIRD ANGLE PROJECTION |
|--------------|------------------------|------------------------|

| | |
|---|---------------------|
| SELECTIVELY-LOADED RIGHT ANGLE HEADER ASSEMBLY. (MINI-FIT, JR. SERIES) | |
| molex | |
| DOCUMENT NO. SDA-43215-* | SHEET NO. 1 OF 2 |
| THIS DRAWING CONTAINS INFORMATION THAT IS PROPRIETARY TO MOLEX INCORPORATED AND SHOULD NOT BE USED WITHOUT WRITTEN PERMISSION | |

| ITEM NO. | CKT. SIZE | CHARACTERISTIC DESCRIPTION | HOUSING OPTION | PLATING | LETTER INDICATES PIN PLATING REQUIRED AT EACH CIRCUIT LOCATION. "-" = VOID CIRCUIT. SEE NOTE 5 ON SHEET 1. | | | | | | | | | | | | | | | | | | | | | | | | DIM | "E" REF. | PACKAGING |
|------------|-----------|----------------------------|----------------|---------|--|---|---|---|---|---|---|---|---|----|----|----|----|----|----|----|----|----|----|----|----|----|--------------|---------------|--------------|----------|-----------|
| | | | | | 1 | 2 | 3 | 4 | 5 | 6 | 7 | 8 | 9 | 10 | 11 | 12 | 13 | 14 | 15 | 16 | 17 | 18 | 19 | 20 | 21 | 22 | 23 | 24 | | | |
| 43215-0002 | 08 | 08A1E | PEGS | E | E | - | - | E | E | - | - | E | - | - | - | - | - | - | - | - | - | - | - | - | - | - | - | - | .13 (3.5) | BULK | |
| 43215-0016 | 08 | 08B1E | PEGS | E | E | - | E | E | E | - | E | E | - | - | - | - | - | - | - | - | - | - | - | - | - | - | - | .13 (3.5) | TRAY | | |
| 43215-0017 | 14 | 14B2D | FLANGE | D | D | D | D | D | D | D | D | D | D | D | D | D | D | D | - | - | - | - | - | - | - | - | - | .43 (11.0) | BULK | | |
| 43215-0019 | 04 | 04B1E | PEGS | E | E | - | E | E | - | - | - | - | - | - | - | - | - | - | - | - | - | - | - | - | - | - | .13 (3.5) | TRAY | | | |
| 43215-0020 | 06 | 06B1D | PEGS | D | D | - | D | - | D | - | - | - | - | - | - | - | - | - | - | - | - | - | - | - | - | - | .13 (3.5) | TRAY | | | |
| 43215-0021 | 04 | 04B1D | PEGS | D | D | - | - | D | - | - | - | - | - | - | - | - | - | - | - | - | - | - | - | - | - | - | .13 (3.5) | TRAY | | | |

CHARACTERISTICS LEGEND:



| | | | | | | |
|--|---------------------|---|------------------|--|--------------|------------------------|
| SEE SHEET 1 EC NO: UCP2017-0438 DRW:CSLAFTER 2016/08/23 CHKD: F5 APPR:FSMITH 2016/09/21 | QUALITY SYMBOLS | GENERAL TOLERANCES (UNLESS SPECIFIED) | DIMENSION STYLE | SCALE | DESIGN UNITS | THIRD ANGLE PROJECTION |
| | ▽=0 | mm INCH | IN/MM | 1:1 | METRIC | ☉ |
| | ▽=0 | 4 PLACES ± --- ± --- | DRAWN BY DATE | TITLE | | |
| | ▽=0 | 3 PLACES ± --- ±.15 | CHECKED BY DATE | SELECTIVELY-LOADED RIGHT ANGLE HEADER ASSEMBLY. (MINI-FIT, JR. SERIES) | | |
| | ▽=0 | 2 PLACES ± 0.38 ± --- | APPROVED BY DATE | | | |
| | 1 PLACE ± --- ± --- | MATERIAL NO. | SEE CHART | DOCUMENT NO. | SHEET NO. | |
| | 0 PLACE ± ± | ANGULAR ±1/2° | | SDA-43215-* | | 2 OF 2 |
| DRAFT WHERE APPLICABLE MUST REMAIN WITHIN DIMENSIONS | | THIS DRAWING CONTAINS INFORMATION THAT IS PROPRIETARY TO MOLEX INCORPORATED AND SHOULD NOT BE USED WITHOUT WRITTEN PERMISSION | | | | |

Mouser Electronics

Authorized Distributor

Click to View Pricing, Inventory, Delivery & Lifecycle Information:

[Molex:](#)

[43215-0015](#)