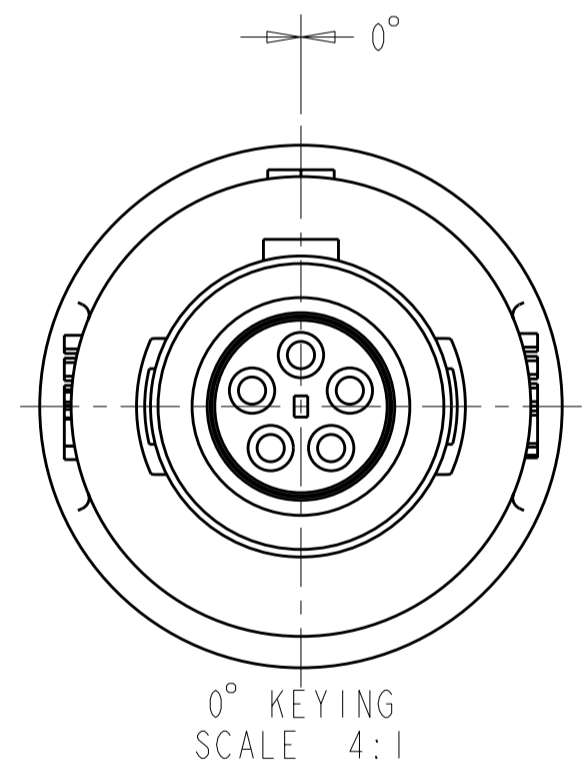
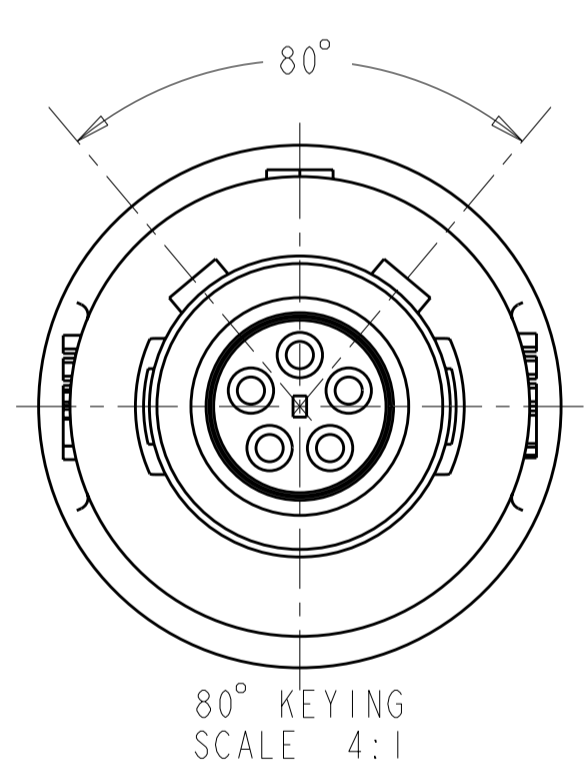
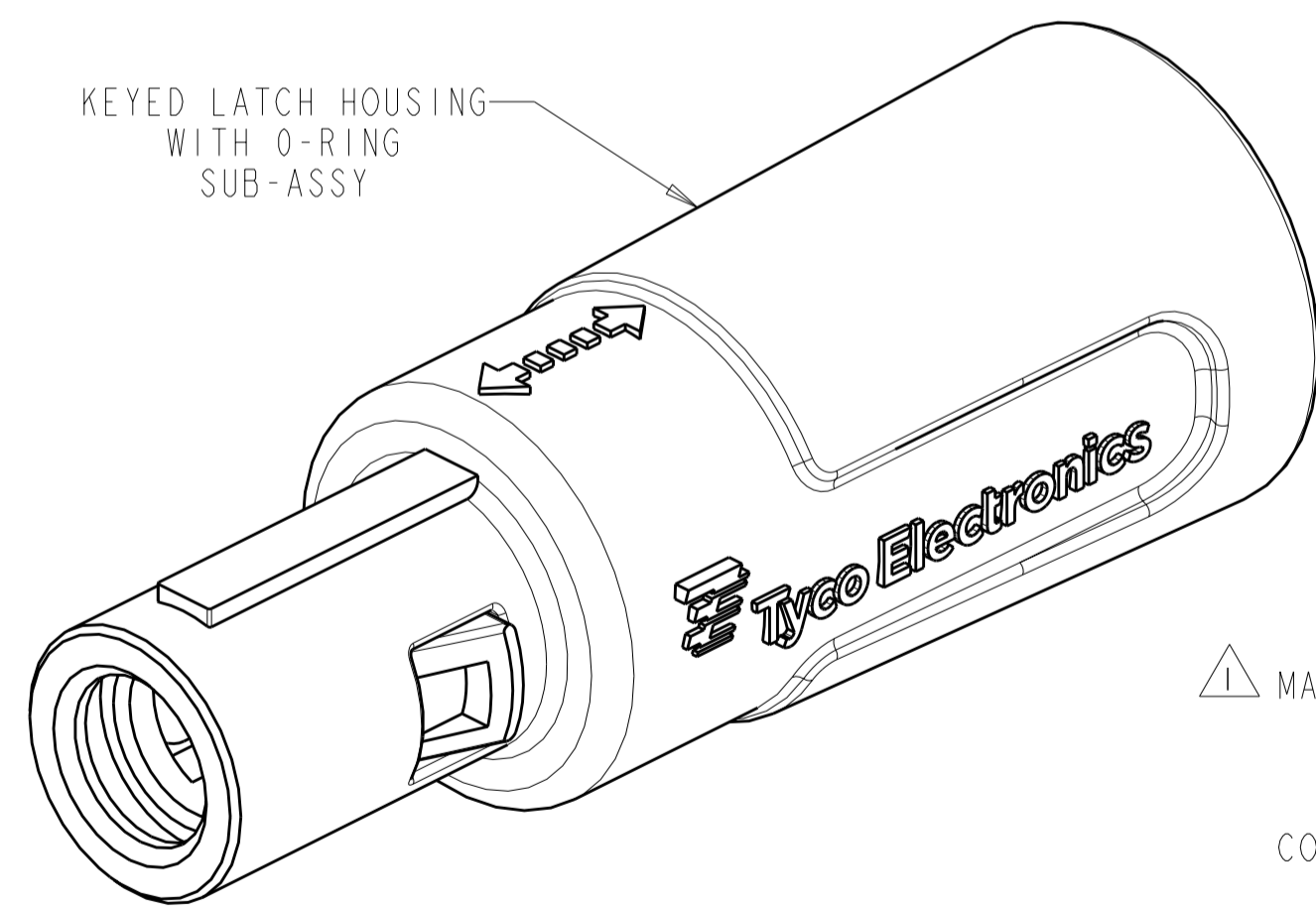
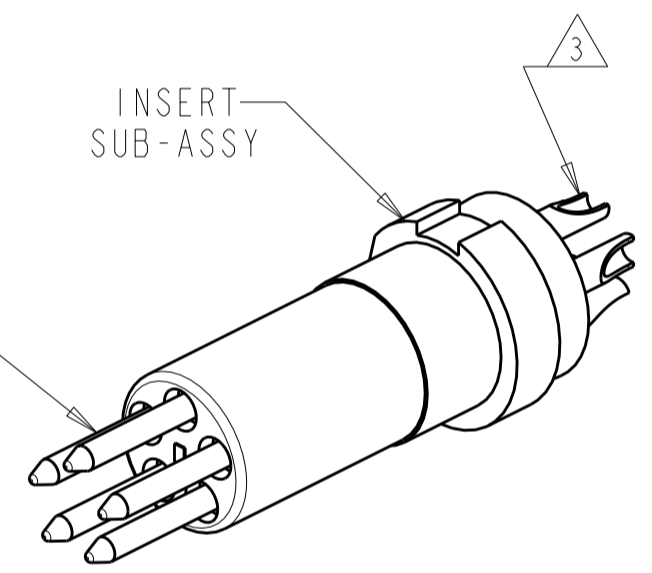
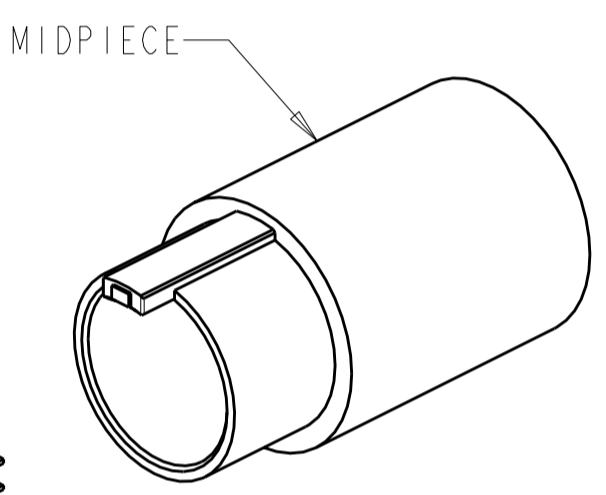
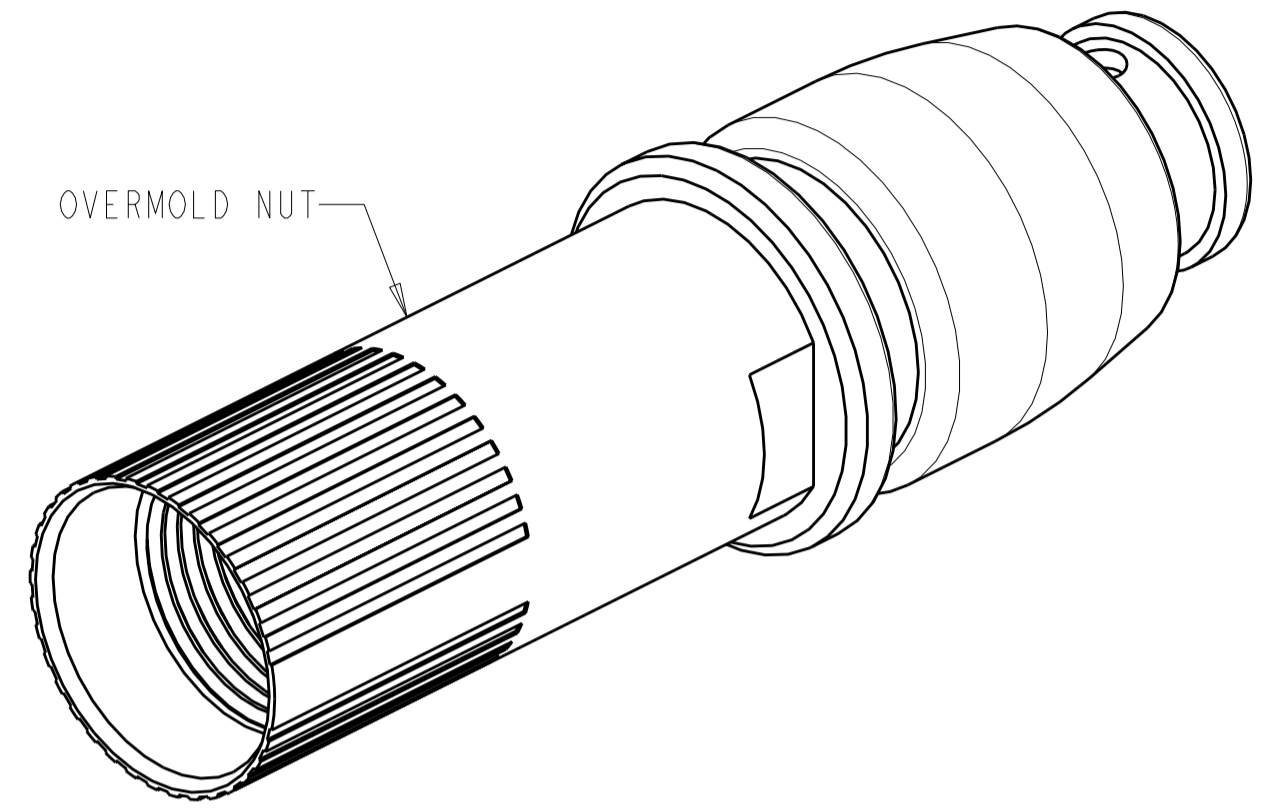
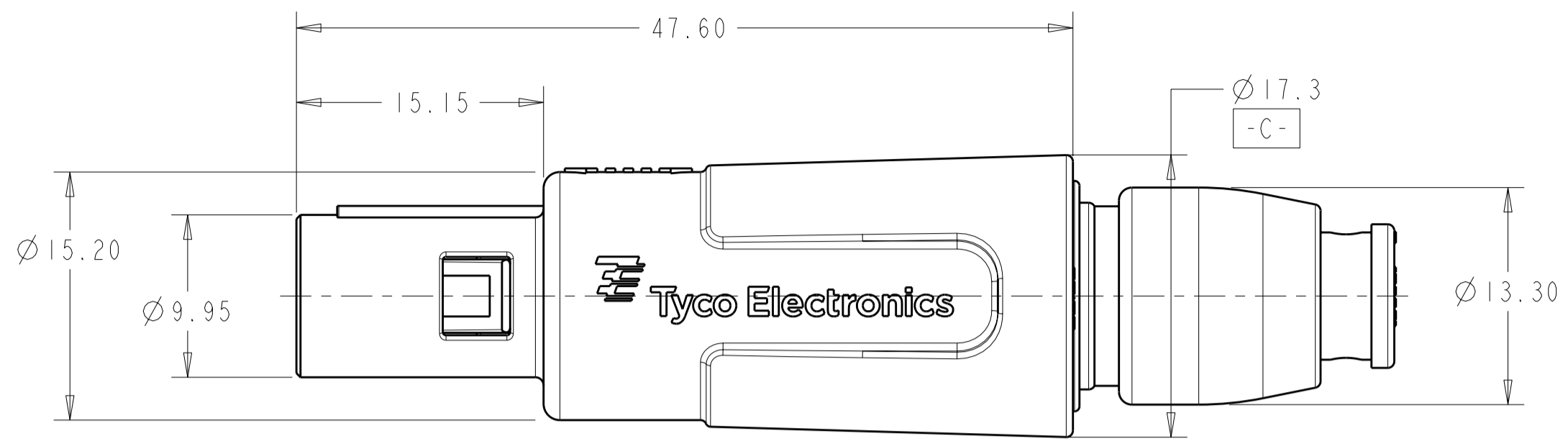


THIS DRAWING IS UNPUBLISHED. RELEASED FOR PUBLICATION 20  
 © COPYRIGHT 20 BY TYCO ELECTRONICS CORPORATION. ALL RIGHTS RESERVED.

LOC		DIST		REVISIONS			
P	LTR	DESCRIPTION	DATE	DWN	APVD		
AD	00						
	A2	REVISED PER ECO-08-022187	06SEP2008	HMR	DR		



- 1 MATERIAL:  
 CONTACT: BRASS  
 LATCH HOUSING, INSERT, MIDPIECE, NUT:  
 UL 94V-0 RATED THERMOPLASTIC  
 COLOR:  
 MIDPIECE AND INSERT: GRAY  
 LATCH HOUSING AND OVERMOLD NUT: SEE TABLE  
 O-RING: BLACK
- 2 FINISH:  
 CONTACT, 0.75µm MIN. GOLD OVER NICKEL
- 3 SOLDER TERMINATION CONTACT, 22 AWG WIRE MAX.
- 4. PRODUCT IS SUPPLIED UNASSEMBLED

GRAY	80°	1811797-4
GRAY	0°	1811797-3
BLACK	80°	1811797-2
BLACK	0°	1811797-1
LATCH HOUSING AND NUT COLOR	KEYING	PART NO.

THIS DRAWING IS A CONTROLLED DOCUMENT FOR TYCO ELECTRONICS CORPORATION. IT IS SUBJECT TO CHANGE AND THE CONTROLLING ENGINEERING ORGANIZATION SHOULD BE CONTACTED FOR THE LATEST REVISION.		DWN R.L. KOLLER 18 JUL 2005	Tyco Electronics Harrisburg, PA 17105-3608	
DIMENSIONS: mm		CHK L. BREKOSKY 21 JUL 2005	NAME 5 POSITION OVERMOLD CABLE NUT STRAIGHT PLUG ASSEMBLY	
TOLERANCES UNLESS OTHERWISE SPECIFIED: 0 PLC ± 1 PLC ±0.13 2 PLC ±0.08 3 PLC ± 4 PLC ± ANGLES ±1° FINISH		APVD -	PRODUCT SPEC 108-2249	RESTRICTED TO -
MATERIAL		APPLICATION SPEC 114-13184	SIZE A2	CAGE CODE 00779
1		WEIGHT -	DRAWING NO. 1811797	REV A2
2		CUSTOMER DRAWING		SCALE 4:1 SHEET 1 OF 1

# Mouser Electronics

Authorized Distributor

Click to View Pricing, Inventory, Delivery & Lifecycle Information:

[TE Connectivity:](#)

[1811797-3](#)