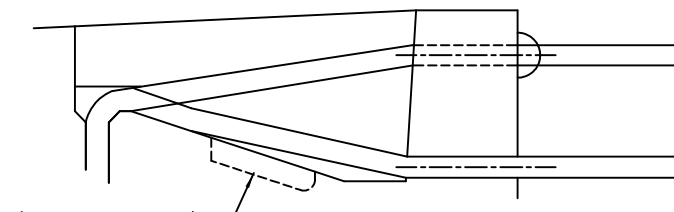


DETAIL B -90° ROTATED
(OPTIONAL DESIGN
BERG TAIWAN ONLY)



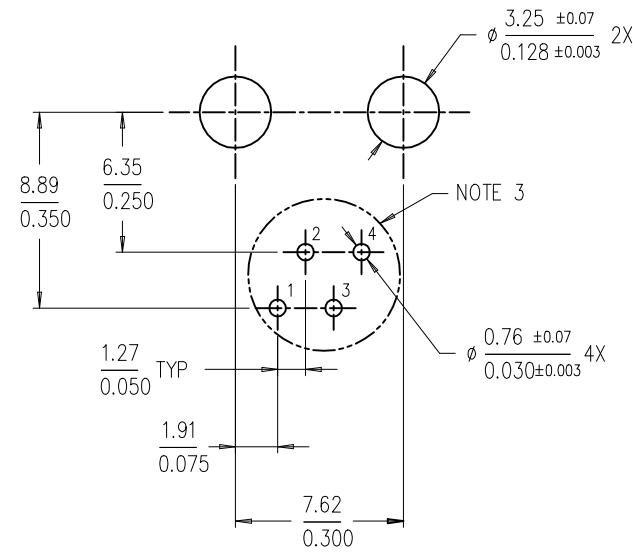
DETAIL C

mat'l. code				surface	tolerance	projection	product family		
				ISO1302	ISO1101 ISO406		MOD JACK		
ltr	ecn no	dr	date	tolerances unless otherwise specified		mm	title		
N	S90142	JSR	10/4/'99	angles	0.X±0.3	mm	4 POS VERTICAL		
P	N05-0002	YS	01/06/05	flat	0.XX±0.15	mm	P.C.B. MOD JACK ASSY		
R	N08-0170	SH MAO	10/10/08	0°±2'	0.XXX±0.05	scale 2.0	dwg no sheet 1 of 2 size		
S	N09-0092	SH MAO	05/25/09	dr	C L FENG	02/21/97	69253		A4
T	ELX-N-010701	SH MAO	03/14/12	engr	TONY CHIEN	02/21/97	type Product Customer Drawing		
U	ELX-N-21224	J.H	06/24/15	chr	TONY CHIEN	02/21/97			
V	ELX-N-45419	YS	03/24/'22	appd	JENN TSAO	02/21/97			
sheet	revision	v	v						
index	sheet	1	2						

PRODUCT NO.	POSITIONS LOADED	CONTACT PLATING	HOUSING COLOR	NOTES
69253-001 -001LF -011LF	ALL	5u" Au	BLACK	-
-002 -002LF -012LF	ALL	5u" Au	BLACK	-
-003 -003LF -013LF	ALL	5u" Au	BLACK	NOTE 1
-004 -004LF -014LF	ALL	50u" /1,27u GXT	BLACK	-
-005 -005LF -015LF	ALL	5u" Au	GREY	-
-006 -006LF -016LF	ALL	15u" GXT	BLACK	-
-202 -202LF -212LF	ALL	5u" Au	BLACK	-
-001S -001SLF -011SLF	ALL	5u" Au	BLACK	Tape/Reel

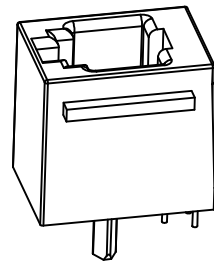
NOTE :

- ① SPECIAL PACKAGING.
- 2 GXT IS 0,76um / 30u" OR 0,28um / 15u" MIN GXT WITH Au FLASH OVER 1,27um / 50u" MIN Ni.
- ③ THIS PIN NUMBERING IS OPPOSITE TO FCC, PART 68, SUBPART F REQUIRMENTS.
- 4 THIS PRODUCT MEETS EUROPEAN UNION DIRECTIVES AND OTHER COUNTRY REGULATIONS AS DESCRIBED IN GS-22-008.
- 5 THE HOUSING WILL WITHSTAND EXPOSURE TO 260°C PEAK TEMPERATURE FOR 10 SECONDS IN A WAVE SOLDER APPLICATION WITH A 1.6mm MINIMUM THICK CIRCUIT BOARD.
- 6 IF LF P/N PACKAGING MEETS GS-14-920 SPECIFICATION.
- ⑦ PLATING OPTIONS:
MAY BE EITHER GOLD OR GXT PLATED AT MANUFACTURER'S OPTION.
- 8 PART NUMBER:
69253-XXXXLF

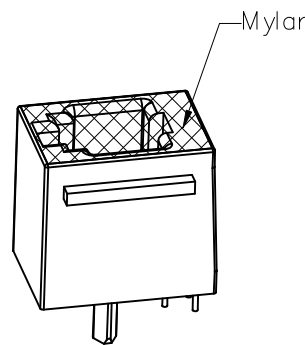


BOARD LAYOUT VIEWED FROM TOP

- LEAD FREE PRODUCT NO.
- Blank: Without Mylar
- S: With Mylar; tape and reel package
- SEE TABLE
- 0: MEETS WAVE SOLDER PROCESS PRODUCT NO.
- 1: MEETS PIP PROCESS PRODUCT NO.
- 0: TAIL LENGTH=3.18/.125.
- 2: TAIL LENGTH=4.00/.157.



69253-XXXXLF



69253-XXXXSLF

mat'l. code				surface ISO1302 ✓		tolerance ISO1101 ISO406		projection mm		product family MOD JACK			
ltr				ecn no		dr		date		tolerances unless otherwise specified		title	
N				S90142		JSR		10/4/'99		0.X±0.3		4 POS VERTICAL	
P				N05-0002		YS		01/06/05		0.XX±0.15		P.C.B. MOD JACK ASSY	
R				N08-0170		SH MIAO		10/10/08		0'±2'		scale 2.0	
S				N09-0092		SH MIAO		05/25/09		dr		C L FENG 02/21/97	
T				ELX-N-010701		SH MIAO		03/14/12		engr		TONY CHIEN 02/21/97	
U				ELX-N-21224		J.H		06/24/15		chr		TONY CHIEN 02/21/97	
V				ELX-N-45419		YS		03/24/'22		appd		JENN TSAO 02/21/97	
sheet		revision		v		v							
index		sheet		1		2							
dwg no				sheet 2 of 2				size		A4			
type				Product Customer Drawing									