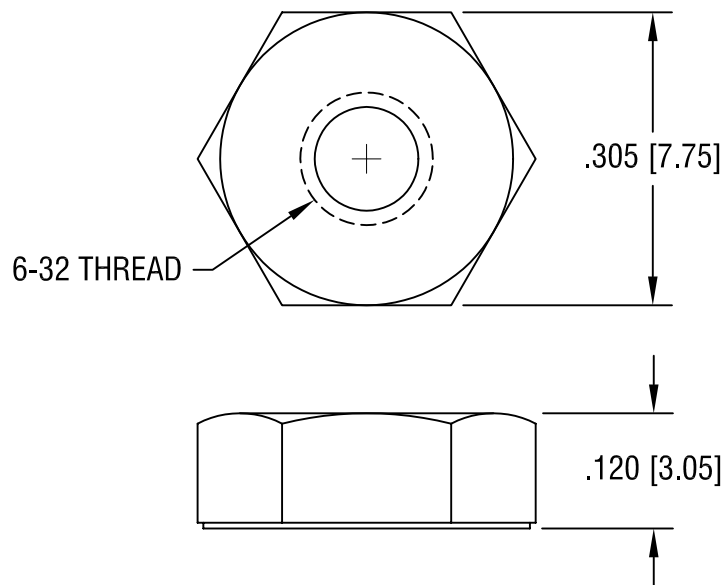


THIS DOCUMENT IS THE PROPERTY OF
KEYSTONE ELECTRONICS CORP. AND
SHALL NOT BE REPRODUCED, DISTRIBUTED
OR USED AS A BASIS FOR MANUFACTURE
WITHOUT PRIOR WRITTEN PERMISSION
FROM KEYSTONE ELECTRONICS CORP.



| | | | |
|-----------------------------------|--|---------------|----------------|
| KEYSTONE ELECTRONICS CORP. | | | |
| ASTORIA, N.Y. 11105-2017 | | | |
| PART NAME | | NUT, 6-32 | |
| MATERIAL | | NYLON 6/6 | |
| FINISH | | DRN BY | DATE |
| - | | BOONE | 12.19.03 |
| | | APPD | SCALE |
| | | LN | 5X |
| TOLERANCES | | INCH | [MM] |
| DECIMAL | | $\pm .010$ | [± 0.25] |
| ANGULAR | | $\pm 1^\circ$ | |
| UNLESS OTHERWISE SPECIFIED | | CODE | DWG NO. |
| | | C/M | 9606 |

| | | |
|------|-------------|------|
| DATE | DESCRIPTION | REV. |
| | | |

Mouser Electronics

Authorized Distributor

Click to View Pricing, Inventory, Delivery & Lifecycle Information:

[Keystone Electronics:](#)

[9606](#)