

Customer Information Sheet

DRAWING No.: M22-713XXXX

SHEET 2 OF 2

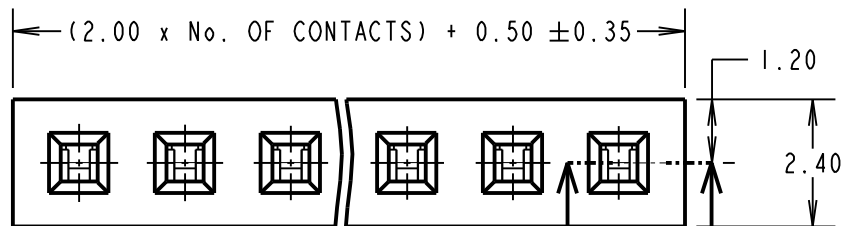
IF IN DOUBT - ASK

Ⓢ

NOT TO SCALE

THIRD ANGLE PROJECTION

ALL DIMENSIONS IN mm



Active products:

M22-7130342	M22-7131042
M22-7130442	M22-7131242
M22-7130542	M22-7131442
M22-7130642	M22-7131642
M22-7130742	M22-7131742
M22-7130842	M22-7132042
M22-7130942	M22-7132542

ORDER CODE:
M22-713XX42

No. OF CONTACTS: _____
03 TO 20 & 25

FINISH: _____
42 = GOLD FLASH ON CONTACT,
100% TIN ON TAILS

OBSOLETE
All other size/finish combinations not listed

SPECIFICATION:

MATERIAL:

MOULDING = LCP UL94V-0, BLACK

CONTACTS = PHOSPHOR BRONZE

FINISH: (OVER NICKEL)

42 = 0.76 - 1.27µ NICKEL ALL OVER,
GOLD ON CONTACT AREA,
2.54µ 100% TIN ON TAILS

MECHANICAL:

DURABILITY = 5000 CYCLES MAX

INSERTION FORCE = 2N MAX PER PIN

WITHDRAWAL FORCE = 0.2N MIN PER PIN

ELECTRICAL:

CURRENT RATING = 2A AC/DC

CONTACT RESISTANCE = 20mΩ MAX

INSULATION RESISTANCE = 1000MΩ MIN

DIELECTRIC WITHSTANDING = 500V AC FOR 1 MIN

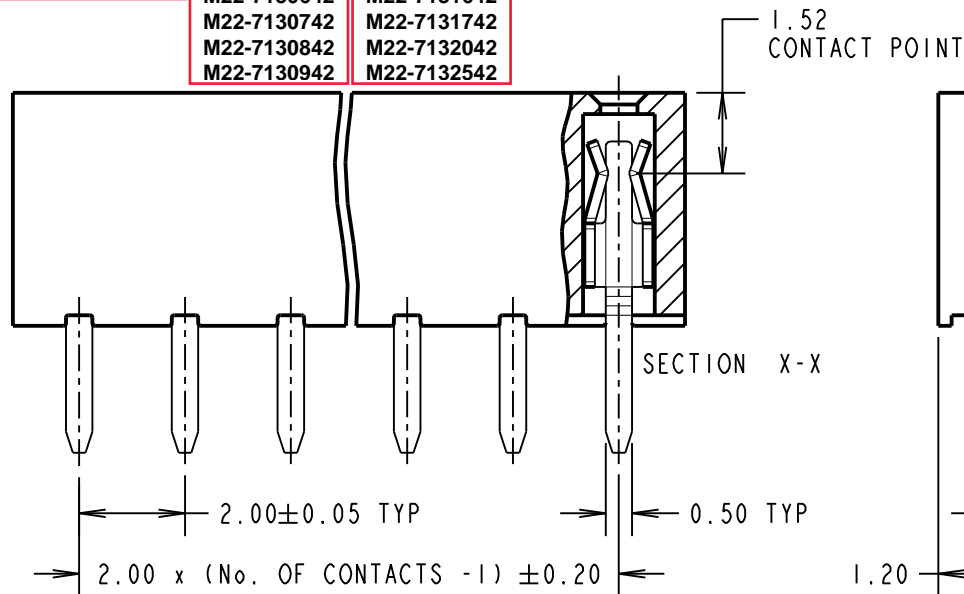
ENVIRONMENTAL:

TEMPERATURE RANGE = -25° TO +105°

PACKING:

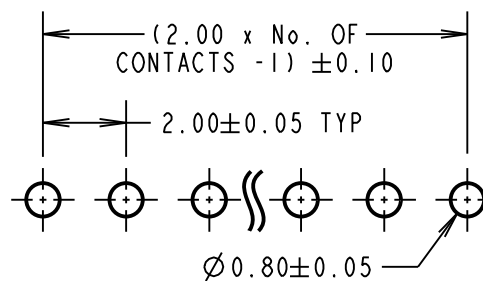
TUBE

FOR COMPLETE SPECIFICATION SEE COMPONENT SPECIFICATION C018XX (LATEST ISSUE)



NOTE:

1. ALL TOLERANCES ARE ± 0.15 , UNLESS OTHERWISE STATED.



RECOMMENDED PCB LAYOUT

MSP	9	26.10.16	13421
NAME	ISS.	DATE	C/NOTE
APPROVED:			
CHECKED:			
DRAWN:		J. EVANS	
CUSTOMER REF.:			
ASSEMBLY DRG:			

HARWIN

www.harwin.com
technical@harwin.com

THIS DRAWING AND ANY INFORMATION OR DESCRIPTIVE MATTER SET OUT HEREON ARE CONFIDENTIAL AND COPYRIGHT PROPERTY OF THE HARWIN GROUP AND MUST NOT BE DISCLOSED, LOANED, COPIED OR USED FOR MANUFACTURING, TENDERING OR FOR ANY OTHER PURPOSE WITHOUT THEIR WRITTEN PERMISSION.

TOLERANCES
X = ± 1 mm
X.X = ± 0.50 mm
X.XX = ± 0.10 mm
X.XXX = ± 0.01 mm
ANGLES = $\pm 5^\circ$
UNLESS STATED

MATERIAL:

SEE ABOVE

FINISH:

SEE ABOVE

S/AREA:

mm²

TITLE:

2.00mm PITCH SIL VERTICAL SOCKET ASSEMBLY

DRAWING NUMBER:

M22-713XXXX

SHT
2 OF 2