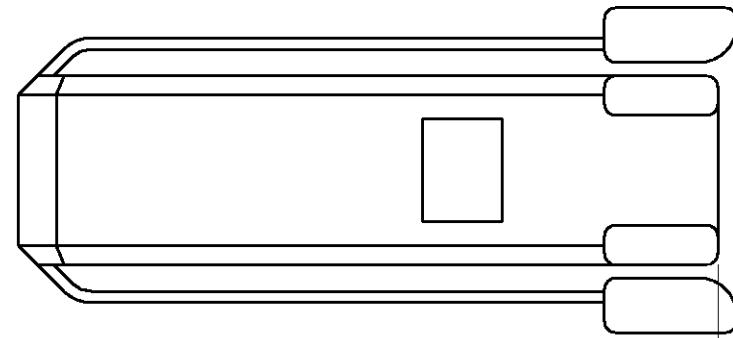


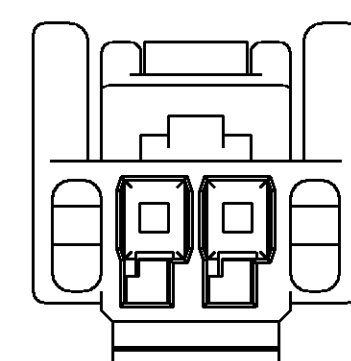
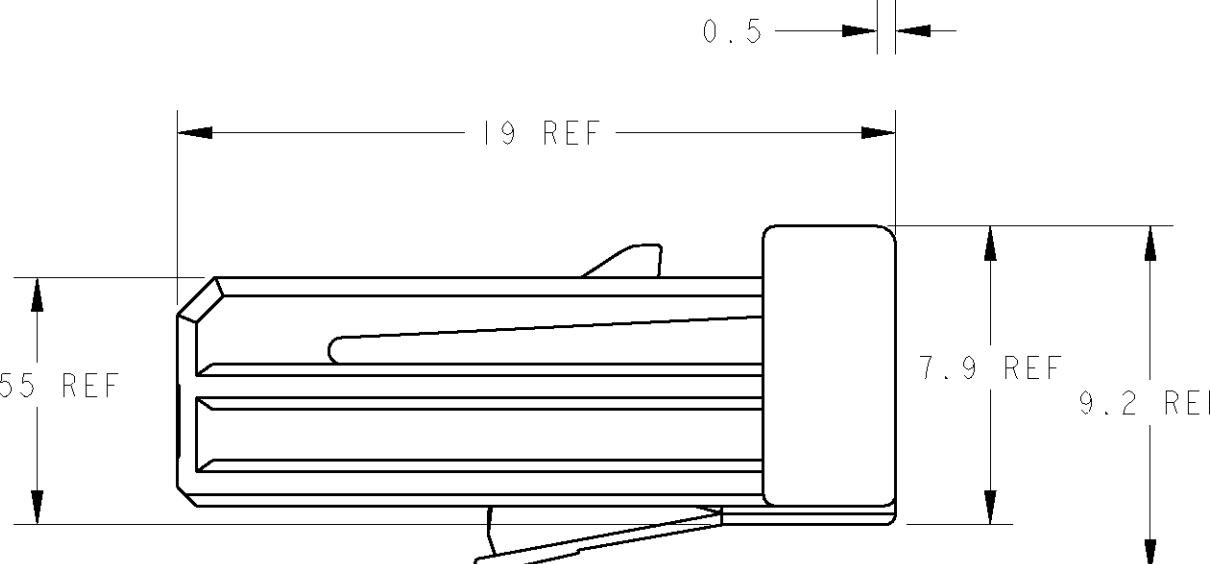
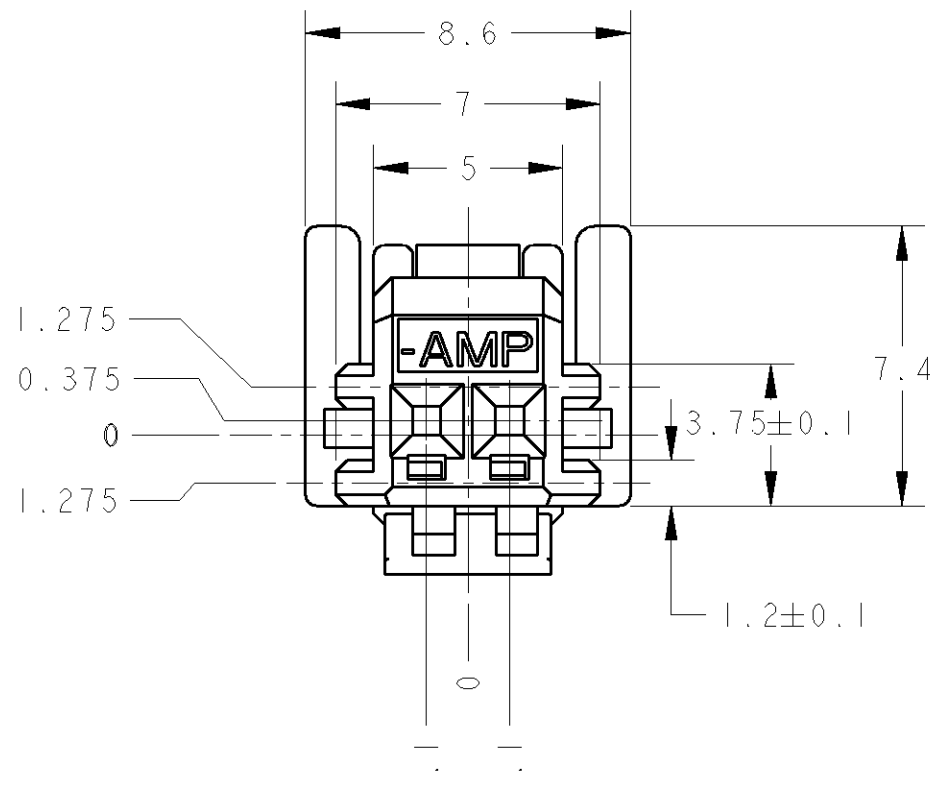
THIS DRAWING IS UNPUBLISHED. RELEASED FOR PUBLICATION 20
 © COPYRIGHT 20 BY TYCO ELECTRONICS CORPORATION. ALL RIGHTS RESERVED.

LOC	DIST	REVISIONS						
		P	LTR	DESCRIPTION	ECN	DATE	DWN	APVD
J	-	0		RELEASED	FJ00-1977-00	08FEB01	DM	NS
		01		REVISED	FJA0-0242-04	14APR04	AY	KB



1. INSTRUCTION SHEET ; 411-5933
2. DOUBLE LOCK SHOULD BE SET TO THE PRE-ASSEMBLY POSITION WITHIN THE PLUG HOUSING WHEN SHIPPED TO THE CUSTOMER.
3. DETAILS OF CAVITY ; SEE TABLE I

1. 取扱説明書 ; 411-5933
2. ダブルロックは、仮係止状態で出荷される。
3. キャビティ構成は、TABLE - I 参照。



NATURAL	1473143-2
BLACK	1473143-1
COLOR	PART NUMBER

TABLE - I

	FINISH 仕上	POS 極数	APPLIED TERMINAL AMP P/N	適用端子 AMP P/N	APPLICABLE WIRE RANGE 適用電線
SIGNAL 025	TIN	2	1123343-1		CAVS 0.22-0.5mm ² AVSS,CAVUS 0.3-0.5mm ² AVSSH-f 0.3-0.5mm ²

THIS DRAWING IS A CONTROLLED DOCUMENT FOR TYCO ELECTRONICS CORPORATION
 IT IS SUBJECT TO CHANGE AND THE CONTROLLING ENGINEERING ORGANIZATION
 SHOULD BE CONTACTED FOR THE LATEST REVISION.

DIMENSIONS: 単位: 概 mm	TOLERANCES UNLESS OTHERWISE SPECIFIED: ±0.3
	0-PLC ±
	1-PLC ±0.1
	2-PLC ±0.01
	3-PLC ±0.001
	4-PLC ±0.0001
	ANGLES ±30°
MATERIAL 材料	FINISH 仕上
PBT GF15	SEE TABLE

DWN	07-Nov-00
CHK	07-Nov-00
APVD	07-Nov-00
NAME	N.SAI
PRODUCT SPEC	108-5675
APPLICATION SPEC	114-5250
WEIGHT	0.61g
CUSTOMER DRAWING	

WIRE RANGE 包合電線断面積	INSULATION DIA 被覆外径	Tyco Electronics AMP K.K. Kawasaki, Japan	
NAME 名称 025 SERIES CONNECTOR 2POSITION PLUG HOUSING			
SIZE	CAGE CODE	DRAWING NO 番号	RESTRICTED TO
A3	00779	1473143	-
SCALE 尺度		SHEET	REV
5:1		1 OF 1	01

Mouser Electronics

Authorized Distributor

Click to View Pricing, Inventory, Delivery & Lifecycle Information:

[TE Connectivity:](#)

[1473143-2](#)