

(2.00 mm) .0787"

SQT SERIES

COST-EFFECTIVE RUGGED SOCKETS

SPECIFICATIONS

For complete specifications see www.samtec.com?SQT

- Insulator Material:** Black Liquid Crystal Polymer
- Contact Material:** Phosphor Bronze
- Plating:** Sn or Au over 50 μ" (1.27 μm) Ni
- Current Rating (TMMH/SQT):** 5.1 A per pin (2 pins powered)
- Voltage Rating:** 281 VAC mated with TMM; 250 VAC mated with TMMH
- Operating Temp Range:** -55 °C to +125 °C
- Insertion Depth:** (2.62 mm) .103" to (5.03 mm) .198"
- Normal Force:** 60 grams (0.59 N) average
- Max Cycles:** 100 with 10 μ" (0.25 μm) Au
- RoHS Compliant:** Yes
- Lead-Free Solderable:** Yes

Board Mates:

TMMH, TMM, MTMM, MMT, TW, LTMM, ZLTMM, ESQT, PTT, TSH

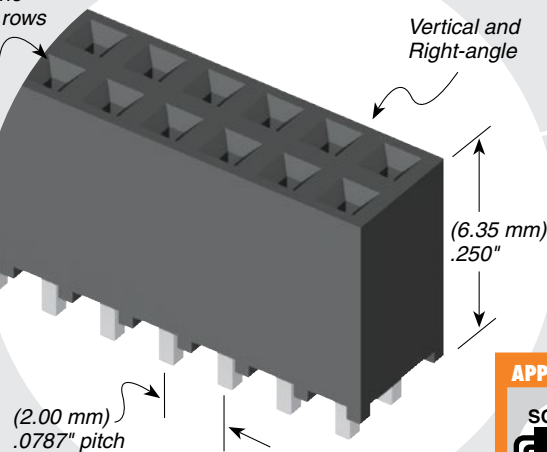
Cable Mates:

TCMD



Choice of one through six rows

Vertical and Right-angle

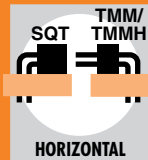


HIGH-SPEED CHANNEL PERFORMANCE

Rating based on Samtec reference channel. For full SI performance data visit Samtec.com or contact SIG@samtec.com

4 Gbps

APPLICATIONS



RECOGNITIONS

For complete scope of recognitions see www.samtec.com/quality



Note: Some lengths, styles and options are non-standard, non-returnable.



02 thru 50

Specify LEAD STYLE from chart

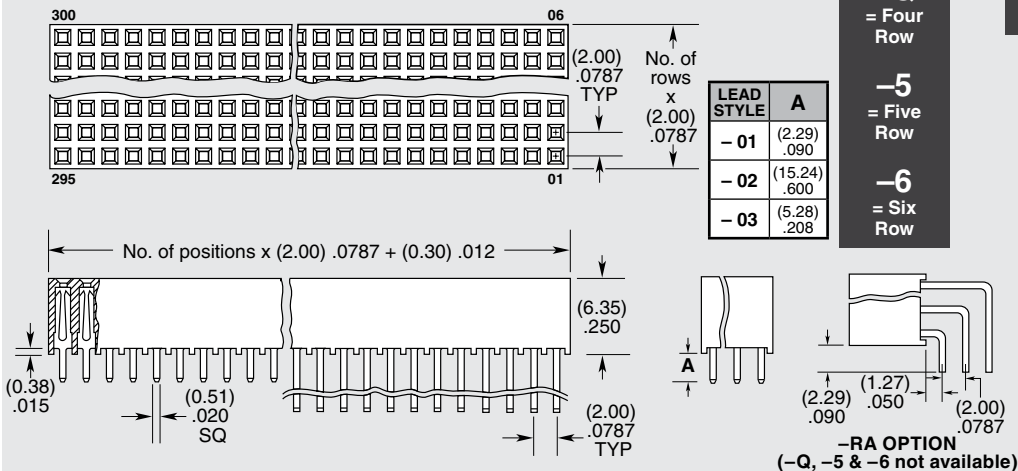
- F = Gold flash on contact, Matte Tin on tail
- L = 10 μ" (0.25 μm) Gold on contact, Matte Tin on tail

- S = Single Row
- D = Double Row
- T = Triple Row
- Q = Four Row
- 5 = Five Row
- 6 = Six Row

- RA = Right-angle (-Q, -5 & -6 Row not available) (Lead Style -01 only)
- "XXX" = Polarized Position (Indicate position number)

Other Solutions

- Elevated** See ESQT Series.
- Surface Mount** See SQW and TLE Series.
- Low Profile** See CLT Series.
- High Reliability** See SMM Series.
- Press-fit** See PTF Series.



Due to technical progress, all designs, specifications and components are subject to change without notice.

WWW.SAMTEC.COM

All parts within this catalog are built to Samtec's specifications. Customer specific requirements must be approved by Samtec and identified in a Samtec customer-specific drawing to apply.

Mouser Electronics

Authorized Distributor

Click to View Pricing, Inventory, Delivery & Lifecycle Information:

Samtec:

[SQT-108-01-L-D](#) [SQT-109-01-F-S](#) [SQT-120-01-L-D-RA](#) [SQT-110-01-L-S](#) [SQT-125-01-L-D](#) [SQT-105-01-L-D-RA](#)
[SQT-110-01-L-D](#) [SQT-117-01-L-D](#) [SQT-120-01-L-D](#) [SQT-116-01-F-D-RA](#) [SQT-104-01-L-S](#) [SQT-113-01-L-D](#) [SQT-120-01-L-S](#) [SQT-114-01-L-S](#) [SQT-105-01-L-D](#) [SQT-125-01-L-S-RA](#) [SQT-105-03-L-D](#) [SQT-111-01-F-S](#) [SQT-115-01-L-D-RA](#) [SQT-109-01-L-S](#) [SQT-125-01-F-D](#) [SQT-122-01-L-D](#) [SQT-110-01-L-D-RA](#) [SQT-115-01-L-D](#) [SQT-106-01-L-D](#)
[SQT-103-01-L-D](#) [SQT-104-01-F-S](#) [SQT-102-01-F-S](#) [SQT-104-01-L-D](#) [SQT-115-01-L-S](#) [SQT-105-01-F-S](#) [SQT-116-01-L-S](#) [SQT-118-01-L-S](#) [SQT-102-01-L-S](#) [SQT-108-01-F-D](#) [SQT-103-03-L-S](#) [SQT-104-01-F-D](#) [SQT-130-01-F-Q](#) [SQT-127-01-L-D](#) [SQT-105-01-F-D](#) [SQT-102-01-F-D-RA](#) [SQT-122-01-L-S-RA](#) [SQT-121-01-L-D-RA](#) [SQT-132-01-L-D](#) [SQT-102-01-L-S-RA](#) [SQT-103-03-L-D](#) [SQT-120-01-L-S-RA](#) [SQT-110-01-L-S-RA-007](#) [SQT-114-01-L-D](#) [SQT-132-01-F-D](#) [SQT-103-01-L-D-RA](#) [SQT-106-01-LM-S-RA](#) [SQT-108-03-L-D](#) [SQT-111-01-L-D](#) [SQT-107-01-L-S-RA](#) [SQT-104-01-LM-D-RA](#) [SQT-118-01-L-D-RA](#) [SQT-118-01-F-D](#) [SQT-135-01-L-D](#) [SQT-105-03-F-D](#) [SQT-105-03-G-D](#) [SQT-110-03-L-D](#) [SQT-109-01-LM-S](#) [SQT-125-01-F-D-RA](#) [SQT-117-01-F-D](#) [SQT-122-01-FM-D-RA](#) [SQT-116-01-L-D](#) [SQT-105-01-L-S-RA](#) [SQT-103-01-F-S-RA](#) [SQT-111-01-L-S](#) [SQT-122-01-F-D-RA](#) [SQT-150-01-L-S-RA](#) [SQT-117-01-F-S](#) [SQT-126-01-F-D-RA](#) [SQT-127-01-L-D-RA](#) [SQT-115-01-F-D-RA](#) [SQT-103-01-F-S](#) [SQT-107-01-F-S](#) [SQT-110-01-LM-S](#) [SQT-113-01-F-D](#) [SQT-125-01-L-D-RA](#) [SQT-132-01-L-S](#) [SQT-148-01-L-S](#) [SQT-134-01-FM-T](#) [SQT-106-01-LM-D](#) [SQT-113-01-F-S](#) [SQT-145-01-F-D](#) [SQT-110-01-LM-D](#) [SQT-112-01-L-S](#) [SQT-112-01-F-D-010](#) [SQT-131-01-F-S](#) [SQT-121-01-L-D](#) [SQT-132-01-F-D-RA](#) [SQT-133-01-F-D-RA](#) [SQT-110-03-L-T](#) [SQT-110-03-F-D](#) [SQT-116-01-F-S](#) [SQT-123-01-F-D-RA](#) [SQT-110-01-L-S-RA-003](#) [SQT-105-01-LM-D](#)