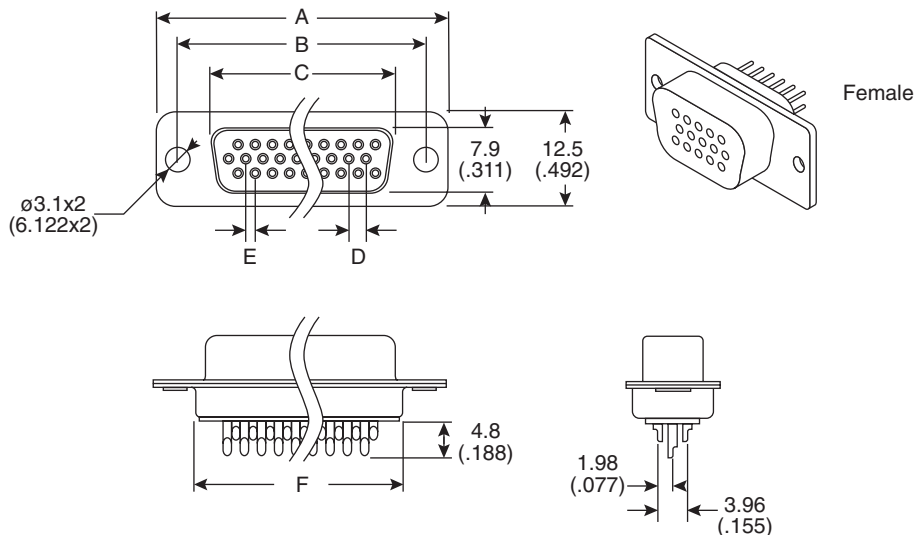


# High Density D-Sub Connectors Female

156-1915-E, 156-1926-E



High Density D-Sub Connectors Female



Dimensions: mm (in.)

Mouser Stock No.	No. of pins	A	B	C	D	E	F
156-1915-E	15	16.30	25.00	30.8	2.29	1.14	19.2
156-1926-E	26	24.60	33.30	39.2	2.29	1.14	27.7

## SPECIFICATIONS

<b>Contact current rating:</b>	3 amperes
<b>Contact resistance:</b>	15 MΩ Max. @ 500VDC
<b>Operating temperature:</b>	-55°C to +105°C
<b>Dielectric withstanding voltage:</b>	1000 VAC/Minute.
<b>Insulator</b>	Thermal Plastic
<b>Contacts</b>	Copper Alloy
<b>Shell</b>	Steel
<b>Rivet, Boardlock</b>	Copper Alloy
<b>Underplate</b>	50μ" Nickel
<b>Contact Area</b>	1μ"~30μ" Selective Gold
<b>Solder Tails</b>	100μ" Tin/Lead Free (Brighten Tin/Matte Tin)
<b>RoHS Compliant</b>	

Date Last Revised: 6-29-12

Available from Mouser Electronics  
1-800-346-6873 / [www.mouser.com](http://www.mouser.com)

KC- 301145

156-1915-E, 156-1926-E

# Mouser Electronics

Authorized Distributor

Click to View Pricing, Inventory, Delivery & Lifecycle Information:

[Kobiconn:](#)

[156-1926-E](#) [156-1915-E](#)