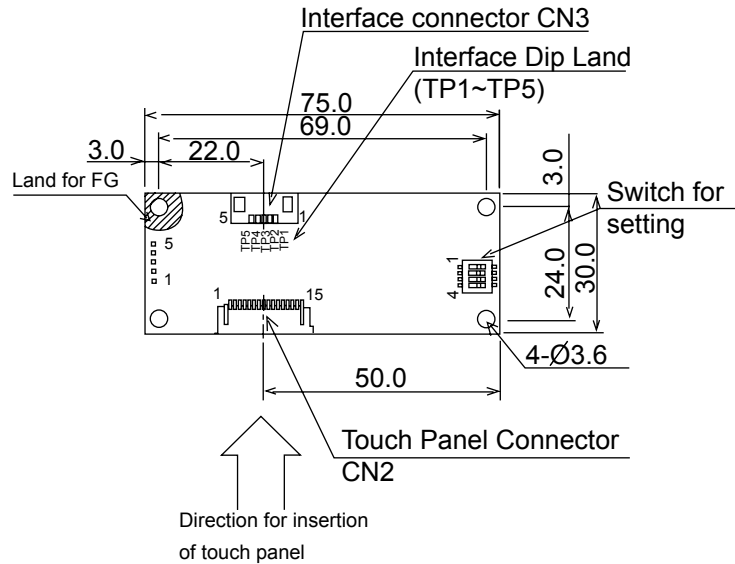


# TOUCH PANEL CONTROL BOARD 7-WIRE SERIAL

## N16B-0558-B280 Serial Interface Controller Board Quick Reference

### 7-Wire Resistive Touch Panels



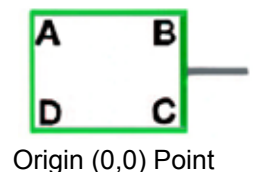
#### ■ FEATURES

- High quality and reliability touch panel control board with switch selectable cable tail exit direction.
- RS232C Interface for direct connection to PC serial interfaces.
- Used to control the 7-wire resistive touch panels (in PnP or non-PnP mode).
- RoHS compliant

#### ■ SWITCH SETTINGS

|     |                                     |    |  |     |  |     |  |     |  |
|-----|-------------------------------------|----|--|-----|--|-----|--|-----|--|
| SW1 | Orientation mode selection switches | ON |  | OFF |  | ON  |  | OFF |  |
| SW2 |                                     | ON |  | ON  |  | OFF |  | OFF |  |

SW3: PnP setting: SW3 ON is PnP enable, SW3 OFF is PnP disable



#### ■ CONSTRUCTION

| Specification Item |                            | N16B-0558-B280 7-Wire Serial Control Board             |
|--------------------|----------------------------|--|
| Mechanical         | Size / Weight              | 75mm x 30mm / 30g                                      |
| Electrical         | Supply voltage(max./min.)  | Vcc 5.5V at Vss=6V/Vcc is 4.5V at Vss=0.3V             |
|                    | Operating current (detect) | 57 mA at Vcc = 5V and T = 25 degrees                   |
|                    | Sleep Mode current1        | 16 mA at Vcc = 5V and T = 25 degree s                  |
| Environment        | Operating Temperature      | -5° C to +60° C  |
|                    | Storage Temperature        | -30° C to +70° C                                       |
|                    | Humidity                   | 20%RH to 85% RH at +38° C maximum wet bulb temperature |

# Serial 7-Wire Control Board

■ TOUCH PANEL CONNECTION CN2 (FCI: SFW15R-1STAE1-LF)

■ INTERFACE CONNECTION CN3 (Molex: 53398-0571)

|    |               | -B280 | Host |
|----|---------------|-------|------|
| 1. | +5V (Vcc)     | 1+5V  | +5V  |
| 2. | Transmit data | 2 TXD | RXD  |
| 3. | Receive data  | 3 RXD | TXD  |
| 4. |               | 4 CTS | RTS* |
| 5. | Ground        | 5 Gnd | Gnd  |

\* optional: used for plug-n-play detection

Complete specification document is available on request for customers with whom we have an approved NDA in place.

## Fujitsu Components International Headquarter Offices

### Japan

Fujitsu Component Limited  
Gotanda-Chuo Building  
3-5, Higashigotanda 2-chome, Shinagawa-ku  
Tokyo 141, Japan  
Tel: (81-3) 5449-7010  
Fax: (81-3) 5449-2626  
Email: [promothq@ft.ed.fujitsu.com](mailto:promothq@ft.ed.fujitsu.com)  
Web: [www.fcl.fujitsu.com](http://www.fcl.fujitsu.com)

### North and South America

Fujitsu Components America, Inc.  
250 E. Caribbean Drive  
Sunnyvale, CA 94089 U.S.A.  
Tel: (1-408) 745-4900  
Fax: (1-408) 745-4970  
Email: [components@us.fujitsu.com](mailto:components@us.fujitsu.com)  
Web: <http://www.fujitsu.com/us/services/edevices/components/>

### Europe

Fujitsu Components Europe B.V.  
Diamantlaan 25  
2132 WV Hoofddorp  
Netherlands  
Tel: (31-23) 5560910  
Fax: (31-23) 5560950  
Email: [info@fceu.fujitsu.com](mailto:info@fceu.fujitsu.com)  
Web: [emea.fujitsu.com/components/](http://emea.fujitsu.com/components/)

### Asia Pacific

Fujitsu Components Asia Ltd.  
102E Pasir Panjang Road  
#01-01 Citilink Warehouse Complex  
Singapore 118529  
Tel: (65) 6375-8560  
Fax: (65) 6273-3021  
Email: [fcal@fcal.fujitsu.com](mailto:fcal@fcal.fujitsu.com)  
Web: <http://www.fujitsu.com/sg/services/micro/components/>

©2006 Fujitsu Components America, Inc. All rights reserved. All trademarks or registered trademarks are the property of their respective owners.

Fujitsu Components America or its affiliates do not warrant that the content of datasheet is error free. In a continuing effort to improve our products Fujitsu Components America, Inc. or its affiliates reserve the right to change specifications/datasheets without prior notice.  
Rev. May26/2006

# Mouser Electronics

Authorized Distributor

Click to View Pricing, Inventory, Delivery & Lifecycle Information:

[Fujitsu:](#)

[N16B-0558-B280](#)