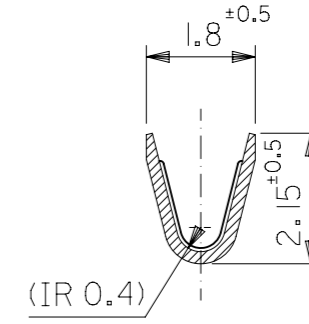
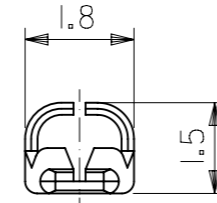
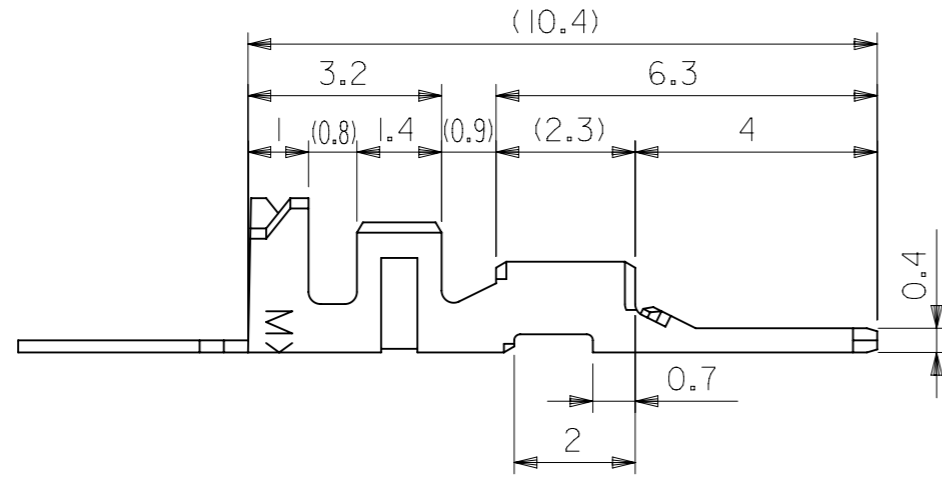


断面 A-A  
SECT.A-A

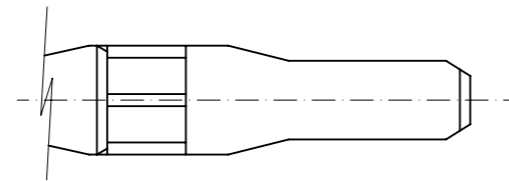


断面 B-B  
SECT.B-B



注記  
NOTICE

1. 適合ハウジングアッセンブリ:  
52116-02\*\*  
52116-03\*\*  
52116-04\*\*
1. APPLICABLE HOUSING ASSEMBLY:  
52116-02\*\*  
52116-03\*\*  
52116-04\*\*
2. 嵌合相手: 50039-8\*00  
2. MATE: 50039-8\*00



50038-8100	バラ状 LOOSE
50038-8000	連鎖状 CHAIN
MATERIAL NO.	形状 FORM

材料 MATERIAL	リン青銅 錫メッキ (+ = 0.2 ) PHOSPHOR BRONZE TIN PLATING (+ = 0.2)
適用電線範囲 WIRE RANGE	AVS-0.3/0.3F AVSS-0.3/0.3F AVSS-0.5/0.5F CAVS-0.3 CAVS-0.5 ISO-0.5 AWG #22/#20
被覆外径 INS. RANGE	φ1.4-1.9

INITIAL REVISION:

DRWN	M.ASAOKA	1996/06/10
CHECK	M.SAKANO	1996/06/10
APPR	M.ENOMOTO	2012/02/03

GENERAL TOLERANCES (UNLESS SPECIFIED)	
10 UNDER	±0.2
10 OVER 30 UNDER	±0.25
30 OVER	±0.3
ANGULAR ±3 °	

THIS DRAWING CONTAINS INFORMATION THAT IS PROPRIETARY TO MOLEX ELECTRONIC TECHNOLOGIES, LLC AND SHOULD NOT BE USED WITHOUT WRITTEN PERMISSION		CURRENT REV DESC:		<b>molex</b>	
DIMENSION UNITS	SCALE	EC NO: 629483			
mm	8:1	DRWN: MSATO08 2019/12/18		2.5 WATERPROOF CONN CRIMP PIN	
GENERAL TOLERANCES (UNLESS SPECIFIED)		CHK'D: HIJIMA 2019/12/20		PRODUCT CUSTOMER DRAWING	
ANGULAR TOL ± 3.0 °		APPR: TOSADA 2019/12/20		DOCUMENT NUMBER	
4 PLACES ± 0.2		INITIAL REVISION:		SD-50038-001	
3 PLACES ± 0.25		DRWN: SINAOKA 2012/02/02		DOC TYPE DOC PART REVISION	
2 PLACES ± 0.3		APPR: MAYAMAMOTO 2012/02/03		PSD 001 E2	
1 PLACE ±		THIRD ANGLE PROJECTION		MATERIAL NUMBER	
0 PLACES ±		DRAWING		CUSTOMER	
DRAFT WHERE APPLICABLE MUST REMAIN WITHIN DIMENSIONS		A3-SIZE		GENERAL MARKET	
		SERIES		SHEET NUMBER	
		50038		1 OF 1	

DOCUMENT STATUS	P1	RELEASE DATE	2019/12/20 08:34:20
-----------------	----	--------------	---------------------