

UMP

5mmL, Bi-Polarized



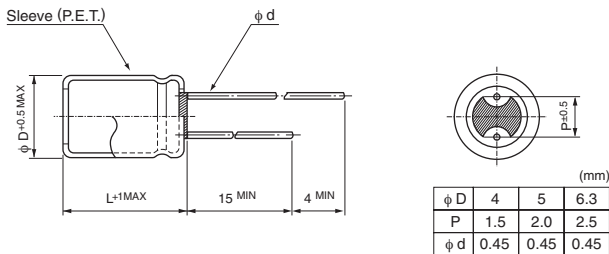
- Bi-polarized series with 5mm height.
- Compliant to the RoHS directive (2011/65/EU).



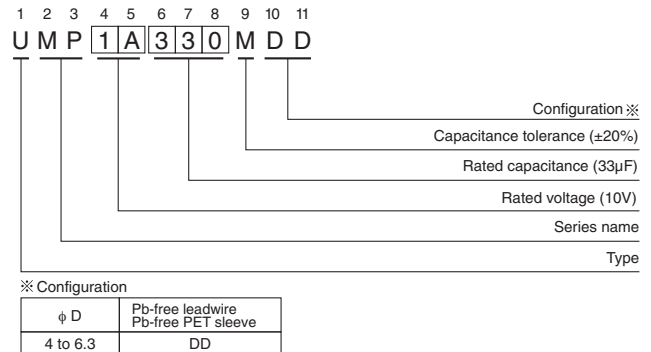
Specifications

Item	Performance Characteristics																						
Category Temperature Range	-40 to +85°C																						
Rated Voltage Range	6.3 to 50V																						
Rated Capacitance Range	0.1 to 47μF																						
Rated Capacitance Tolerance	±20% at 120Hz, 20°C																						
Leakage Current	After 2 minutes' application of rated voltage at 20°C, leakage current is not more than 0.05CV or 10 (μA), whichever is greater.																						
Tangent of loss angle (tan δ)	Measurement frequency : 120Hz at 20°C																						
	<table border="1"> <tr> <td>Rated voltage (V)</td> <td>6.3</td> <td>10</td> <td>16</td> <td>25</td> <td>35</td> <td>50</td> </tr> <tr> <td>tan δ (MAX.)</td> <td>0.24</td> <td>0.20</td> <td>0.17</td> <td>0.17</td> <td>0.15</td> <td>0.15</td> </tr> </table>	Rated voltage (V)	6.3	10	16	25	35	50	tan δ (MAX.)	0.24	0.20	0.17	0.17	0.15	0.15								
Rated voltage (V)	6.3	10	16	25	35	50																	
tan δ (MAX.)	0.24	0.20	0.17	0.17	0.15	0.15																	
Stability at Low Temperature	Measurement frequency : 120Hz																						
	<table border="1"> <tr> <td colspan="2">Rated voltage (V)</td> <td>6.3</td> <td>10</td> <td>16</td> <td>25</td> <td>35</td> <td>50</td> </tr> <tr> <td rowspan="2">Impedance ratio ZT / Z20 (MAX.)</td> <td>Z-25°C / Z+20°C</td> <td>4</td> <td>3</td> <td>2</td> <td>2</td> <td>2</td> <td>2</td> </tr> <tr> <td>Z-40°C / Z+20°C</td> <td>8</td> <td>6</td> <td>4</td> <td>4</td> <td>3</td> <td>3</td> </tr> </table>	Rated voltage (V)		6.3	10	16	25	35	50	Impedance ratio ZT / Z20 (MAX.)	Z-25°C / Z+20°C	4	3	2	2	2	2	Z-40°C / Z+20°C	8	6	4	4	3
Rated voltage (V)		6.3	10	16	25	35	50																
Impedance ratio ZT / Z20 (MAX.)	Z-25°C / Z+20°C	4	3	2	2	2	2																
	Z-40°C / Z+20°C	8	6	4	4	3	3																
Endurance	<p>The specifications listed at right shall be met when the capacitors are restored to 20°C after the rated voltage is applied for 2000 hours at 85°C with the polarity inverted every 250 hours.</p> <table border="1"> <tr> <td>Capacitance change</td> <td>Within ±20% of the initial capacitance value</td> </tr> <tr> <td>tan δ</td> <td>200% or less than the initial specified value</td> </tr> <tr> <td>Leakage current</td> <td>Less than or equal to the initial specified value</td> </tr> </table>	Capacitance change	Within ±20% of the initial capacitance value	tan δ	200% or less than the initial specified value	Leakage current	Less than or equal to the initial specified value																
Capacitance change	Within ±20% of the initial capacitance value																						
tan δ	200% or less than the initial specified value																						
Leakage current	Less than or equal to the initial specified value																						
Shelf Life	After storing the capacitors under no load at 85°C for 1000 hours and then performing voltage treatment based on JIS C 5101-4 clause 4.1 at 20°C, they shall meet the specified values for the endurance characteristics listed above.																						
Marking	Printed with white color letter on black sleeve.																						

Radial Lead Type



Type numbering system (Example : 10V 33μF)



Dimensions

Cap. (μF)	Code	V		6.3		10		16		25		35		50		
		0J	1A	1C	1E	1V	1H									
0.1	0R1													4 × 5	1.0	
0.22	R22													4 × 5	2.0	
0.33	R33													4 × 5	2.8	
0.47	R47													4 × 5	4.0	
1	010													4 × 5	8.4	
2.2	2R2												4 × 5	8.4	5 × 5	13
3.3	3R3									5 × 5	12		5 × 5	16	5 × 5	17
4.7	4R7							4 × 5	12	5 × 5	16		5 × 5	18	6.3 × 5	20
10	100			4 × 5	17	5 × 5	23	6.3 × 5	27	6.3 × 5	29					
22	220	5 × 5	28	6.3 × 5	33	6.3 × 5	37									
33	330	6.3 × 5	37	6.3 × 5	41	6.3 × 5	49									
47	470	6.3 × 5	45												Case size $\phi D \times L$ (mm)	Rated ripple

Rated ripple current (mA rms) at 85°C 120Hz

Frequency coefficient of rated ripple current

Frequency	50 Hz	120 Hz	300 Hz	1 kHz	10 kHz or more
Coefficient	0.70	1.00	1.17	1.36	1.50

Please refer to page 20, 21, 22 about the ordered or taped product spec.
Please refer to page 4 for the minimum order quantity.

Mouser Electronics

Authorized Distributor

Click to View Pricing, Inventory, Delivery & Lifecycle Information:

Nichicon:

[UMP0J470MDD](#) [UMP1A100MDD](#) [UMP1E3R3MDD](#) [UMP1E4R7MDD](#) [UMP1HR47MDD](#) [UMP1V100MDD](#)
[UMP0J220MDD](#) [UMP0J330MDD](#) [UMP1C4R7MDD](#) [UMP1E100MDD](#) [UMP1C220MDD](#) [UMP1C330MDD](#)
[UMP1H3R3MDD](#) [UMP1H4R7MDD](#) [UMP1A220MDD](#) [UMP1A330MDD](#) [UMP1C100MDD](#) [UMP1H010MDD](#)
[UMP1H0R1MDD](#) [UMP1H2R2MDD](#) [UMP1V2R2MDD](#) [UMP1V3R3MDD](#) [UMP1HR22MDD](#) [UMP1HR33MDD](#)
[UMP1V4R7MDD](#) [UMP0J220MDD1TP](#) [UMP0J470MDD1TP](#) [UMP1E100MDD1TP](#) [UMP1H010MDD1TP](#)
[UMP1H4R7MDD1TP](#) [UMP1C220MDD1TP](#) [UMP1A330MDD1TP](#) [UMP1C330MDD1TP](#) [UMP1H3R3MDD1TP](#)
[UMP1V4R7MDD1TP](#) [UMP1E3R3MDD1TP](#) [UMP1H2R2MDD1TP](#) [UMP1E4R7MDD1TP](#) [UMP1V100MDD1TP](#)
[UMP1A220MDD1TP](#) [UMP1A100MDD1TP](#) [UMP1HR47MDD1TP](#) [UMP1C4R7MDD1TP](#) [UMP1HR22MDD1TP](#)
[UMP1V3R3MDD1TP](#) [UMP1C100MDD1TP](#) [UMP1V2R2MDD1TP](#) [UMP1HR33MDD1TP](#) [UMP1H0R1MDD1TP](#)
[UMP0J330MDD1TP](#)