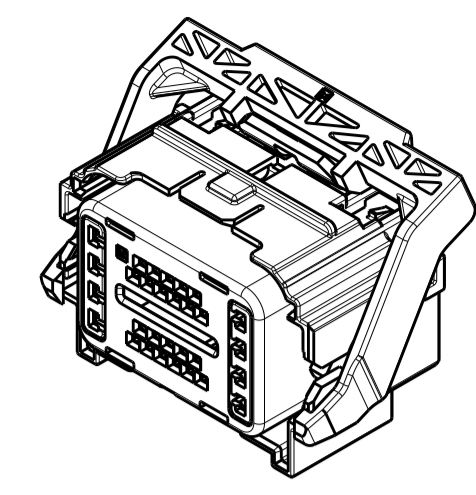
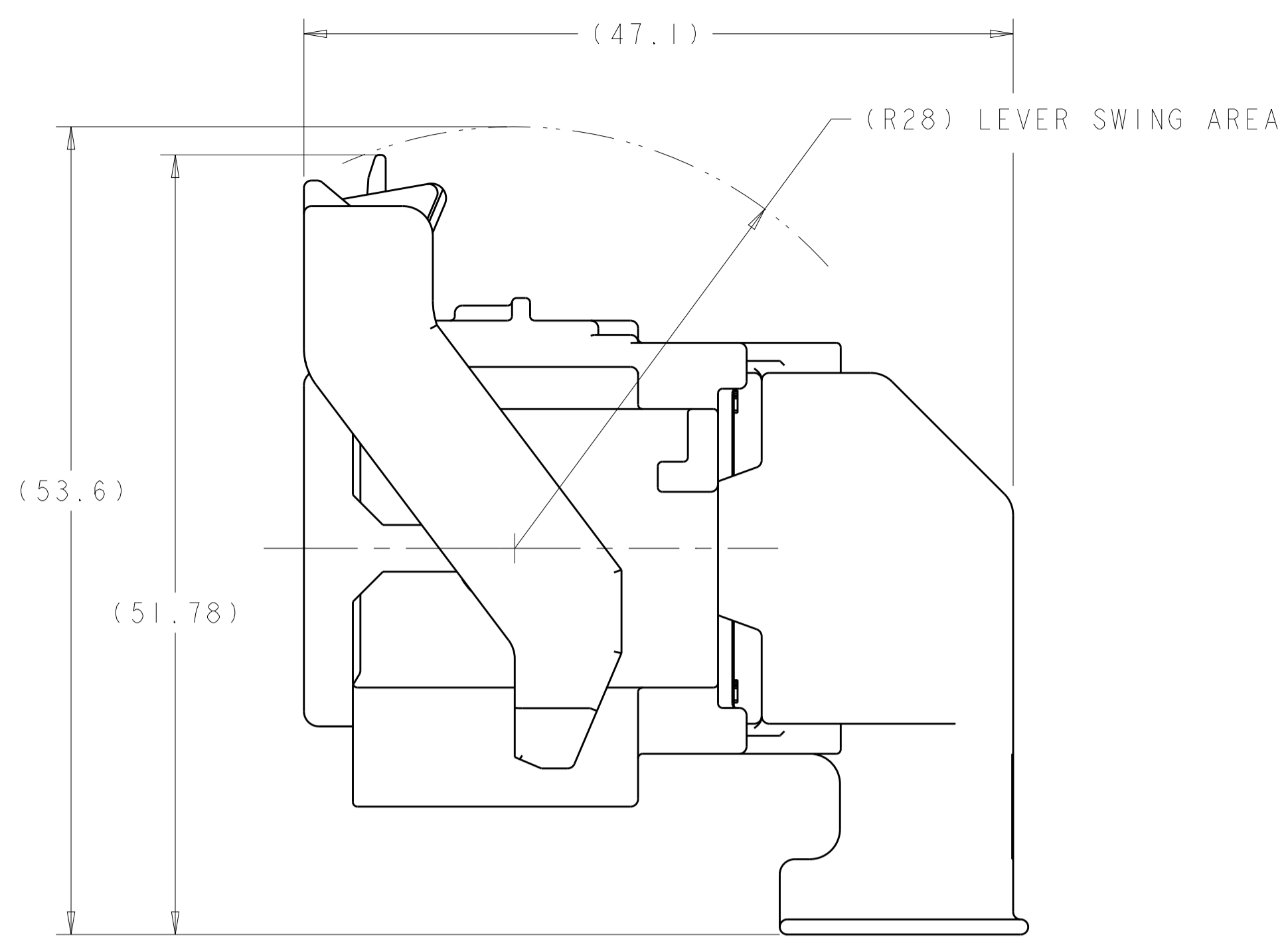
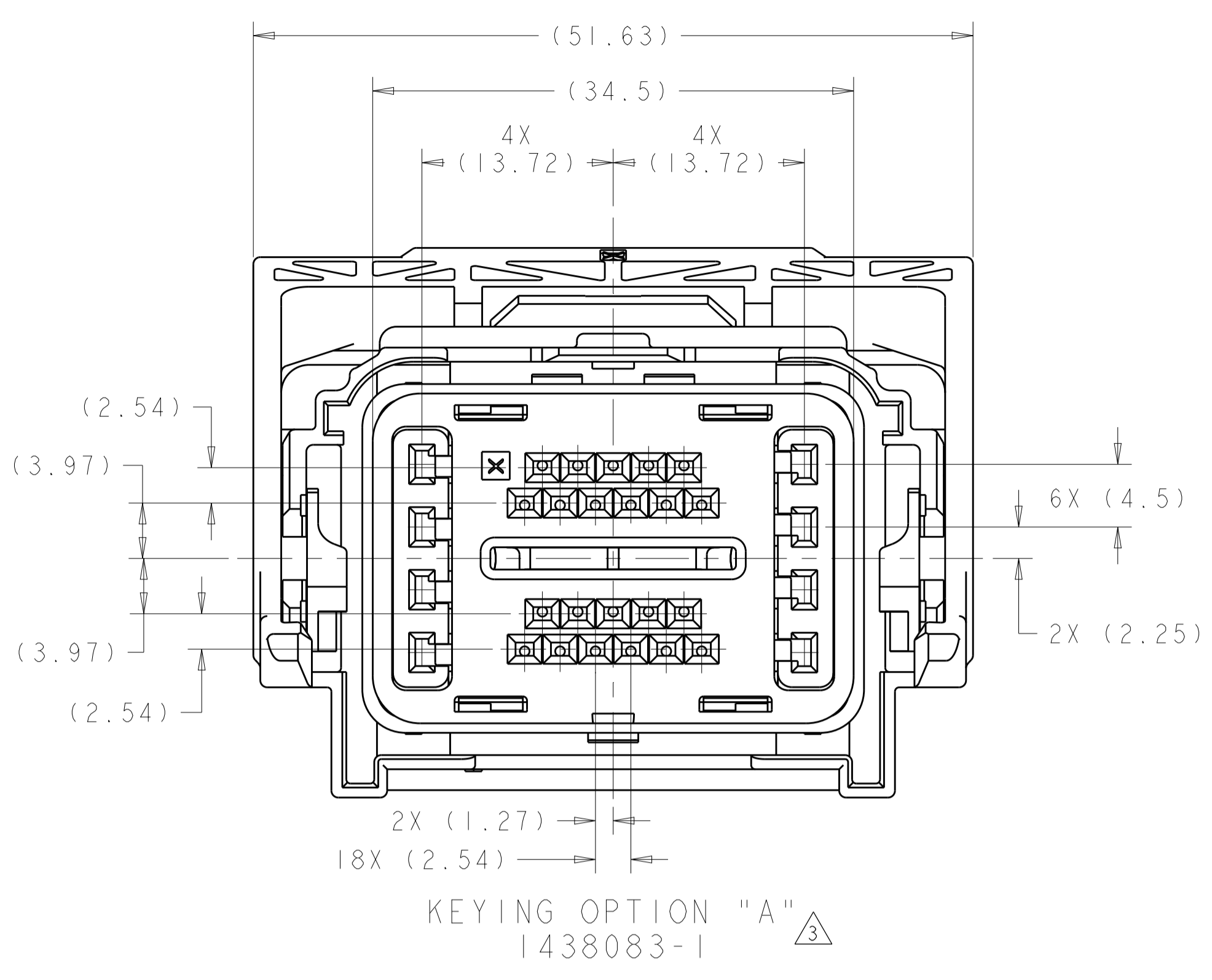


REVISIONS				
P.	LTN	DESCRIPTION	DATE	APVD
H6		REVISED PER ECO-11-018497	09SEP2011	DLD DCM
H7		REVISED PER ECO-14-015177	15OCT2014	DLD DCM
H8		REVISED PER ECO-15-011500	07AUG2015	DLD DCM



SCALE 1:1

- $\triangle$  MATERIAL:  
 HARNESS - 35% GLASS FILLED PA66, BLACK  
 ALT MAT'L - 30% GLASS FILLED sPS, BLACK
- SPACER - 40% GLASS FILLED PPS, RED  
 ALT MAT'L - 30% GLASS FILLED sPS, RED
- COVER - 35% GLASS FILLED PA66, BLACK  
 ALT MAT'L - 30% GLASS FILLED LCP, BLACK
- CAM LEVER - 35% GLASS FILLED NYLON, GRAY  
 GROMMET - SILICONE, BROWN  
 PERIMETER SEAL - SILICONE, GREEN
- 2. CAM LEVER AND SPACER ARE SHIPPED IN PRE-LATCH POSITION.
- $\triangle$  SEE PINOUT CHART FOR CLOSED CIRCUIT CONFIGURATIONS.
- $\triangle$  CAVITIES WITH A NUMERIC SYMBOL INDICATES CLOSED TERMINAL LOCATIONS.  
 BLANK CAVITIES INDICATE OPEN TERMINAL HOLE LOCATIONS.

SHOWN WITH CAM LEVER AND SPACER  
 IN LOADED POSITION WITH  
 OPTIONAL WIRESHIELD

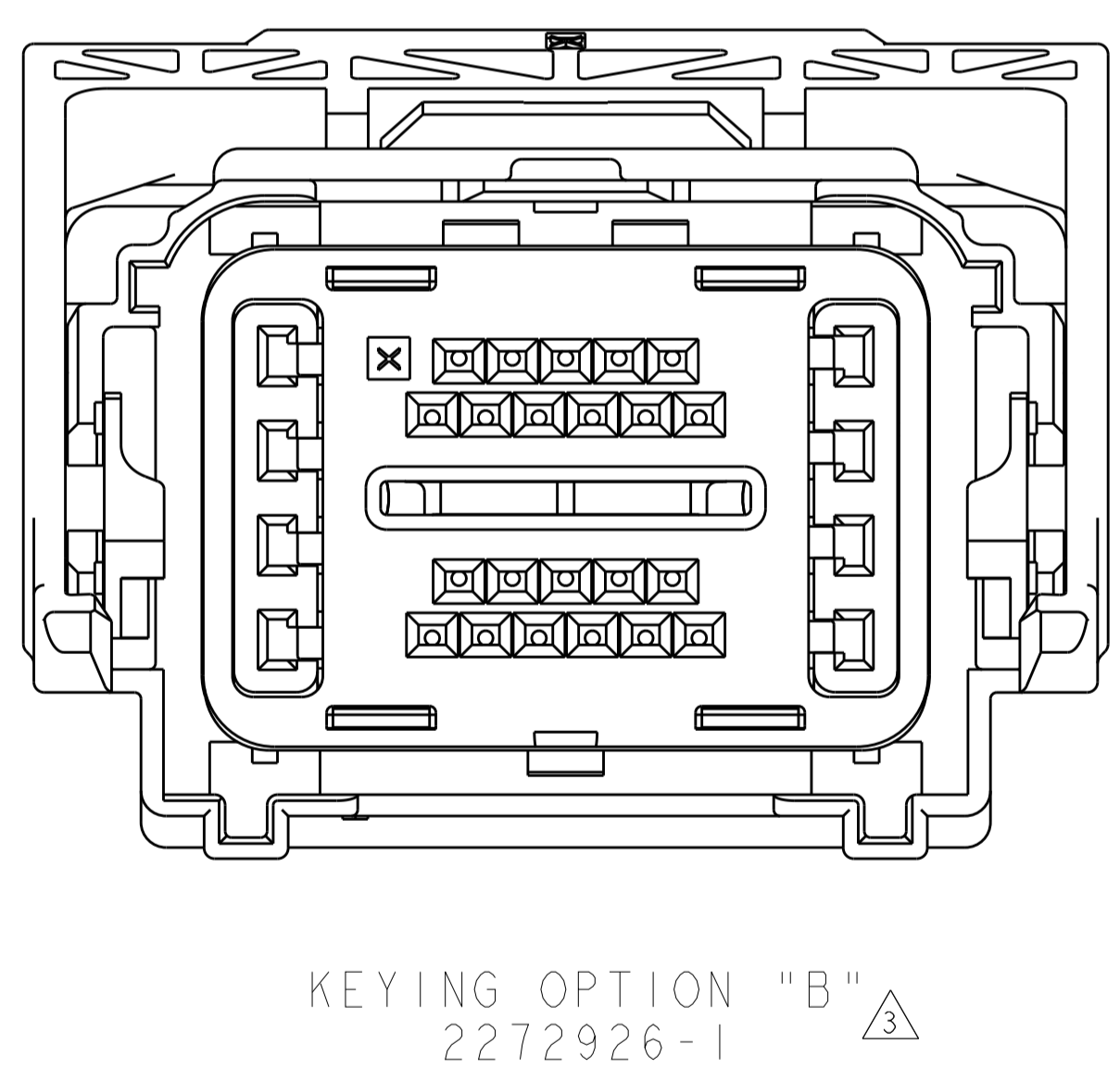
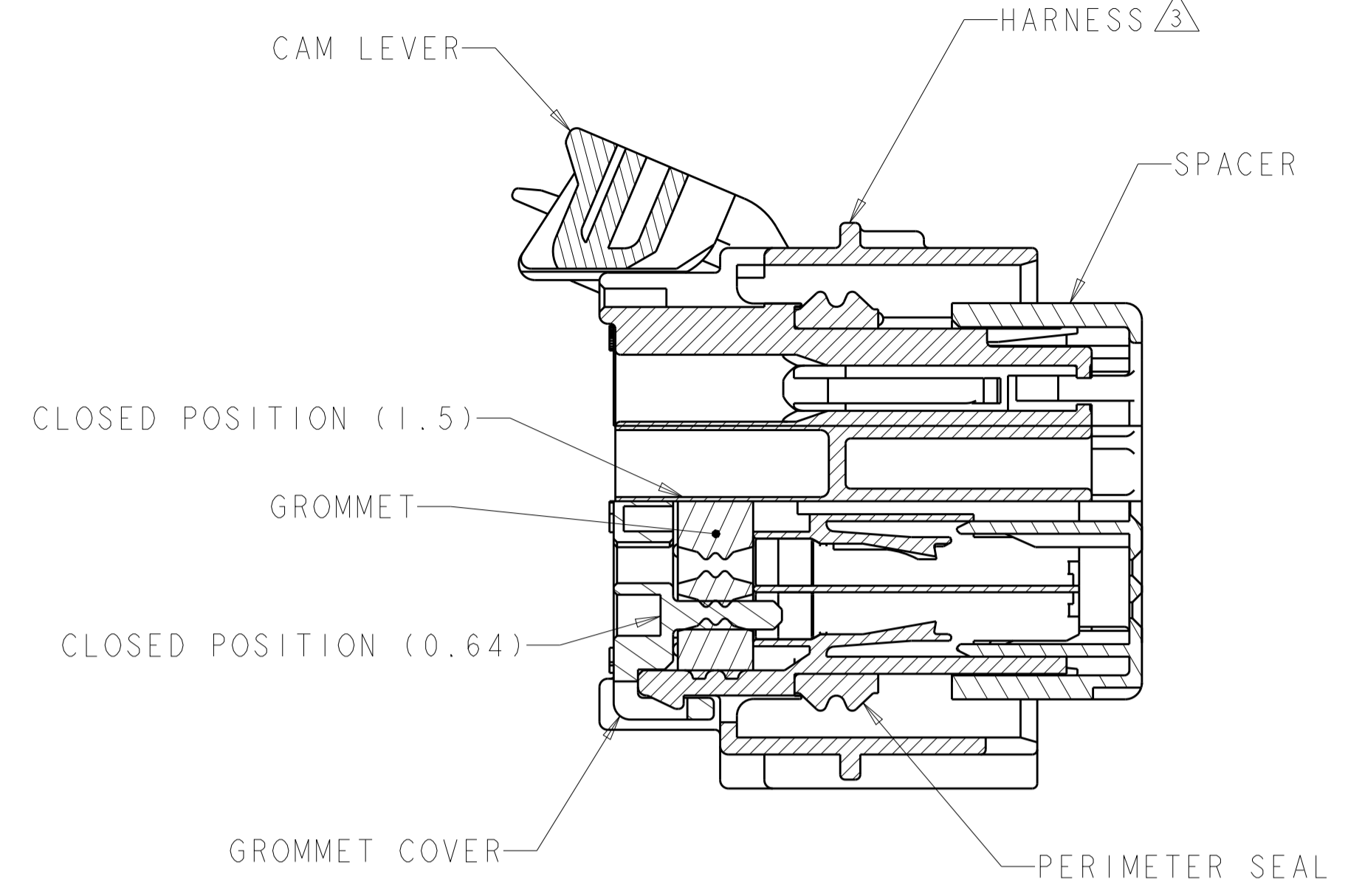
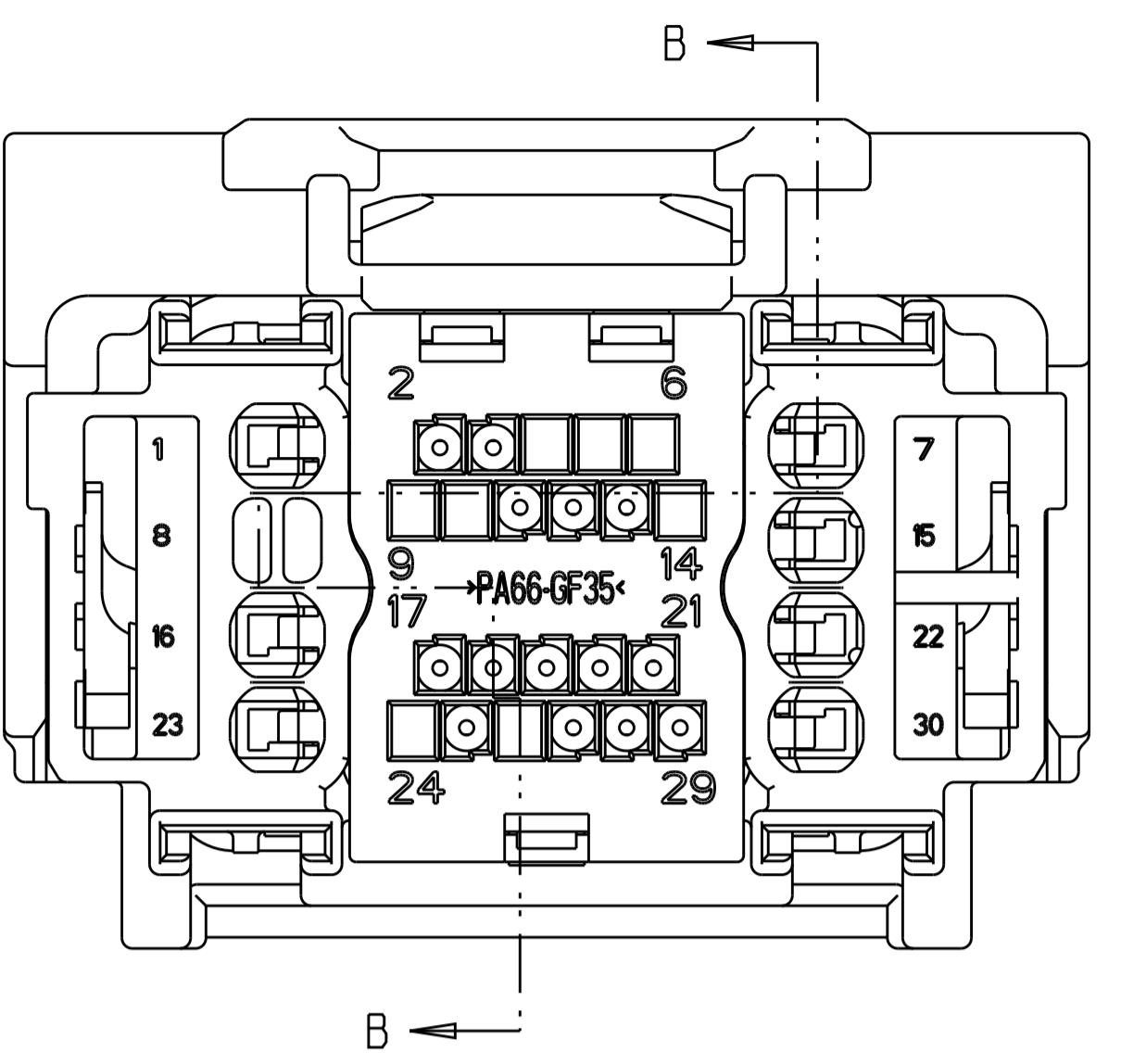


CHART FOR CLOSED CIRCUIT CONFIGURATIONS  
 SHEET 2

THIS DRAWING IS A CONTROLLED DOCUMENT.		OWN: R. VESTAL 15OCT2003	TE Connectivity														
DIMENSIONS:		CHK: D. STRAUSSER 15OCT2003															
mm	TOLERANCES UNLESS OTHERWISE SPECIFIED:	APVD: D. STRAUSSER 15OCT2003	NAME: PCM HARNESS ASSEMBLY, 30-WAY CONNECTOR														
<table border="1"> <tr><td>0 PLC</td><td>±</td></tr> <tr><td>1 PLC</td><td>±0.3</td></tr> <tr><td>2 PLC</td><td>±0.10</td></tr> <tr><td>3 PLC</td><td>±</td></tr> <tr><td>4 PLC</td><td>±</td></tr> </table>	0 PLC	±	1 PLC	±0.3	2 PLC	±0.10	3 PLC	±	4 PLC	±	<table border="1"> <tr><td>ANGLES</td><td>±</td></tr> <tr><td>FINISH</td><td>±</td></tr> </table>	ANGLES	±	FINISH	±	PRODUCT SPEC	RESTRICTED TO
0 PLC	±																
1 PLC	±0.3																
2 PLC	±0.10																
3 PLC	±																
4 PLC	±																
ANGLES	±																
FINISH	±																
MATERIAL	FINISH	APPLICATION SPEC	SIZE: A100779 C=1438083														
		WEIGHT	CUSTOMER DRAWING														
		SCALE: 3:1	SHEET 1 OF 2 REV: H8														

REVISIONS				
P.	LTN.	DESCRIPTION	DATE	APVD.
-	-	SEE SHEET 1	-	-



SECTION B-B

TERMINAL HOLE POSITION																														PART NUMBER	FORD PART NUMBER			
30	29	28	27	26	25	24	23	22	21	20	19	18	17	16	15	14	13	12	11	10	9	8	7	6	5	4	3	2	1					
										20																							2272926-3	GU5T-14A464-XA-002
										20			15	13	12																		2272926-2	GU5T-14A464-XA-001
										20			15	13	12																		2272926-1	GU5T-14A464-XA-000
PIN-OUT CHART KEYING OPTION "B" (triangle symbol)																																		

TERMINAL HOLE POSITION																														PART NUMBER	FORD PART NUMBER									
30	29	28	27	26	25	24	23	22	21	20	19	18	17	16	15	14	13	12	11	10	9	8	7	6	5	4	3	2	1											
																	15	13			10	9											4-1438083-4	2LIT-14A464-UC-040						
																	15	13			10	9												4-1438083-3	2LIT-14A464-UC-039					
								25	24	23	22	21	20	19	18	17	16	15			12	11	10	8	6	5	4	3	2	1			4-1438083-2	2LIT-14A464-UC-038						
																							10	9	8	7	6	5	4	3	2			4-1438083-1	2LIT-14A464-UC-037					
																								10	9	8	7	6	5	4	2	1			4-1438083-0	2LIT-14A464-UC-036				
																									10	9	8	6	5	4	2				3-1438083-9	2LIT-14A464-UC-035				
																										10	9	8	7	6	5	4	2	1			3-1438083-8	2LIT-14A464-UC-034		
																										10	9	8	7	6	5	4					3-1438083-7	2LIT-14A464-UC-033		
																										10	9	8	7	6	5	4	2					3-1438083-6	2LIT-14A464-UC-032	
																											10	9	8	7	6	5	4	2					3-1438083-5	2LIT-14A464-UC-031
																																						3-1438083-4	2LIT-14A464-UC-030	
																																						3-1438083-3	2LIT-14A464-UC-029	
																																						3-1438083-2	2LIT-14A464-UC-028	
																																						3-1438083-1	2LIT-14A464-UC-027	
																																						3-1438083-0	2LIT-14A464-UC-026	
																																						2-1438083-9	2LIT-14A464-UC-025	
																																						2-1438083-8	2LIT-14A464-UC-024	
																																						2-1438083-7	2LIT-14A464-UC-023	
																																						2-1438083-6	2LIT-14A464-UC-022	
																																						2-1438083-5	2LIT-14A464-UC-021	
																																						2-1438083-4	2LIT-14A464-UC-020	
																																						2-1438083-3	2LIT-14A464-UC-019	
																																						2-1438083-2	2LIT-14A464-UC-018	
																																						2-1438083-1	2LIT-14A464-UC-017	
																																						2-1438083-0	2LIT-14A464-UC-016	
																																						1-1438083-9	2LIT-14A464-UC-015	
																																						1-1438083-8	2LIT-14A464-UC-014	
																																						1-1438083-7	2LIT-14A464-UC-013	
																																						1-1438083-6	2LIT-14A464-UC-012	
																																						1-1438083-5	2LIT-14A464-UC-011	
																																						1-1438083-4	2LIT-14A464-UC-010	
																																						1-1438083-3	2LIT-14A464-UC-009	
																																						1-1438083-2	2LIT-14A464-UC-008	
																																						1-1438083-1	2LIT-14A464-UC-007	
																																						1-1438083-0	2LIT-14A464-UC-006	
																																						1438083-9	2LIT-14A464-UC-005	
																																						1438083-8	2LIT-14A464-UC-004	
																																						1438083-7	2LIT-14A464-UC-003	
																																						1438083-6	2LIT-14A464-UC-002	
																																						1438083-5	2LIT-14A464-UC-001	
																																						1438083-1	2LIT-14A464-UC-000	
PIN-OUT CHART KEYING OPTION "A" (triangle symbol)																																								

THIS DRAWING IS A CONTROLLED DOCUMENT.

DIMENSIONS: mm  
 TOLERANCES UNLESS OTHERWISE SPECIFIED:  
 0 PLC ±.3  
 1 PLC ±0.3  
 2 PLC ±0.10  
 3 PLC ±.  
 4 PLC ±.  
 ANGLES ±°  
 FINISH

MATERIAL: -  
 FINISH: -

DWN: R. VESTAL 15OCT2003	 TE Connectivity NAME: PCM HARNESS ASSEMBLY, 30-WAY CONNECTOR SIZE: A CAGE CODE: 100779 DRAWING NO: 1438083 RESTRICTED TO: -
CHK: D. STRAUSSER 15OCT2003	
APVD: D. STRAUSSER 15OCT2003	
PRODUCT SPEC: - APPLICATION SPEC: - WEIGHT: - CUSTOMER DRAWING: -	

SCALE: 3:1 SHEET 2 OF 2 REV: H8

# Mouser Electronics

Authorized Distributor

Click to View Pricing, Inventory, Delivery & Lifecycle Information:

[TE Connectivity:](#)

[2-1438083-6](#)