

# Panel Potentiometer

## Model P230



### Features:

- 24 mm rotary
- Conductive plastic element
- 500,000 cycle life
- Metal shaft
- Brass bushing



## Model Styles Available

Side Adjust , Solder Lugs

P230

### Electrical

Resistance Range, Ohms	500-1M
Standard Resistance Tolerance	± 20%
Residual Resistance	20 ohms max.
Input Voltage, maximum	500 Vac max.
Power rating, Watts	0.5W- B taper, 0.25W-others
Dielectric Strength	500Vac, 1 minute
Insulation Resistance, Minimum	100M ohms at 250Vdc
Sliding Noise	100mV max.
Actual Electrical Travel, Nominal	260°

### Mechanical

Total Mechanical Travel	300°± 10°
Static Stop Strength	70 oz-in
Rotational Torque	0.5 to 1.25 oz-in

### Environmental

Operating Temperature Range	-20°C to +70°C
Rotational Life	500,000 cycles

#### General Note

TT Electronics reserves the right to make changes in product specification without notice or liability. All information is subject to TT Electronics' own data and is considered accurate at time of going to print.

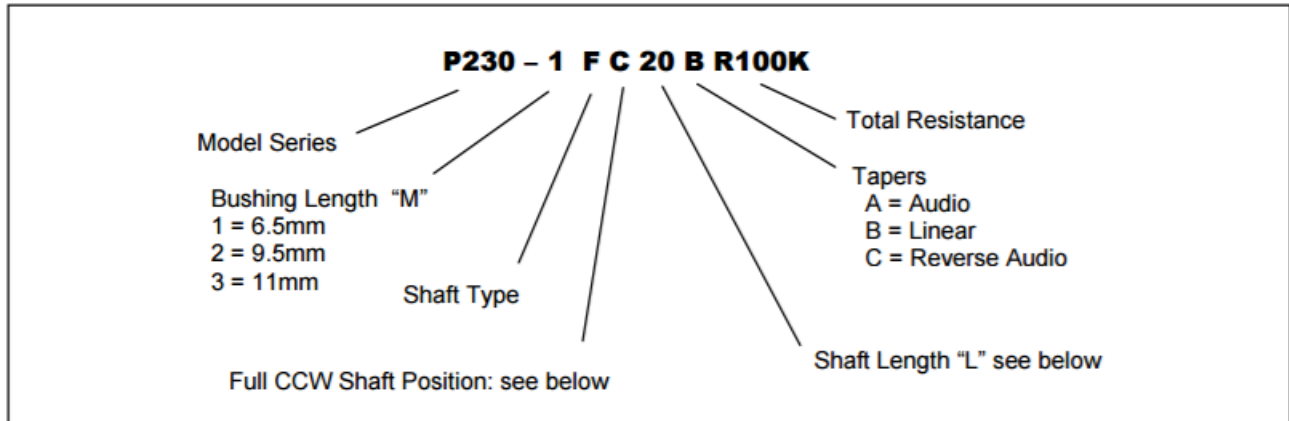
TT Electronics | BI Technologies  
4200 Bonita Place, Fullerton, CA USA 92835 | Ph: +1 714 447 2345  
www.ttelectronics.com | sensors@ttelectronics.com

# Panel Potentiometer

## Model P230



### Ordering

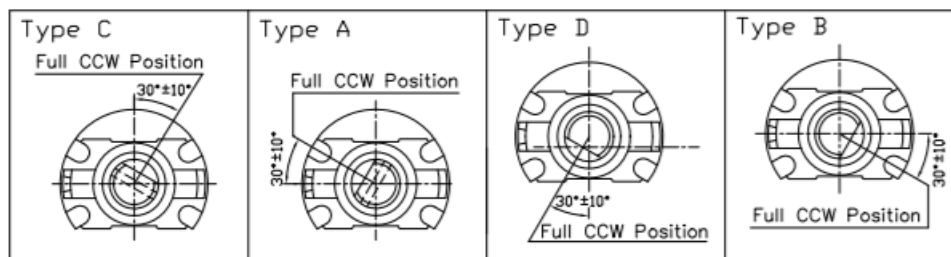


### Shaft Types

E-TYPE						F-TYPE					M-TYPE					Q-TYPE								
L	15	20	22	25	30	35	T	7	12	12	12	12	T	7.5	7.5	12	12	12	T	6	6	12	12	12

### Shaft Position (F-Type Shaft)

Dashed lines on Type "C" and Type "A" shows position of adjustment slot for E-Type shaft



### STANDARD RESISTANCE VALUES, OHMS

500    1K    2K    5K    10K    20K    50K    100K    200K    500K    1MEG

#### General Note

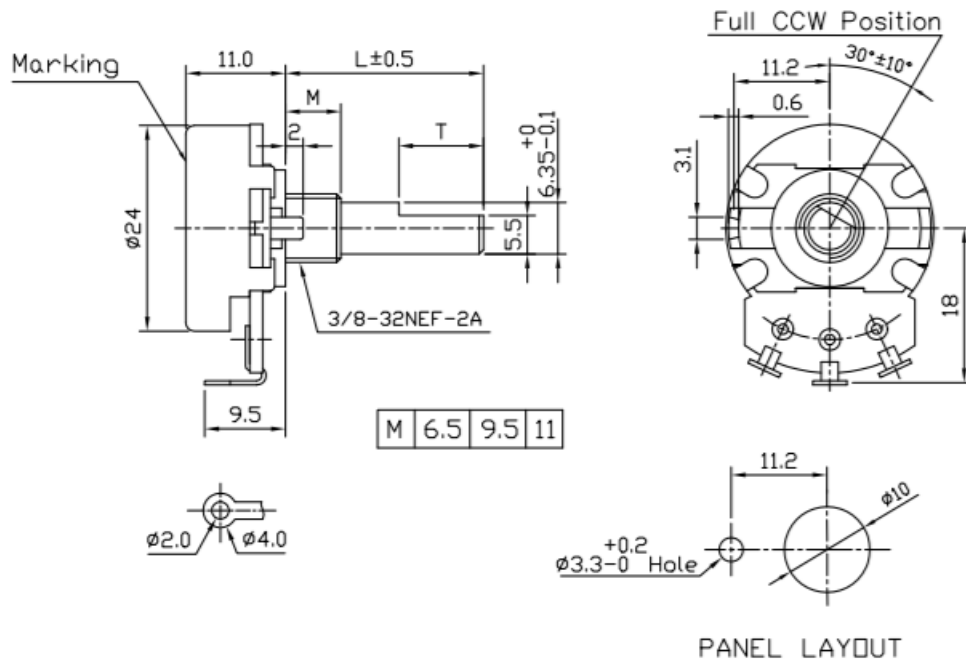
TT Electronics reserves the right to make changes in product specification without notice or liability. All information is subject to TT Electronics' own data and is considered accurate at time of going to print.

# Panel Potentiometer

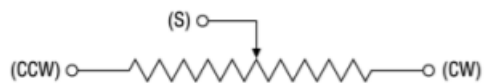
Model P230



## Outline Drawings



## CIRCUIT DIAGRAM



General Note  
TT Electronics reserves the right to make changes in product specification without notice or liability. All information is subject to TT Electronics' own data and is considered accurate at time of going to print.

TT Electronics | BI Technologies  
4200 Bonita Place, Fullerton, CA USA 92835 | Ph: +1 714 447 2345  
www.ttelectronics.com | sensors@ttelectronics.com

# Mouser Electronics

Authorized Distributor

Click to View Pricing, Inventory, Delivery & Lifecycle Information:

## TT Electronics:

[P230-DEC22BR20K](#) [P230-CEC22BR20K](#) [P230-2EC22BR20K](#) [P230-1EC20AR20K](#) [P230-3FA25BR1K](#) [P230-1EC20BR20K](#) [P230-2FA25BR10K](#) [P230-1FC25BR5K](#) [P230-1FD20BR10K](#) [P230-1FD20BR150K](#) [P230-2EC20BR10K](#) [P230-1FC15AR10K](#) [P230-2QC19BR250K](#) [P230-1EC15BR100K](#) [P230-3EC20B500K](#) [P230-2EC20AR1MEG](#) [P230-1EC15AR250K](#) [P230-3MC19BR500K](#) [P230-2EC20AR1M](#) [P230-2FC20BR500K](#) [P230-1FC20AR250K](#) [P230-2MC16CR500K](#) [P230-2MC16AR250K](#) [P230-1MC16AR250K](#) [P230-2FC15AR10K](#) [P230-2MC16BR500K](#) [P230-1FC15BR10K](#) [P230-1FC35BR100K](#) [P230-2EC20AR50K](#) [P230-1FC25BR100K](#) [P230-1FC20AR500K](#) [P230-2EC20AR500K](#) [P230-2MC16BR300K](#) [P230-1FC25AR500K](#) [P230-1EC15AR1MEG](#) [P230-2EC35BR25K](#) [P230-2FC15BR10K](#) [P230-2EC20AR250K](#)